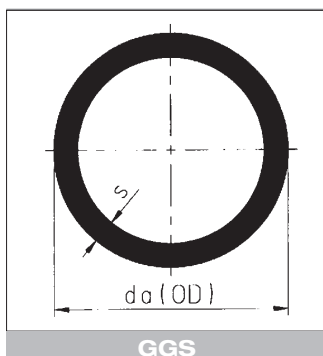


BUIS NATUREL  
TUYAU NATUREL  
PIPE NATUREL

L = 5 m

da	s	KG/ST/PC	€/M
32	2.3	0.51	133.06
50	2.3	0.82	213.93
63	2.3	1.05	273.94
90	2.3	1.51	393.95
110	2.3	1.86	485.25
160	2.3	2.72	709.63



BUIS GGS GLASDOEK GELAMINEERD  
TUYAU GGS LAMINE FIBRES DE VERRE  
PIPE GGS GLASS BACKING

L = 5 m

da	s	KG/ST/PC	€/M
32	2.3	0.61	508.12
50	2.3	0.98	585.79
63	2.3	1.25	747.18
90	2.3	1.80	945.37
110	2.3	2.21	1124.33
160	2.3	3.23	1517.47

GGS

L = 1 m

da	s	KG/ST/PC	€/M
32	2.3	0.61	612.19
50	2.3	0.98	705.75
63	2.3	1.25	900.19
90	2.3	1.80	1138.95
110	2.3	2.21	1354.54
160	2.3	3.23	1832.36

Drukloos toepasbaar van -190°C tot +205°C  
Applications sans pression de -190°C à +205°C  
Pressureless applications from -190°C to +205°C