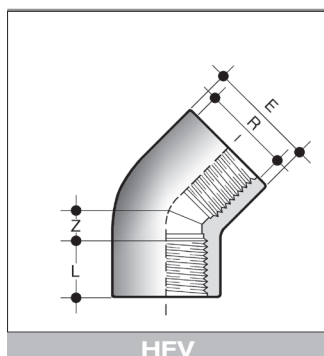


KNIEEN 90°
COUDES 90°
ELBOWS 90°

Beide zijden cilindrische binnendraad.
Deux côtés femelles à filetage cylindrique.
Both ends with interior parallel threads.

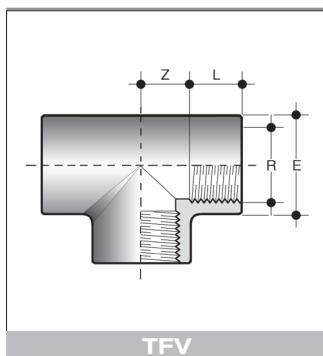
R	L	Z	E	€/ST/PC
3/8"	11.4	13	23.5	1.83
1/2"	15.0	13	28.5	1.97
3/4"	16.3	17	35.0	2.40
1"	19.1	21	43.0	2.86
1 1/4"	21.4	27	50.0	4.77
1 1/2"	21.4	36	61.0	7.02
2"	25.7	46	76.0	10.20
2 1/2"	30.2	55	90.0	25.63
3"	33.3	66	108.0	37.72
4"	39.3	80	131.0	59.66



KNIEEN 45°
COUDES 45°
ELBOWS 45°

Alle zijden cilindrische binnendraad.
Deux côtés femelles à filetage cylindrique.
All ends with interior parallel threads.

R	L	Z	E	€/ST/PC
1/2"	15.0	6.5	28	4.72
3/4"	16.3	8.0	33	4.82
1"	19.1	10.4	41	6.25
1 1/4"	21.4	15.0	50	8.20
1 1/2"	21.4	21.0	64	11.76
2"	25.7	26.0	76	17.04
2 1/2"	31.0	31.0	90	39.32
3"	33.3	39.0	107	53.50



TFV

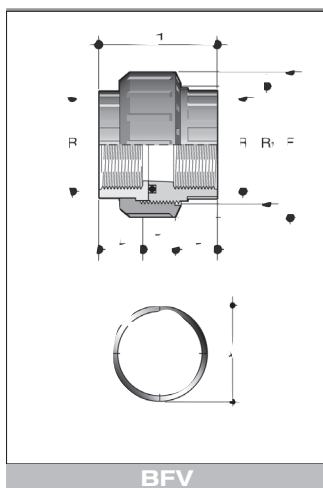
T-STUKKEN 90°

TES A 90°

TEES 90°

Alle zijden cilindrische binnendraad.
Trois côtés femelles à filetage cylindrique.
All ends with interior parallel threads.

R	L	Z	E	€/ST/PC
3/8"	11.4	13.0	23.5	2.16
1/2"	15.0	13.0	28.5	2.30
3/4"	16.3	17.0	35.0	2.97
1"	19.1	21.5	43.0	3.77
1 1/4"	21.4	27.0	50.0	5.33
1 1/2"	21.4	37.0	61.0	8.36
2"	25.7	46.0	76.0	15.62
2 1/2"	30.2	55.0	90.0	35.62
3"	33.3	66.0	109.0	50.08
4"	39.3	83.0	133.0	89.10



BFV

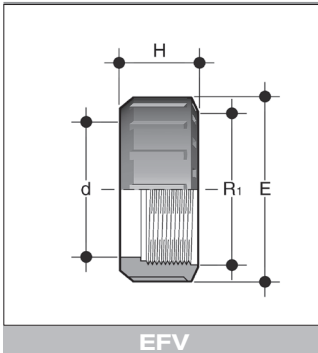
DRIEDELIGE KOPPELINGEN
RACCORDS-UNIONS 3 PIECES
SOCKET UNIONS

Beide zijden cilindrische binnendraad.
Afdichting : O-ring EPDM. Ook leverbaar met FPM-ring : zie hoofdstuk VII Toebeoren.

Deux côtés femelles à filetage cylindrique.
Etanchéité : joint torique EPDM. Egalement disponible avec joint torique FPM : voir chapitre VII Accessoires.

Both ends with interior parallel threads.
Sealing : O-ring EPDM. Also available with FPM ring : see chapter VII Accessories.

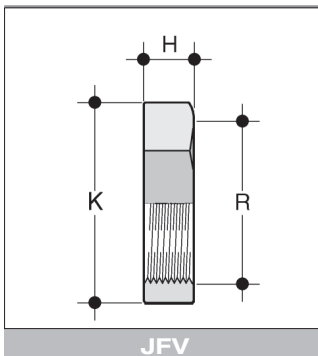
R	R1	H	L	Z	E	€/ST/PC
3/8"	3/4"	40	11.4	17.2	33	6.99
1/2"	1"	46	15.0	16.0	41	7.15
3/4"	1 1/4"	51	16.3	18.4	50	7.67
1"	1 1/2"	57	19.1	18.8	58	10.02
1 1/4"	2"	65	21.4	22.2	72	13.85
1 1/2"	2 1/4"	65	21.4	22.2	79	17.41
2"	2 3/4"	78	25.7	26.6	98	21.46



EFV

WARTELMOEREN
ECROUS FILETES
NUTS

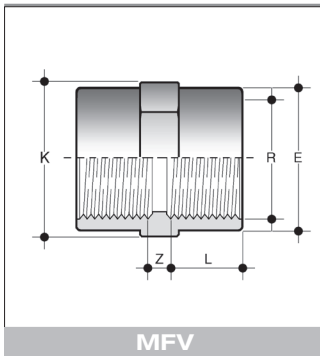
	R ₁	PN	d	H	E	€/ST/PC
3/8"	16	13	20	23	1.09	
1/2"	16	17	24	27	1.09	
3/4"	16	22	21	33	1.09	
1"	16	28	22	41	2.43	
1 1/4"	16	28	22	50	2.66	
1 1/2"	16	36	25	58	4.44	
2"	16	53	30	72	5.27	
2 1/4"	16	59	34	79	11.55	
2 1/2"	16	68	36	90	12.24	
2 3/4"	16	74	38	98	12.47	
3 1/2"	10	93	42	121	29.90	
4"	10	105	46	140	36.57	
5"	10	129	52	165	44.86	



JFV

WARTELMOEREN
ECROUS FILETES
NUTS

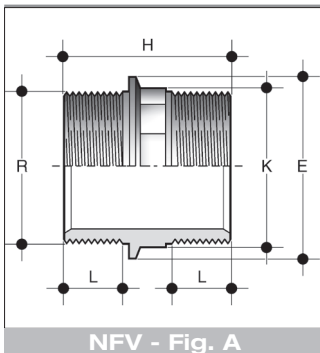
	R	H	K	€/ST/PC
1/2"	13	28	4.20	
3/4"	13	33	4.72	
1"	10	54	4.73	
1 1/4"	10	63	5.23	
1 1/2"	19	60	27.89	
2"	21	79	33.44	



SOKKEN
MANCHONS
DOUBLE SOCKETS

Beide zijden cilindrische binnendraad.
Deux côtés femelles à filetage cylindrique.
Both ends with interior parallel thread.

	R	L	Z	E	K	€/ST/PC
3/8"		11.4	8.0	23.5	24	1.93
1/2"		15.0	7.0	28.5	29	2.02
3/4"		16.3	8.5	35.0	35	2.30
1"		19.1	9.0	43.0	43	2.82
1 1/4"		21.4	11.0	50.0	50	3.54
1 1/2"		21.4	17.5	61.0	61	5.58
2"		25.7	19.5	76.0	76	7.23
2 1/2"		30.2	31.0	90.0	90	22.23
3"		33.3	40.5	108.0	108	26.92
4"		39.3	48.5	131.0	131	40.40

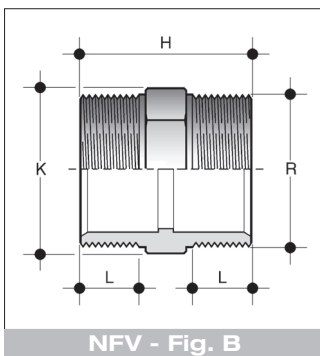


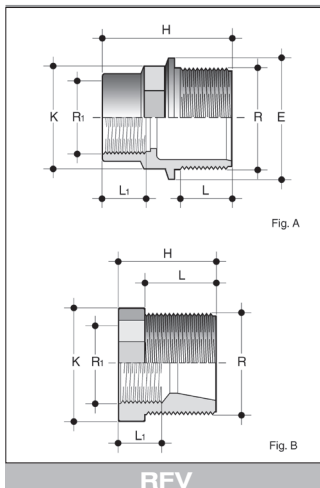
NIPPEL
MAMELON DOUBLE
NIPPLE

Beide zijden cilindrische buitendraad.
Deux côtés mâles à filetage cylindrique.
Both ends with exterior parallel thread.

Fig.	R	E	L	K	H	G/ST/PC	€/ST/PC
A	3/8"	22	11.4	18	33	5	1.67
A	1/2"	28	15.0	23	41	10	1.77
A	3/4"	34	16.3	28	45	16	1.96
A	1"	40	19.1	35	51	27	2.05
A	1 1/4"	52	21.4	44	57	40	3.11
A	1 1/2"	58	21.4	51	58	55	3.90
A	2"	70	25.7	64	68	93	5.02
B	*2 1/2"	-	30.2	80	78	150	12.45
B	*3"	-	33.3	95	85	225	24.15
B	*4"	-	39.3	120	97	380	40.13

* PN 16 met gereduceerde veiligheidsfactor
* PN 16 avec un facteur de sécurité réduit
* PN 16 with reduced safety factor

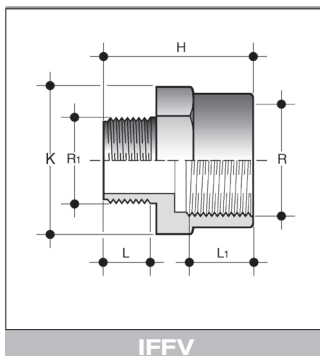




VERMINDERINGSSTUKKEN
REDUCTIONS
REDUCERS

Eén zijde cilindrische binnendraad, andere zijde cilindrische buitendraad.
Un côté femelle et un côté mâle à filetage cylindrique.
One end with interior threads, the other end with exterior parallel threads.

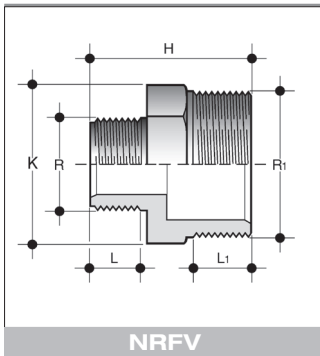
R x R ₁	L ₁	L	H	E	K	TYPE	€/ST/PC
1/2" x 3/8"	11.4	15.0	35	28	23	A	1.83
3/4" x 3/8"	11.4	16.3	36	34	28	A	1.83
3/4" x 1/2"	15.0	16.3	39	34	28	A	1.83
1" x 3/8"	11.4	19.1	41	40	35	A	2.30
1" x 1/2"	15.0	19.1	44	40	35	A	2.30
1" x 3/4"	16.3	19.1	46	40	35	A	2.30
1 1/4" x 1/2"	15.0	21.4	48	52	44	A	3.23
1 1/4" x 3/4"	16.3	21.4	49	52	44	A	3.23
1 1/4" x 1"	19.1	21.4	52	52	44	A	3.23
1 1/2" x 1/2"	15.0	21.4	52	58	51	A	4.24
1 1/2" x 3/4"	16.3	21.4	50	58	51	A	4.24
1 1/2" x 1"	19.1	21.4	55	58	51	A	4.24
1 1/2" x 1 1/4"	21.4	21.4	57	58	51	A	4.24
2" x 3/4"	16.3	25.7	60	70	64	A	6.02
2" x 1"	19.1	25.7	63	70	64	A	6.02
2" x 1 1/4"	21.4	25.7	65	70	64	A	6.02
2" x 1 1/2"	21.4	25.7	65	70	64	A	6.02
2 1/2" x 2"	25.7	30.2	56	-	80	B	16.24
3" x 2"	25.7	33.3	66	-	93	B	25.50
3" x 2 1/2"	30.2	33.3	66	-	93	B	25.50
4" x 3"	33.3	39.3	79	-	118	B	40.45



VERMINDERINGSSTUKKEN
REDUCTIONS
REDUCERS

Met uitwendige en inwendige cilindrische draad.
Mâle et femelle à filetage cylindrique.
One end with interior parallel threads, other end with exterior parallel threads.

R ₁ x R	L	L ₁	H	K	€/ST/PC
1/2" x 3/4"	15.0	16.3	41.0	36	3.28
1/2" x 1"	15.0	15.1	43.5	46	3.49
3/4" x 1"	16.3	19.1	45.0	46	3.49
1" x 1 1/4"	19.1	21.4	55.0	55	5.09
1 1/4" x 1 1/2"	21.4	21.4	62.0	65	6.70
1 1/2" x 2"	21.4	25.7	69.0	80	11.75
2" x 2 1/2"	25.7	30.2	81.0	95	13.72
2 1/2" x 3"	30.2	33.3	93.0	110	22.33
3" x 4"	33.3	39.3	106.0	130	34.02

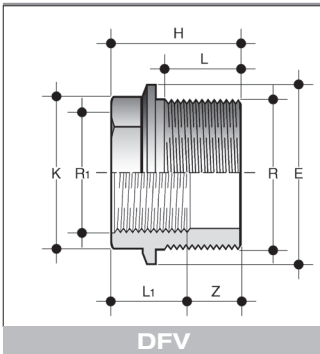


NRFV

VERMINDERINGSNIPPELS
MAMELONS DE REDUCTION
REDUCING BARREL NIPPELS

Beide zijden uitwendige cilindrische draad.
Deux côtés mâle à filetage cylindrique.
Both ends with exterior parallel thread.

R x R ₁	L	L ₁	H	K	€/ST/PC
1/2" x 3/4"	15.0	16.3	43	30	2.02
3/4" x 1"	16.3	19.1	48	36	3.14
1" x 1 1/4"	19.1	21.4	54	46	3.23
1 1/4" x 1 1/2"	21.4	21.4	57	50	4.83
1 1/2" x 2"	21.4	25.7	62	65	5.88
2" x 2 1/2"	25.7	30.2	73	80	12.98
2 1/2" x 3"	30.2	33.3	82	95	25.50
3" x 4"	33.3	39.3	90	120	38.79

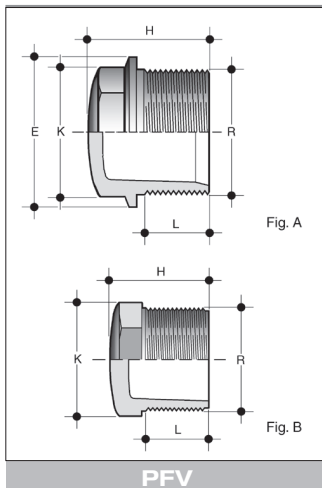


DFV

VERMINDERINGSBUSSEN
DOUILLES DE REDUCTION
REDUCING BUSHES

Met cilindrische binnen- en buitendraad.
Mâle et femelle à filetage cylindrique.
Interior and exterior parallel thread.

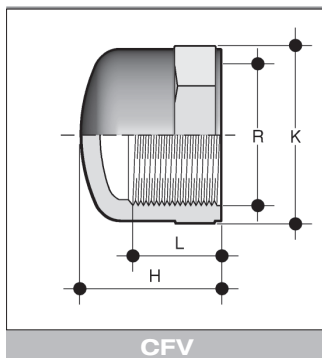
R x R ₁	L	L ₁	Z	H	E	K	€/ST/PC
1/2" x 3/8"	15.0	11.4	12.5	12.6	24.0	23	1.85
3/4" x 1/2"	16.3	15.0	11.5	11.5	26.5	28	2.16
1" x 3/4"	19.1	16.3	13.7	14.2	30.5	35	2.84
1 1/4" x 1"	21.4	19.1	14.4	14.9	34.0	44	3.63
1 1/2" x 1 1/4"	21.4	21.4	31.1	13.6	35.0	51	4.47
2" x 1 1/2"	25.7	21.4	18.6	18.6	40.0	64	6.02



DRAADSTOPPEN
BOUCHONS MALE
MALE PLUGS

Met cilindrische buitendraad.
Mâle à filetage cylindrique.
Exterior parallel threads.

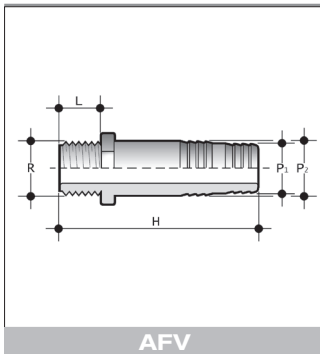
R	L	H	E	K	TYPE	€/ST/PC
3/8"	11.4	22	22	18	A	1.40
1/2"	15.0	26	28	23	A	1.57
3/4"	16.3	30	34	28	A	1.74
1"	19.1	34	40	35	A	2.02
1 1/4"	21.4	38	52	44	A	2.97
1 1/2"	21.4	40	58	51	A	3.77
2"	25.7	47	70	64	A	4.23
2 1/2"	30.2	61	-	80	B	19.37
3"	33.3	71	-	93	B	26.03
4"	39.3	87	-	118	B	58.49



AFSLUITKAPPEN
BOUCHONS
END CAPS

Met cilindrische binnendraad.
Femelle à filetage cylindrique.
Interior parallel thread.

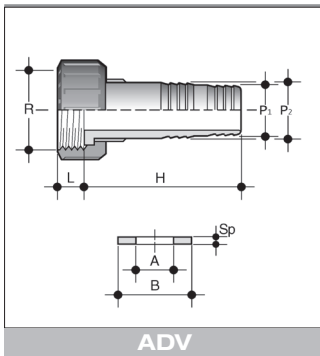
R	L	H	K	€/ST/PC
3/8"	11.4	19	23.0	1.67
1/2"	15.0	25	28.0	1.89
3/4"	16.3	27	34.0	2.46
1"	19.1	31	42.0	2.75
1 1/4"	21.4	35	51.0	3.47
1 1/2"	21.4	36	58.0	4.79
2"	25.7	42	71.0	6.25
3"	33.3	55	109.0	21.46



SLANGPILAREN
EMBOUITS CANNELES
HOSE ADAPTORS

Met cilindrische buitendraad.
Mâle à filetage cylindrique.
Exterior parallel thread.

P ₁ x P ₂ x R	L	H	€/ST/PC
12 x 14 x 1/4"	11.0	56	1.47
16 x 18 x 3/8"	11.4	58	1.70
20 x 22 x 1/2"	15.0	66	1.97
25 x 27 x 3/4"	16.3	81	2.20
30 x 32 x 1"	19.1	97	2.82
40 x 42 x 1 1/4"	21.4	104	3.77
50 x 52 x 1 1/2"	21.4	111	4.80
60 x 64 x 2"	25.7	123	7.45



SLANGPILAREN
EMBOUITS CANNELES
HOSE ADAPTORS

Aansluiting met wartelmoer met cilindrische binnendraad.
Afdichting : vlakke EPDM-ring of FPM.

Raccordement par écrou femelle à filetage cylindrique.
Etanchéité : joint plat EPDM ou FPM.

With parallel threaded nut connection.
Flat seal : EPDM or FPM.

P ₁ x P ₂ x R	L	H	€/ST/PC
12 x 14 x 1/2"	14.0	56	3.23
16 x 18 x 3/4"	11.5	60	4.24
20 x 22 x 1"	11.0	67	4.48
25 x 27 x 1 1/4"	14.0	81	5.15
30 x 32 x 1 1/2"	16.0	97	6.02
40 x 42 x 2"	18.0	104	7.90
50 x 52 x 2"	16.0	111	12.60
50 x 52 x 2 1/4"	17.5	111	12.60
60 x 64 x 2 1/2"	19.0	123	27.37
60 x 64 x 2 3/4"	20.0	123	27.37