

DRUKBUIS
 TUYAU DE PRESSION
 PRESSURE PIPE

L = 5 m

S-5 / SDR 11

D	S	KG/M	€/M
20	1.9	0.136	1.80
25	2.3	0.186	2.48
32	2.9	0.260	3.44
40	3.7	0.412	5.32
50	4.6	0.638	8.23
63	5.8	1.010	13.05
90	8.2	2.020	25.40
110	10.0	3.010	37.85

Eveneens leverbaar in "PURE" uitvoering :

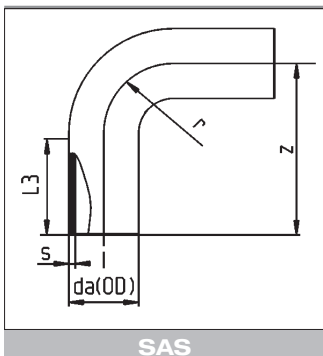
PVDF diam. 20 t.e.m. diam. 315
 PP grijs diam. 20 t.e.m. diam.315

Egalement livrable en exécution "PURE" :

PVDF diam. 20 à diam. 315
 PP gris diam. 20 à diam. 315

Also available in "PURE" finishing :

PVDF diam. 20 up to diam. 315
 PP grey diam. 20 up to diam. 315

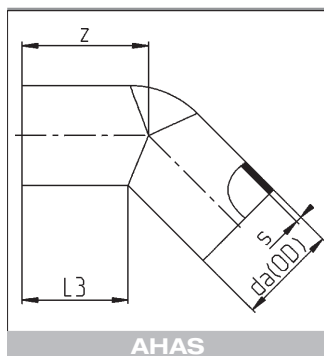


MULTI-BOCHTEN 90°
 MULTI-COURBES A 90°
 MULTI-BENDS 90°

Gespoten.
 Injectés.
 Moulded.

ISO S-5/SDR 11

da	L3	r	Z ²³	S	KG/ST/PC	€/ST/PC
20	37	20	59.0	1.9	0.014	4.93
25	39	25	66.5	2.3	0.021	5.12
32	44	32	78.5	2.9	0.036	5.31
40	49	40	91.5	3.7	0.064	6.45
50	55	50	107.5	4.6	0.113	8.13
63	63	63	128.5	5.8	0.216	11.63
90	71	90	164.5	8.2	0.543	23.26
110	75	110	188.5	10.0	0.943	46.04



AHAS

KNIEEN 45°
COUDES A 45°
ELBOWS 45°

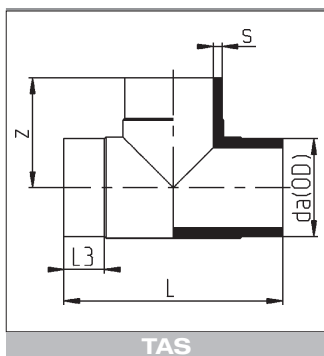
Gespoten, met verlengde benen.
Ook geschikt voor electromoflas.

Coudes injectés, à branches allongées.
Convient aussi pour l'electro-soudage dans l'emboîture.

Moulded, elongated.
Also suitable for electro socket welding.

SDR 11

da	L3 ^{±1.5}	Z ^{±1.5}	S	KG/ST/PC	€/ST/PC
20	39	44	3.0	0.02	6.73
25	42	48	3.0	0.02	7.23
32	49	57	3.0	0.03	8.71
40	53	63	3.7	0.06	10.24
50	57	70	4.6	0.09	11.63
63	64	80	5.8	0.17	21.23
90	82	104	8.2	0.43	33.08
110	82	108	10.0	0.89	63.37



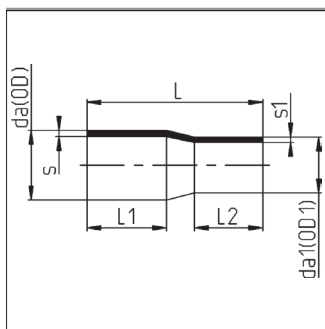
TAS

T-STUKKEN 90°
TES A 90°
TEES 90°

Gespoten.
Injectés.
Moulded.

SDR 11

da	L	L3	z	S	KG/ST/PC	€/ST/PC
20	70	14	35	2.5	0.02	3.59
25	80	15	40	2.7	0.03	3.59
32	90	16	46	2.9	0.04	4.48
40	92	15	50	3.7	0.07	6.70
50	120	23	60	4.6	0.11	9.06
63	128	17	65	5.8	0.23	14.06
90	213	38	105	8.2	0.63	42.29
110	253	51	122	10.0	1.20	62.12

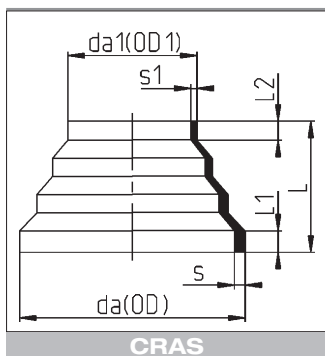


CONCENTRISCHE VERLOOPSTUKKEN VERLENGD
 REDUCTIONS CONCENTRIQUES ALLONGEES
 CONCENTRIC REDUCERS ELANGATED

Gespoten. Ook geschikt voor electromoflas.
 Injectées. Convient également pour l'électrosoudage.
 Moulded. Also suitable for electro socket welding.

SDR 11

da / da1	L1 ^{±1.5}	L2 ^{±1.5}	L ^{±3}	S1	S2	KG/ST/PC	€/ST/PC
25 / 20	40	41	87	3.0	3.0	0.02	4.47
32 / 20	43	39	92	3.0	3.0	0.02	4.97
32 / 25	44	39	92	3.0	3.0	0.03	4.97
40 / 32	48	45	102	3.7	3.0	0.04	6.98
50 / 25	55	44	118	4.6	3.0	0.06	8.95
50 / 32	59	46	122	4.6	3.0	0.06	8.95
63 / 32	64	49	136	5.8	3.0	0.10	11.18
63 / 50	66	59	151	5.8	4.6	0.14	11.18

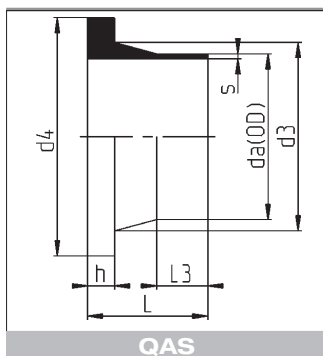


CONCENTRISCHE VERLOOPSTUKKEN
 REDUCTIONS CONCENTRIQUES
 CONCENTRIC REDUCERS

Gespoten.
 Injectés.
 Moulded.

SDR 11

da / da1	L1 ^{±3}	L2 ^{±3}	L ^{±3}	S1	S2	KG/ST/PC	€/ST/PC
63 / 16	10	8	97	5.8	1.8	0.05	8.02
110 / 63	9	6	62	10.0	5.8	0.14	16.95

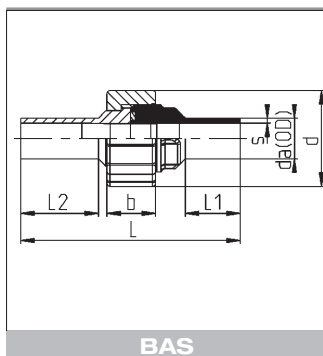


VOORLASKRAGEN
COLLETS
STUBS

Gespoten.
Injectées.
Moulded.

SDR 11

da	d3	d4 ^{-1.5}	h	L3	L	S	KG/ST/PC	€/ST/PC
20	27 ⁻³	45	7 ⁺¹	30 ^{+1.5}	52 ^{+3.5}	1.9	0.02	4.28
25	33 ⁻³	58	9 ⁺¹	25 ^{+1.5}	50 ^{+3.5}	2.3	0.03	4.28
32	40 ⁻³	68	10 ⁺¹	25 ^{+1.5}	50 ^{+3.5}	2.9	0.05	4.80
40	50 ⁻³	78	11 ⁺¹	20 ^{+1.5}	50 ^{+3.5}	3.7	0.06	5.39
50	61 ⁻³	88	12 ⁺¹	20 ^{+1.5}	50 ^{+3.5}	4.6	0.09	6.58
63	75 ⁻³	102	14 ⁺¹	18 ^{+1.5}	50 ^{+3.5}	5.8	0.13	8.23
90	105 ⁻⁴	138	17 ⁺¹	40 ^{+1.5}	80 ^{+3.5}	8.2	0.33	13.94
110	125 ⁻⁴	158	18 ⁺¹	38 ^{+1.5}	80 ^{+3.5}	10.0	0.45	17.96

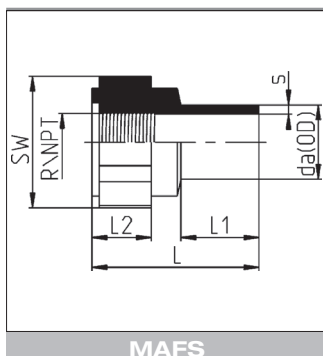


DRIEDELIGE KOPPELINGEN
RACCORDS UNION
UNION SOCKETS

Gespoten. O-ring in FPM, FDA gekeurd.
Injectés. Joint torique en FPM, certifié FDA.
Moulded. O-ring in FPM, FDA approval.

SDR 11

da	L ^{±2.5}	L1 ^{±1.5}	L2 ^{±1.5}	d ^{±1.5}	b ^{±1}	S	KG/ST/PC	€/ST/PC
20	107	24	38	47.0	24.0	2.5	0.07	20.32
25	112	24	39	57.0	26.0	2.7	0.08	25.80
32	119	25	39	64.0	30.0	2.9	0.10	31.68
40	125	25	42	78.5	31.0	3.7	0.17	44.20
50	130	25	44	89.5	35.0	4.6	0.22	61.63
63	136	25	44	109.0	39.0	5.8	0.36	92.11



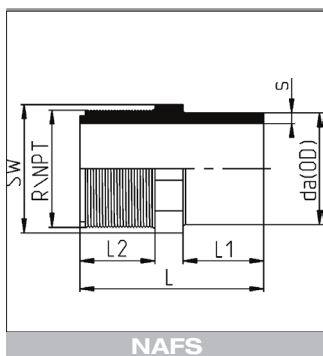
MAFS

OVERGANGSSTUKKEN
EMBOUTS D'ADAPTATION
ADAPTOR COUPLINGS

Gespoten, ISO S-5/ SDR 11, 1 zijde binnendraad.
Injectées, ISO S-5/ SDR 11, un côté femelle.
Moulded, ISO S-5/ SDR 11, one end female threaded.

SDR 11

da	R	L ^{±3}	L1 ^{±1.5}	L2 ^{±1.5}	SW	b ^{±1}	S	KG/ST/PC	€/ST/PC
20	1/2	45	21	16	32	24.0	2.5	0.01	8.50
25	3/4	50	25	17	41	26.0	2.7	0.02	9.63
32	1	58	30	20	46	30.0	2.9	0.04	12.59
40	1 1/4	62	30	24	55	31.0	3.7	0.09	14.42
50	1 1/2	68	34	24	70	35.0	4.6	0.10	22.67
63	2	75	36	28	85	39.0	5.8	0.23	28.39



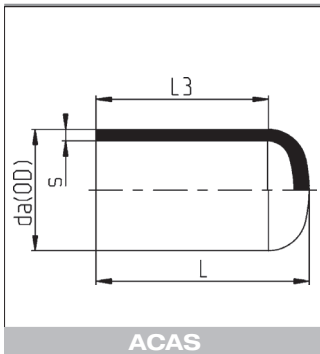
NAFS

OVERGANGSSTUKKEN
EMBOUTS D'ADAPTATION
ADAPTOR COUPLINGS

Gespoten, ISO S-5/ SDR 11, 1 zijde buitendraad.
Injectées, ISO S-5/ SDR 11, un côté mâle.
Moulded, ISO S-5/ SDR 11, one end male threaded.

SDR 11

d	R	L ^{±3}	L1 ^{±1.5}	L2 ^{±1.5}	SW	S	KG/ST/PC	€/ST/PC
20	1/2	45	19	18	22	2.5	0.01	6.66
25	3/4	51	22	20	27	2.7	0.01	7.99
32	1	61	28	24	36	2.9	0.02	10.07
40	1 1/4	66	29	26	46	3.7	0.04	12.13
50	1 1/2	74	32	28	55	4.6	0.06	19.87
63	2	80	35	31	65	5.8	0.08	25.15

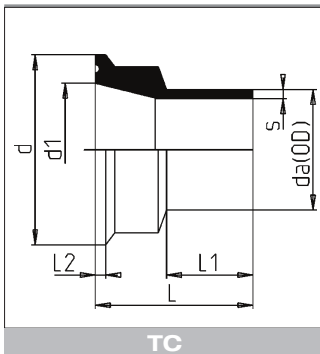


EINDKAPPEN VERLENGD
BOUCHONS ALLONGES
END CAPS ELONGATED

Gespoten.
Injectées.
Moulded.

SDR 11

da	L3 ^{±1.5}	L ^{±1.5}	S	KG/ST/PC	€/ST/PC
20	41	47	3.0	0.01	5.22
25	41	48	3.0	0.01	5.74
32	47	55	3.0	0.02	7.23
40	51	64	3.7	0.03	8.94
50	60	73	4.6	0.05	11.70
63	68	84	5.8	0.10	15.42

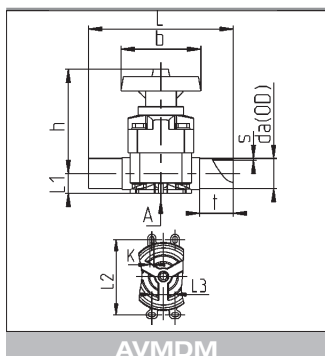


KLEMVERBINDING
RACCORD SANITAIRE
SANITARY JOINT FITTING

Mechanisch bewerkt.
Façonné mécaniquement.
Machined.

SDR 11

da	L	L1	L2	d	d1	S	KG/ST/PC	€/ST/PC
20	42	23	2.8	50.5	18.1	2.5	0.02	12.29
25	42	23	2.8	50.5	22.4	2.7	0.02	12.29
32	42	23	2.8	50.5	28.5	2.9	0.02	12.29
40	42	23	2.8	64.0	38.4	3.7	0.04	14.48
50	42	23	2.8	64.0	44.2	4.6	0.03	14.48
63	42	23	2.8	77.5	60.3	5.8	0.04	17.52

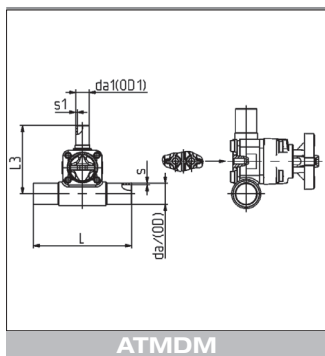


MEMBRAANAFSLUITER
VANNE A MEMBRANE
DIAPHRAGM VALVES

Gespoten.
Injectés.
Moulded.

SDR 11

D	DN	T ^{±1}	B ^{±2}	H ^{±3}	L1 ^{±1}	L2 ^{±1}	K	L ^{±2%}	S	KG ST/PC	€/ST/PC	
											EPDM	PTFE
20	15	36.0	86	100	16.5	24.5	M6	133	2.5	0.45	74.82	149.60
25	20	36.0	86	100	16.5	24.5	M6	144	2.7	0.45	77.39	158.34
32	25	36.0	86	107	20.0	24.5	M6	154	2.9	0.64	87.32	183.46
40	32	46.0	136	136	25.5	44.0	M8	193	3.7	1.20	135.86	263.69
50	40	46.0	136	144	32.0	44.0	M8	194	4.6	1.65	155.85	279.56
63	50	46.0	136	170	38.5	44.0	M8	224	5.8	2.24	198.33	355.99



T-MEMBRAANVENTIEL
VANNE A MEMBRANE-T
DIAPHRAGM VALVES-T

da/da1	s	L	L3	s1	KG/ST/PC	€/ST/PC EPDM/PTFE
20/20	1.9	164	112.0	1.9	0.47	258.37
25/20	2.3	164	115.5	1.9	0.63	239.49
25/25	2.3	164	115.5	2.3	0.63	248.06
32/20	2.9	164	122.0	1.9	0.68	289.24
32/25	2.9	164	122.0	2.3	0.67	289.24
32/32	2.9	164	122.0	2.9	0.68	289.24
40/20	3.7	184	127.0	1.9	0.70	301.52
40/25	3.7	184	127.0	2.3	0.71	301.52
40/32	3.7	184	127.0	2.9	0.71	301.52
50/20	4.6	184	131.5	1.9	0.79	315.75
50/32	4.6	184	131.5	2.9	0.79	315.75
63/32	5.8	184	138.0	2.9	0.85	301.52