

DRUKBUIS
TUYAU DE PRESSION
PRESSURE PIPE

GLASHELDER
TRANSPARENT
TRANSPARENT

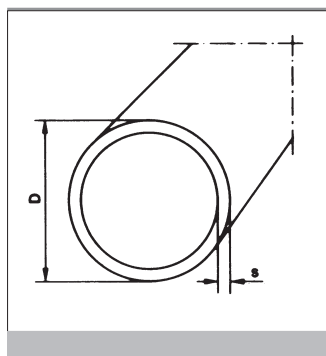
L = 5 m.

Afmetingen en toleranties volgens DIN 8062
 Dimensions et tolérances suivant DIN 8062
 Dimensions and tolerances according to DIN 8062

REEKS SERIE SERIES D	2 PN4			3 PN6			4 PN10			5 PN16			6 PN25		
	s	KG/M	€/M	s	KG/M	€/M	s	KG/M	€/M	s	KG/M	€/M	s	KG/M	€/M
6													1.0	0.025	1.63
8													1.0	0.035	2.04
10													1.2	0.053	2.22
12										1.0	0.055	2.32	1.4	0.073	2.92
16										1.2	0.090	2.97			
20										1.5	0.137	4.32			
25							1.5	0.174	5.81	1.9	0.212	6.26			
32							1.8	0.264	6.78	2.4	0.342	8.03			
40							1.9	0.366	9.66	3.0	0.525	13.09			
50				1.8	0.422	11.95	2.4	0.552	12.25	3.7	0.809	21.82			
63	1.8	0.532	17.08				3.0	0.854	19.03	4.7	1.290	34.58			
75	1.8	0.642	19.67				3.6	1.220	32.58						
90	1.8	0.774	20.42				4.3	1.750	46.94						
110	2.2	1.160	32.02				5.3	2.610	78.87						
125	2.5	1.480	51.25												
140	2.8	1.840	66.52												
160	3.2	2.410	74.87	4.7	3.440	115.21									
200	4.0	3.070	524.23												
225	4.5	4.700	526.48												
250	4.9	5.650	652.23												
280	5.5	7.600	971.31												

Speciale reeks - drukloos
 Série speciale - sans pression
 Special series - no pression

D	s	KG/M	€/M
315	4.0	6.300	856.62
400	4.0	8.000	-



GEEXTRUDEERD
EXTRUDE
EXTRUDED

GLASHELDER
TANSPARENT
TANSPARENT

D 7 - 40 mm : L = 2000 mm

D 44 - 250 mm : L = 2050 mm

Toleranties / tolérances / tolerances:

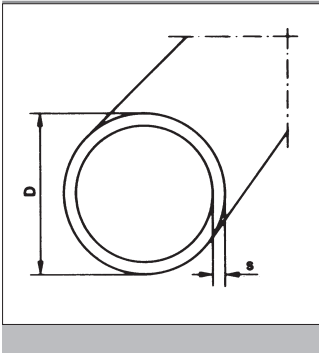
s: 1.50 mm +/- 0.25 mm
2.00 - 2.50 mm +/- 0.30 mm
3.00 mm +/- 0.30 - 0.35 mm
4.00 mm +/- 0.35 - 0.40 mm
5.00 mm +/- 0.40 - 0.55 mm

D: 5 - 25 mm +/- 0.3 mm
30 - 40 mm +/- 0.5 mm
50 - 70 mm +/- 0.8 mm
80 - 90 mm +/- 0.9 mm
100 - 120 mm +/- 1.2 mm
133 - 139 mm +/- 1.3 mm
150 - 180 mm +/- 1.5 mm
200 - mm +/- 2.0 mm

D	s	d	PN	€/M
7	1.00	5.0	6.0	6.31
8	2.00	4.0	9.0	4.40
10	1.00	8.0	-	2.89
10	1.50	7.0	6.5	3.28
10	2.00	6.0	8.0	3.98
12	1.00	10.0	4.0	3.04
12	2.00	8.0	7.0	3.98
12	3.00	6.0	9.0	5.07
13	1.50	10.0	5.0	3.52
13	2.00	9.0	6.5	4.40
14	2.00	10.0	-	4.74
14	3.00	8.0	-	5.85
15	2.00	11.0	5.5	5.30
15	2.50	10.0	7.0	5.78
15	3.00	9.0	-	6.15
16	2.00	12.0	5.5	5.52
18	2.00	14.0	-	4.90
18	3.00	12.0	-	7.09
20	2.00	16.0	4.5	7.07
20	3.00	14.0	6.5	8.98
22	2.00	18.0	-	7.58
22	3.00	16.0	-	9.34
24	2.00	20.0	-	8.12
24	3.00	18.0	-	9.96
25	2.00	21.0	3.5	8.36
25	3.00	19.0	5.5	10.74
26	2.00	22.0	-	8.56
26	3.00	20.0	-	10.98
28	2.00	24.0	-	8.71
28	3.00	22.0	-	11.39
30	2.00	26.0	3.0	8.98
30	3.00	24.0	-	11.67
30	4.00	22.0	-	13.81
30	5.00	20.0	7.0	17.09
32	2.00	28.0	-	9.14
32	3.00	26.0	-	13.25
32	4.00	24.0	-	16.59
34	2.00	30.0	-	9.33
34	3.00	28.0	-	13.99
36	2.00	32.0	-	10.05
36	3.00	30.0	-	14.66
38	3.00	32.0	3.5	14.95
40	2.00	36.0	2.5	11.24
40	3.00	34.0	3.5	15.58

D	s	d	PN	€/M
40	4.00	32.0	4.5	18.83
40	5.00	30.0	5.5	24.08
44	3.00	38.0	-	20.87
44	4.00	36.0	-	24.22
44	5.00	34.0	-	27.91
45	3.00	39.0	-	20.92
50	2.00	46.0	2.0	16.72
50	3.00	44.0	3.0	21.54
50	4.00	42.0	-	26.27
50	5.00	40.0	4.5	31.58
56	3.00	50.0	-	23.61
56	4.00	48.0	-	30.98
60	2.00	56.0	1.5	21.39
60	3.00	54.0	2.5	25.47
60	4.00	52.0	3.0	31.58
60	5.00	50.0	4.0	41.63
64	2.00	60.0	-	20.92
64	3.00	58.0	-	27.52
64	4.00	56.0	-	34.27
64	5.00	54.0	-	41.46
70	2.00	66.0	-	24.22
70	3.00	64.0	2.0	28.98
70	4.00	62.0	-	36.78
70	5.00	60.0	3.5	43.38
76	3.00	70.0	-	32.62
76	4.00	68.0	-	40.02
76	5.00	66.0	-	44.96
80	2.00	76.0	-	27.50
80	3.00	74.0	2.0	33.33
80	4.00	72.0	2.0	41.46
80	5.00	70.0	2.5	50.39
90	2.00	86.0	-	29.53
90	3.00	84.0	2.0	38.59
90	4.00	82.0	2.0	48.23
90	5.00	80.0	-	59.14
100	2.00	96.0	-	38.39
100	3.00	94.0	2.5	42.94
100	4.00	92.0	1.5	54.82
100	5.00	90.0	2.0	64.47
110	3.00	104.0	2.5	46.47
110	4.00	102.0	-	57.66
110	5.00	100.0	1.5	70.59
120	3.00	114.0	0.5	46.04
120	4.00	112.0	-	59.50

D	s	d	PN	€/M
120	5.00	110.0	1.5	74.45
125	3.00	121.0	-	47.64
125	4.00	117.0	-	62.60
125	5.00	115.0	-	78.99
130	3.00	124.0	-	49.26
130	4.00	122.0	-	65.53
130	5.00	120.0	-	80.44
134	3.00	128.0	-	51.73
134	4.00	126.0	-	66.93
134	5.00	124.0	-	83.30
150	3.00	144.0	0.5	59.95
150	4.00	142.0	-	78.81
150	5.00	140.0	1.5	96.31
160	3.00	154.0	-	61.59
160	4.00	152.0	-	80.55
160	5.00	150.0	-	105.22
170	3.00	164.0	-	65.53
170	4.00	162.0	-	87.00
170	5.00	160.0	-	106.31
180	3.00	174.0	-	72.60
180	4.00	172.0	1.2	94.37
180	5.00	170.0	-	112.89
185	3.00	179.0	-	73.22
185	4.00	177.0	-	93.18
185	5.00	175.0	-	115.96
200	3.00	194.0	-	77.13
200	4.00	192.0	0.5	101.67
200	5.00	190.0	-	126.21
220	3.00	214.0	-	94.37
220	4.00	212.0	-	119.01
220	5.00	210.0	-	147.76
240	3.00	234.0	-	99.55
240	4.00	232.0	-	130.04
240	5.00	230.0	-	153.93
250	3.00	244.0	-	112.72
250	4.00	242.0	-	134.40
250	5.00	240.0	-	168.30
300	4.00	292.0	-	250.91
300	5.00	290.0	-	308.56
300	6.00	288.0	-	375.40



GEEXTRUDEERD
EXTRUDE
EXTRUDED0

SATIN
SATIN
SATIN

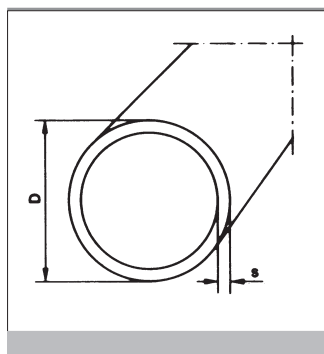
D 20 - 40 mm : L = 2000 mm

D 45 - 250 mm : L = 2050 mm

Toleranties / tolérances / tolerances:
s: 3.00 mm +/- 0.30 - 0.35 mm

D: 20 mm +/- 0.3 mm
30 - 40 mm +/- 0.5 mm
50 - 70 mm +/- 0.8 mm
80 - 90 mm +/- 0.9 mm
100 - 120 mm +/- 1.2 mm
133 - 139 mm +/- 1.3 mm
150 - 180 mm +/- 1.5 mm
200 - mm +/- 2.0 mm

D	s	€/M
20	3.00	11.66
30	3.00	15.17
40	3.00	20.26
45	3.00	27.93
50	3.00	27.99
60	3.00	33.10
64	3.00	35.77
70	3.00	37.66
80	3.00	43.31
90	3.00	50.16
100	3.00	55.83
110	3.00	60.41
120	3.00	59.84
130	3.00	64.02
150	3.00	75.20
170	3.00	81.77
200	3.00	100.25
250	3.00	133.41



CENTRIFUGAAL GEGOTEN
COULE PAR CENTRIFUGATION
CENTRIFUGALLY CAST

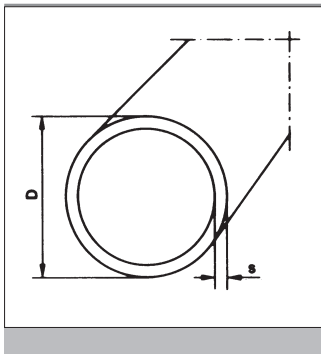
GLASHELDER
TRANSPARENT
TRANSPARENT

D 45 - 300 mm : L = 2030 mm -30/+15 mm
D 350 - 400 mm : L = 2160 mm -30/+15 mm
D 457 mm : L = 2180 mm -30/+15 mm
D 500 mm : L = 2180 mm -30/+0 mm

Toleranties / tolérances / tolerances:

s: 2-3 mm +/- 20% D: 45 - 50 mm +1/-2%
4 mm +/- 15% D: 51 - 100 mm +1/-1.5%
>5 mm +/- 10% D: 102 - 300 mm +0.5/-1%

D	S								
	3	4	5	6	8	10	12	15	20
45	44.82	49.28	53.73	76.76	104.61	125.23	-	-	-
50	44.57	47.84	56.83	89.48	122.60	139.42	-	-	-
51	62.92	67.61	72.26	103.47	129.74	148.23	-	-	-
58	67.60	72.06	82.44	96.25	136.26	155.18	159.23	-	-
60	50.60	54.37	61.59	95.90	129.80	148.95	164.69	-	-
64	53.32	58.79	64.51	96.80	141.60	159.09	202.10	-	-
70	56.32	59.23	71.00	98.91	149.84	166.37	219.40	-	-
76	65.03	67.82	71.95	102.23	159.71	182.29	230.94	-	-
80	65.47	68.29	76.00	109.98	166.84	190.51	243.11	279.18	-
90	67.55	72.95	107.14	129.16	190.51	216.45	273.49	309.46	-
100	70.90	75.43	84.69	131.30	194.61	227.92	277.25	349.33	-
102	92.77	102.38	111.82	153.24	216.00	257.79	301.92	382.17	-
110	76.22	85.13	91.96	140.96	206.26	250.06	320.79	388.17	-
115	78.55	90.33	94.85	149.31	220.17	258.06	322.59	403.12	-
120	85.39	92.90	98.25	159.50	231.60	266.02	355.32	417.44	632.91
125	92.74	96.36	115.85	170.71	238.95	280.02	364.91	459.83	659.33
127	117.74	131.04	135.85	188.44	266.10	303.58	378.68	498.19	662.22
130	110.67	122.47	126.87	187.51	264.42	299.21	390.66	513.87	672.91
134	99.15	109.08	115.85	185.34	248.97	291.86	411.35	479.08	673.71
139	101.42	110.09	120.71	189.33	257.44	314.25	431.34	490.33	698.82
150	107.82	116.00	129.25	203.91	276.15	330.63	434.04	501.61	754.13
153	139.74	155.40	174.82	236.48	302.82	373.09	433.29	557.44	915.46
160	126.41	138.70	144.70	228.15	296.88	355.14	506.42	547.44	957.33
164	130.56	139.94	148.11	228.61	316.00	370.40	533.50	563.46	981.27
168	189.20	202.14	207.80	252.57	353.88	427.28	510.98	629.81	1005.20
172	182.98	195.74	221.11	260.95	362.22	439.62	531.19	643.61	1029.12
185	148.78	158.45	160.92	280.02	355.19	425.33	600.77	702.38	1050.55
200	153.27	161.08	172.89	305.99	377.31	453.46	644.10	764.27	1071.98
212	221.39	240.13	259.20	348.33	426.05	535.16	639.38	863.34	1082.31
220	164.71	182.35	195.90	344.36	423.31	538.65	764.23	871.85	1092.63
230	169.43	189.88	201.28	342.06	421.65	548.44	742.82	892.54	1218.76
240	169.75	200.52	211.38	347.18	456.16	609.92	779.59	929.49	1323.22
250	188.63	205.13	226.55	361.84	493.68	594.05	842.02	947.96	1324.75
270	-	229.55	258.62	391.33	505.62	626.44	849.17	1094.99	1430.72
300	-	269.54	293.32	403.42	588.25	658.67	1059.78	1124.53	1654.07
350	-	287.37	343.75	491.63	610.06	745.22	989.21	1308.32	1931.78
400	-	316.22	391.68	546.25	709.49	878.23	1029.36	1385.10	2207.78
457	-	544.85	632.94	749.93	869.66	1135.44	1308.68	1635.85	2368.43
500	-	-	555.02	793.67	1008.08	1213.18	1580.27	1906.12	2759.68



GEESTRUDEERD
EXTRUDE
EXTRUDED

TRANSPARENT
TRANSPARENT
TRANSPARENT

D 10 - 40 mm : L = 2000 mm
D 45 - 250 mm : L = 2050 mm

D	s	€/M	D	s	€/M
10	1.5	3.75	80	2.0	20.59
12	1.0	3.09	80	2.5	24.42
12	1.5	4.28	80	3.0	28.32
13	2.0	4.28	90	2.0	22.43
15	2.0	4.14	90	2.5	27.02
15	2.5	4.74	90	3.0	32.09
16	2.0	4.39	100	2.0	24.64
16	3.0	8.08	100	2.5	29.82
18	2.0	4.82	100	3.0	35.87
20	2.0	5.30	110	2.0	27.71
20	3.0	7.31	110	2.5	33.31
24	2.0	7.31	110	3.0	39.22
25	1.5	4.82	120	3.0	39.68
25	2.0	6.41	120	4.0	52.52
30	1.0	5.23	120	5.0	64.99
30	1.5	6.42	130	3.0	43.56
30	2.0	7.54	130	4.0	56.78
30	2.5	9.25	130	5.0	70.45
30	3.0	10.84	134	3.0	73.91
32	3.0	11.74	134	4.0	59.21
36	3.0	13.04	134	5.0	44.82
38	1.5	7.17	150	3.0	49.72
38	2.0	9.58	150	4.0	65.72
40	1.0	5.79	150	5.0	82.47
40	1.5	7.44	180	3.0	60.13
40	2.0	8.97	180	4.0	78.61
40	3.0	13.15	180	5.0	97.50
45	1.5	9.33	200	3.0	67.81
50	1.5	10.40	200	4.0	87.31
50	2.0	13.04	200	5.0	108.66
50	2.5	15.45	250	3.0	83.86
50	3.0	18.24	250	4.0	109.55
60	2.0	14.55	250	5.0	139.07
60	2.5	17.60			
60	3.0	20.78			
70	2.0	18.25			
70	2.5	21.73			
70	3.0	25.49			
75	3.0	25.47			

