

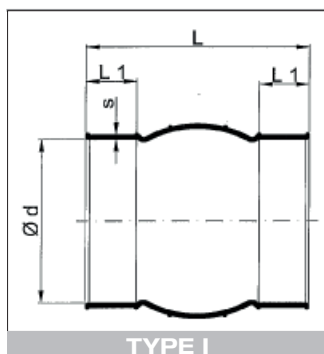
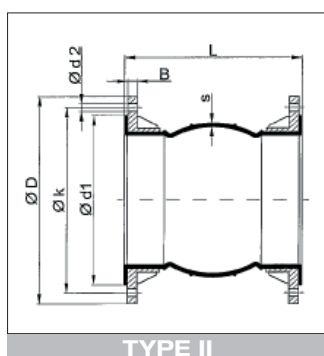
WELLFLEX-BAND VOOR COMPENSATOREN
WELLFLEX-BAND POUR LES COMPENSATEURS
WELLFLEX-BAND FOR EXPENTION JOINTS

Gegolfd / ondulées / waved

Afmetingen Dimensions Dimensions	Rollengte Rouleau de longueur Rollength	Golf Ondulé Wave	€/M	
			Zacht PVC PVC souple Soft PVC	PP basis Base de PP PP basis
150 x 3 mm	30 M	6X	15.10	45.31
150 x 6 mm	15 M	4X	40.28	115.80

Glad / lisse / smooth finish

Afmetingen Dimensions Dimensions	Rollengte Rouleau de longueur Rollength	€/M	
		Zacht PVC PVC souple Soft PVC	PP basis Base de PP PP basis
100 x 2 mm	30 M	4.69	19.19
150 x 3 mm	30 M	14.50	45.51


TYPE I

TYPE II

KOGELMANCHETTEN VOOR BEVESTIGING MET SPANBANDEN
 COMPENSATEUR POUR RACCORDEMENT AVEC DES COLLIERS
 SPHERICAL SLEEVES FOR CLIP BAND CONNECTION

Type I

d	Lmin	Lmax	L1	s
50	95	60	22	3.0
63	95	55	20	3.0
75	95	53	18	3.0
90	95	50	16	3.0
110	110	65	20	3.0
125	130	80	29	3.0
140	150	95	37	3.0
160	150	90	35	3.0
180	155	105	40	3.0
200	155	105	40	3.0
225	155	95	40	3.0
250	155	95	40	3.0
280	150	90	40	3.0
315	150	90	40	3.0

Type II

d	Lmin	Lmax	D	B	k	d1	d2	n	s
50	95	60	100	8	80	70	7	4	3.0
63	95	55	120	8	100	90	7	4	3.0
75	95	53	135	8	115	105	7	4	3.0
90	95	50	150	8	130	120	7	4	3.0
110	110	65	170	8	150	140	7	4	3.0
125	130	80	185	8	165	155	7	8	3.0
140	150	95	200	8	175	165	7	8	3.0
160	150	90	230	8	200	180	7	8	3.0
180	155	105	250	8	220	225	7	8	3.0
200	155	105	270	8	240	230	7	8	3.0
225	155	95	295	8	265	245	7	8	3.0
250	155	95	320	8	290	280	7	12	3.0
280	150	90	360	10	325	310	9	12	3.0
315	150	90	395	10	350	340	9	12	3.0

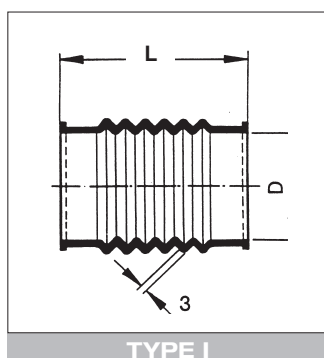
D	€/ST/PC Zacht PVC PVC souple Soft PVC		€/ST/PC PP basis Base de PP PP basis		€/ST/PC PP basis EL Base EL de PP PP basis EL	
	65° SHORE		64° SHORE		60° SHORE	
	TYPE I	TYPE II	TYPE I	TYPE II	TYPE I	TYPE II
50	9.10	75.25	45.65	95.75	114.13	239.49
63	10.25	77.57	54.75	96.91	136.96	242.38
75	11.22	79.70	57.06	100.40	142.76	251.09
90	12.39	79.70	59.19	105.04	147.98	262.69
110	13.74	82.21	61.52	139.61	153.78	347.81
125	14.71	86.66	65.97	150.69	165.01	376.82
140	15.48	88.80	68.48	157.27	171.19	393.27
160	15.86	93.43	72.92	161.91	182.42	404.87
180	47.21	95.75	77.57	166.56	194.02	416.49
200	20.89	100.40	82.20	175.45	205.63	438.72
225	50.29	105.04	88.80	180.29	221.87	450.73
250	24.37	107.16	93.43	196.15	232.13	490.38
280	54.36	109.48	98.07	234.84	245.28	587.10
315	28.63	116.26	105.04	249.92	262.69	624.82

prijzen zonder spanbanden / prix sans colliers / price without clamps

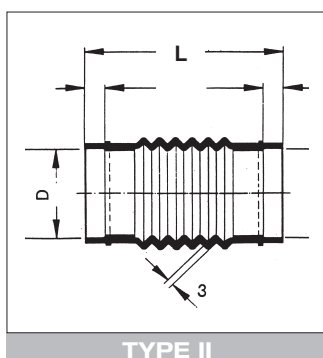
WELLFLEX COMPENSATOREN
COMPENSATEURS WELLFLEX
WELLFLEX BELLOWS

3 mm, 6 x gerold
3 mm, 6 fois roulées
3mm, corrugated, 6-fold

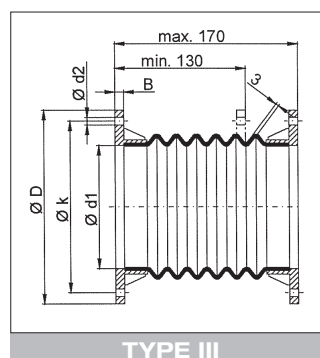
Voor het opvangen van trillingen en uitzettingen.
Pour amortir les vibrations et compenser les dilatations.
To reduce vibrations, contractions and expansions



TYPE I



TYPE II



TYPE III

Type I

d	Lmin	Lmax	L1	s
110	110	150	21	3.0
125	110	150	21	3.0
140	110	150	21	3.0
160	110	150	21	3.0
180	110	150	21	3.0
200	110	150	21	3.0
225	110	150	21	3.0
250	110	150	21	3.0
280	110	150	21	3.0
315	110	150	21	3.0
355	110	150	21	3.0
400	110	150	21	3.0
450	110	150	21	3.0
500	110	150	21	3.0
560	110	150	21	3.0
600	110	150	21	3.0
630	110	150	21	3.0
700	110	150	21	3.0
710	110	150	21	3.0
800	110	150	21	3.0
900	110	150	21	3.0
1000	110	150	21	3.0
1250	110	150	21	3.0
1400	110	150	21	3.0

Type II

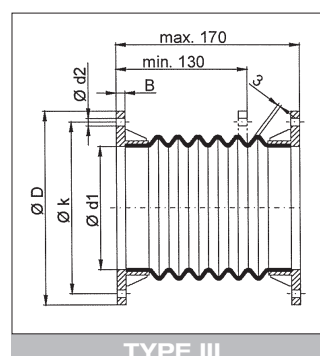
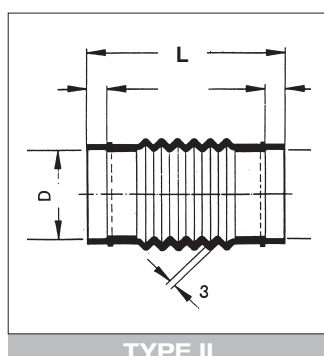
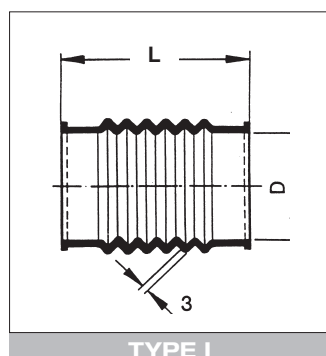
d	Lmin	Lmax	L1	s
110	110	150	40	3.0
125	110	150	40	3.0
140	110	150	40	3.0
160	110	150	40	3.0
180	110	150	40	3.0
200	110	150	50	3.0
225	110	150	50	3.0
250	110	150	50	3.0
280	110	150	50	3.0
315	110	150	50	3.0
355	110	150	40	3.0
400	110	150	45	3.0
450	110	150	45	3.0
500	110	150	50	3.0
560	110	150	100	3.0
600	110	150	100	3.0
630	110	150	100	3.0
700	110	150	100	3.0
710	110	150	100	3.0
800	110	150	125	3.0
900	110	150	125	3.0
1000	110	150	125	3.0
1250	110	150	125	3.0

Type III

d	D	B	k	d1	d2	n
110	170	8	150	106	7	4
125	185	8	165	121	7	8
140	200	8	175	136	7	8
160	230	8	200	156	7	8
180	250	8	220	176	7	8
200	270	8	240	196	7	8
225	295	8	265	221	7	8
250	320	8	290	246	7	12
280	360	10	325	274	9	12
315	395	10	350	309	9	12
355	435	10	400	349	9	12
400	480	10	445	394	9	16
450	530	10	495	438	9	16
500	580	10	545	488	9	20
560	700	12	660	548	11	24
600	730	12	690	588	11	24
630	730	12	700	628	11	24
700	810	12	770	685	11	24
710	810	12	770	695	11	24
800	900	12	860	785	11	28
900	1000	12	960	885	11	32
1000	1100	12	1060	980	11	32
1250	1350	15	1310	1250	11	32

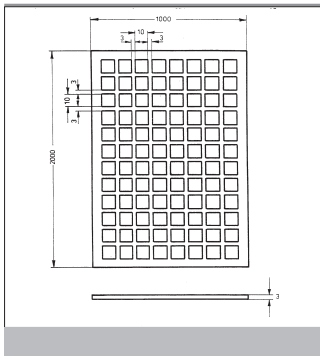
WELLFLEX COMPENSATOREN
COMPENSATEURS WELLFLEX
WELLFLEX BELLOWS

vervolg / suite / continuation



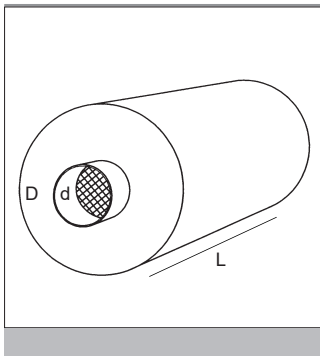
D	€/ST/PC Zacht PVC PVC souple Soft PVC			€/ST/PC PP basis Base de PP PP basis			€/ST/PC PP basis EL Base EL de PP PP basis EL		
	TYPE I	TYPE II	TYPE III	TYPE I	TYPE II	TYPE III	TYPE I	TYPE II	TYPE III
110	23.96	35.94	86.57	90.97	138.77	165.03	227.03	346.92	412.58
125	23.96	40.59	88.69	90.97	143.60	172.18	227.03	359.10	430.55
140	26.28	40.59	91.21	102.94	162.74	194.02	256.98	406.84	485.04
160	26.28	43.11	95.66	102.94	169.88	201.17	256.98	424.81	503.01
180	28.60	47.74	97.97	114.96	186.51	219.34	287.52	466.37	548.42
200	31.12	50.26	102.42	126.88	208.16	243.09	316.89	520.49	607.76
225	31.12	57.41	104.94	131.58	221.49	258.37	329.06	553.73	646.85
250	33.43	66.87	109.38	136.45	238.88	275.77	341.04	597.22	689.49
280	35.93	78.85	111.69	145.88	260.53	303.96	363.83	651.33	760.02
315	38.25	88.33	120.59	157.99	284.50	327.93	394.75	711.25	819.93
355	40.58	100.52	136.81	172.16	354.08	364.84	430.50	885.20	912.10
400	50.24	112.49	152.66	186.72	414.76	425.71	466.24	1036.91	1064.38
450	71.69	167.19	623.20	243.07	642.82	881.57	607.68	1607.07	2203.93
500	85.99	181.69	727.36	299.24	740.62	1055.31	743.52	1851.56	2638.33
560	96.42	-	-	340.83	853.50	1107.28	852.10	2133.74	2768.19
600	102.79	223.81	831.72	366.74	916.35	1211.62	916.83	2290.87	3029.07
630	108.00	-	-	408.28	981.44	1419.94	1020.79	2453.61	3549.86
700	129.26	258.41	1037.90	453.68	1092.38	1482.95	1134.21	2731.04	3707.34
710	131.01	-	-	477.64	1131.43	1643.52	1194.11	2828.56	4108.90
800	155.54	330.11	1350.58	534.06	1263.82	1902.09	1335.16	3159.63	4755.30
900	174.48	388.67	1645.84	599.37	1422.50	2258.05	1498.43	3556.24	5645.18
1000	191.48	482.03	2080.05	662.17	1578.67	2826.94	1655.51	3946.64	7067.43
1250	-	640.70	-	838.20	2149.98	3639.14	2095.49	5374.94	9097.84
1400	271.09	-	-	1356.80	-	-	3392.57	-	-

prijzen zonder spanbanden / prix sans colliers / price without clamps



VERLUCHTINGSROOSTERS
GRILLES D'AÉRATION
VENTILATION GRILLES

Maaswijdte Grillé Grille	Formaat Dimensions Dimensions	€/ST/PC		
		PVC	PP/PP-S/PE	PP-S-EL
10 x 10 mm	2000 x 1000 x 3 mm	183.82	189.07	565.12



GELUIDSDEMPERS
SILENCIEUX
SILENCERS

ROND
TURBULAIRES
CIRCULAR

Depend vermogen afhankelijk van lengte en diameter van de geluidsdemper.
Capacité de réduction du bruit en fonction de la longueur et du diamètre de la sourdine.
Noise suppression capability dependent on the length and diameter of the noise suppressor.

d	D	PVC €/ST/PC				PPs €/ST/PC			
		L 750	L 1000	L 1250	L 1500	L 750	L 1000	L 1250	L 1500
110	315	428.48	529.36	592.80	630.24	488.80	589.68	606.32	690.56
125	315	455.52	556.40	674.96	678.08	513.76	618.80	635.44	750.88
140	355	503.36	619.84	680.16	704.08	583.44	632.32	686.40	780.00
160	355	536.64	677.04	682.24	740.48	594.88	635.44	726.96	822.64
180	400	590.72	742.56	742.56	822.64	665.60	777.92	826.80	934.96
200	400	641.68	791.44	791.44	867.36	704.08	843.44	865.28	974.48
225	450	713.44	863.20	863.20	958.88	834.08	992.16	1037.92	1172.08
250	450	758.16	916.24	916.24	1012.96	871.52	1084.72	1088.88	1212.64
280	500	847.60	1042.08	1042.08	1125.28	968.24	1131.52	1187.68	1319.76
315	500	932.88	1120.08	1489.28	1681.68	1057.68	1364.48	1433.12	1393.60
355	600	1050.40	1234.48	1598.48	1804.40	1187.68	1384.24	1467.44	1576.64
400	600	1261.52	1506.96	1753.44	1981.20	1422.72	1681.68	1750.32	1909.44

d	D	PP €/ST/PC				PE €/ST/PC			
		L 750	L 1000	L 1250	L 1500	L 750	L 1000	L 1250	L 1500
110	315	659.36	795.60	819.52	931.84	488.80	589.68	666.64	690.56
125	315	692.64	835.12	859.04	1014.00	513.76	618.80	635.44	750.88
140	355	787.28	852.80	926.64	1052.48	583.44	632.32	686.40	780.00
160	355	803.92	859.04	981.76	1110.72	594.88	635.44	726.96	822.64
180	400	897.52	1050.40	1115.92	1262.56	665.60	777.92	826.80	934.96
200	400	950.56	1138.80	1167.92	1315.60	704.08	843.44	865.28	974.48
225	450	1126.32	1338.48	1401.92	1582.88	834.08	992.16	1037.92	1172.08
250	450	1176.24	1464.32	1469.52	1638.00	871.52	1084.72	1088.88	1212.64
280	500	1307.28	1527.76	1603.68	1782.56	968.24	1131.52	1187.68	1319.76
315	500	1427.92	1842.88	1842.88	1882.40	1057.68	1364.48	1433.12	1393.60
355	600	1603.68	1868.88	1982.24	2128.88	1187.68	1384.24	1467.44	1576.64
400	600	1920.88	2270.32	2361.84	2577.12	1422.72	1681.68	1750.32	1909.44