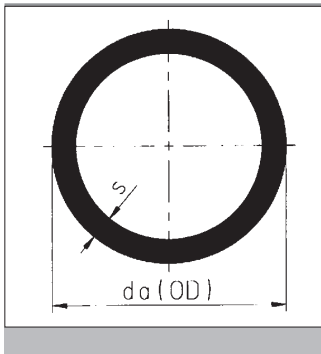


DRUKBUIS  
TUYAU DE PRESSION  
PRESSURE PIPE

ZWART  
NOIR  
BLACK

L = 5 m

da	s	KG/ST/PC	€/M
32	2.4	0.42	107.77
40	2.4	0.54	134.72
50	3.0	0.83	208.20
63	3.0	1.06	266.98
90	3.0	1.58	387.01
110	3.0	1.94	475.17
160	3.0	2.85	700.54
200	3.0	3.58	876.87
250	3.0	4.49	1097.33



DRUKBUIS - HV LINER MET OPPERVLAKTEBEHANDELING - ZWART  
TUYAU DE PRESSION - HV LINER AVEC TRAITEMENT SUR LA SURFACE - NOIR  
PRESSURE PIPE - HV LINER WITH SURFACE TREATED - BLACK

L = 5 m

da	s	KG/ST/PC	€/M
32	2.4	0.46	136.13
40	2.4	0.57	168.70
50	3.0	0.89	263.42
63	3.0	1.11	328.50
90	3.0	1.65	488.34
110	3.0	2.03	600.80
160	3.0	2.98	881.97
200	3.0	3.73	1103.95
250	3.0	4.68	1385.13