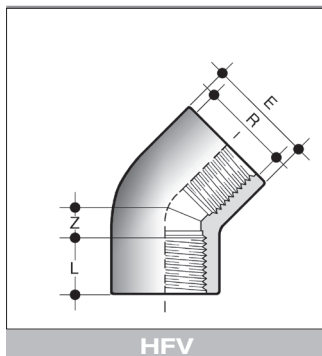


KNIEEN 90°
COUDES 90°
ELBOWS 90°

Beide zijden cilindrische binnendraad.
Deux côtés femelles à filetage cylindrique.
Both ends with interior parallel threads.

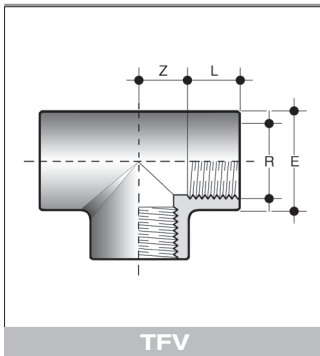
R	L	Z	E	€/ST/PC
3/8"	11.4	13	23.5	2.09
1/2"	15.0	13	28.5	2.25
3/4"	16.3	17	35.0	2.74
1"	19.1	21	43.0	3.26
1 1/4"	21.4	27	50.0	5.44
1 1/2"	21.4	36	61.0	8.00
2"	25.7	46	76.0	11.63
2 1/2"	30.2	55	90.0	29.22
3"	33.3	66	108.0	43.00
4"	39.3	80	131.0	68.01



KNIEEN 45°
COUDES 45°
ELBOWS 45°

Alle zijden cilindrische binnendraad.
Deux côtés femelles à filetage cylindrique.
All ends with interior parallel threads.

R	L	Z	E	€/ST/PC
1/2"	15.0	6.5	28	5.38
3/4"	16.3	8.0	33	5.49
1"	19.1	10.4	41	7.13
1 1/4"	21.4	15.0	50	9.35
1 1/2"	21.4	21.0	64	13.41
2"	25.7	26.0	76	19.43
2 1/2"	31.0	31.0	90	44.82
3"	33.3	39.0	107	60.99

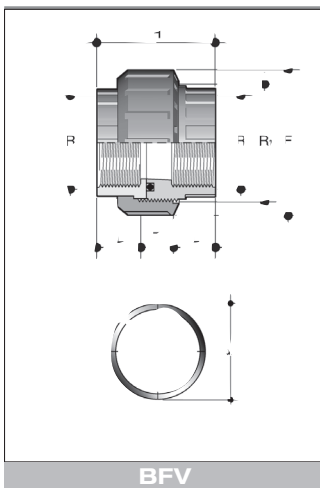


TFV

T-STUKKEN 90°
TES A 90°
TEES 90°

Alle zijden cilindrische binnendraad.
Trois côtés femelles à filetage cylindrique.
All ends with interior parallel threads.

R	L	Z	E	€/ST/PC
3/8"	11.4	13.0	23.5	2.46
1/2"	15.0	13.0	28.5	2.62
3/4"	16.3	17.0	35.0	3.39
1"	19.1	21.5	43.0	4.30
1 1/4"	21.4	27.0	50.0	6.08
1 1/2"	21.4	37.0	61.0	9.53
2"	25.7	46.0	76.0	17.81
2 1/2"	30.2	55.0	90.0	40.61
3"	33.3	66.0	109.0	57.09
4"	39.3	83.0	133.0	101.57



BFV

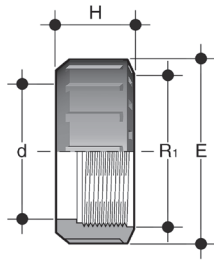
DRIEDELIGE KOPPELINGEN
RACCORDS-UNIONS 3 PIECES
SOCKET UNIONS

Beide zijden cilindrische binnendraad.
Afdichting : O-ring EPDM. Ook leverbaar met FPM-ring : zie hoofdstuk VII Toebeoren.

Deux côtés femelles à filetage cylindrique.
Etanchéité : joint torique EPDM. Egalement disponible avec joint torique FPM : voir chapitre VII Accessoires.

Both ends with interior parallel threads.
Sealing : O-ring EPDM. Also available with FPM ring : see chapter VII Accessories.

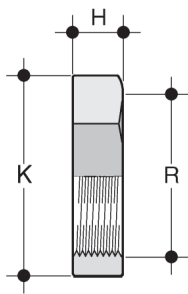
R	R1	H	L	Z	E	€/ST/PC
3/8"	3/4"	40	11.4	17.2	33	7.97
1/2"	1"	46	15.0	16.0	41	8.15
3/4"	1 1/4"	51	16.3	18.4	50	8.74
1"	1 1/2"	57	19.1	18.8	58	11.42
1 1/4"	2"	65	21.4	22.2	72	15.79
1 1/2"	2 1/4"	65	21.4	22.2	79	19.85
2"	2 3/4"	78	25.7	26.6	98	24.46



EFV

WARTELMOEREN
ECROUS FILETES
NUTS

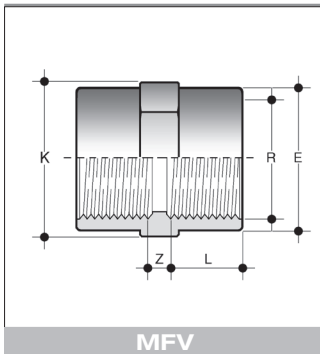
R ₁	PN	d	H	E	€/ST/PC
1/2"	16	17	24	27	1.24
3/4"	16	22	21	33	1.24
1"	16	28	22	41	2.77
1 1/4"	16	28	22	50	3.03
1 1/2"	16	36	25	58	5.06
2"	16	53	30	72	6.01
2 1/4"	16	59	34	79	13.17
2 1/2"	16	68	36	90	13.95
2 3/4"	16	74	38	98	14.22
3 1/2"	10	93	42	121	34.09
4"	10	105	46	140	41.69
5"	10	129	52	165	51.14



JFV

WARTELMOEREN
ECROUS FILETES
NUTS

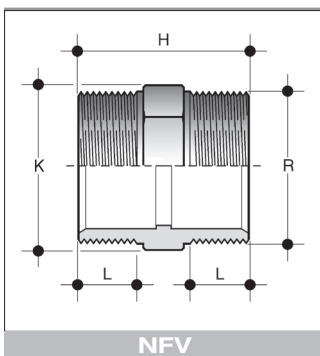
R	H	K	€/ST/PC
1/2"	13	28	4.79
3/4"	13	33	5.38
1"	10	54	5.39
1 1/4"	10	63	5.96
1 1/2"	19	60	31.79
2"	21	79	38.12



SOKKEN
MANCHONS
DOUBLE SOCKETS

Beide zijden cilindrische binnendraad.
Deux côtés femelles à filetage cylindrique.
Both ends with interior parallel thread.

R	L	Z	E	K	€/ST/PC
3/8"	11.4	8.0	23.5	24	2.20
1/2"	15.0	7.0	28.5	29	2.30
3/4"	16.3	8.5	35.0	35	2.62
1"	19.1	9.0	43.0	43	3.21
1 1/4"	21.4	11.0	50.0	50	4.04
1 1/2"	21.4	17.5	61.0	61	6.36
2"	25.7	19.5	76.0	76	8.24
2 1/2"	30.2	31.0	90.0	90	25.34
3"	33.3	40.5	108.0	108	30.69
4"	39.3	48.5	131.0	131	46.06



NIPPEL
MAMELON DOUBLE
NIPPLE

Beide zijden cilindrische buitendraad.
Deux côtés mâles à filetage cylindrique.
Both ends with exterior parallel thread.

R	E	L	K	H	G/ST/PC	€/ST/PC
3/8"	22	11.4	18	33	5	1.90
1/2"	28	15.0	23	41	10	2.02
3/4"	34	16.3	28	45	16	2.23
1"	40	19.1	35	51	27	2.34
1 1/4"	52	21.4	44	57	40	3.55
1 1/2"	58	21.4	51	58	55	4.45
2"	70	25.7	64	68	93	5.72
*2 1/2"	-	30.2	80	78	150	14.19
*3"	-	33.3	95	85	225	27.53
*4"	-	39.3	120	97	380	45.75

* PN 16 met gereduceerde veiligheidsfactor
* PN 16 avec un facteur de sécurité réduit
* PN 16 with reduced safety factor

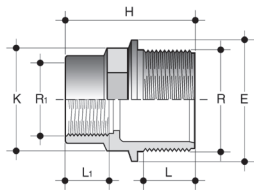


Fig. A

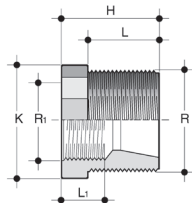


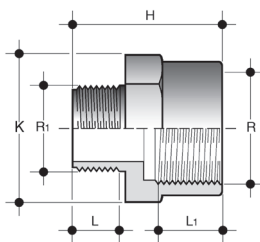
Fig. B

RFV

VERMINDERINGSSTUKKEN
REDUCTIONS
REDUCERS

Eén zijde cilindrische binnendraad, andere zijde cilindrische buitendraad.
Un côté femelle et un côté mâle à filetage cylindrique.
One end with interior threads, the other end with exterior parallel threads.

R x R ¹	L ¹	L	H	E	K	TYPE	€/ST/PC
1/2" x 3/8"	11.4	15.0	35	28	23	A	2.09
3/4" x 3/8"	11.4	16.3	36	34	28	A	2.09
3/4" x 1/2"	15.0	16.3	39	34	28	A	2.09
1" x 3/8"	11.4	19.1	41	40	35	A	2.62
1" x 1/2"	15.0	19.1	44	40	35	A	2.62
1" x 3/4"	16.3	19.1	46	40	35	A	2.62
1 1/4" x 1/2"	15.0	21.4	48	52	44	A	3.68
1 1/4" x 3/4"	16.3	21.4	49	52	44	A	3.68
1 1/4" x 1"	19.1	21.4	52	52	44	A	3.68
1 1/2" x 1/2"	15.0	21.4	52	58	51	A	4.83
1 1/2" x 3/4"	16.3	21.4	50	58	51	A	4.83
1 1/2" x 1"	19.1	21.4	55	58	51	A	4.83
1 1/2" x 1 1/4"	21.4	21.4	57	58	51	A	4.83
2" x 3/4"	16.3	25.7	60	70	64	A	6.86
2" x 1"	19.1	25.7	63	70	64	A	6.86
2" x 1 1/4"	21.4	25.7	65	70	64	A	6.86
2" x 1 1/2"	21.4	25.7	65	70	64	A	6.86
2 1/2" x 2"	25.7	30.2	56	-	80	B	18.51
3" x 2"	25.7	33.3	66	-	93	B	29.07
3" x 2 1/2"	30.2	33.3	66	-	93	B	29.07
4" x 3"	33.3	39.3	79	-	118	B	46.11

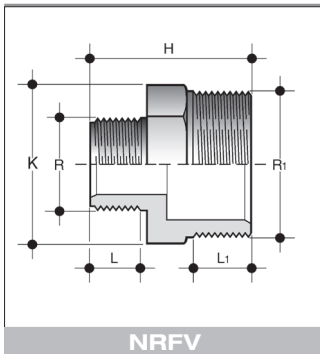


IFFV

VERMINDERINGSSTUKKEN
REDUCTIONS
REDUCERS

Met uitwendige en inwendige cilindrische draad.
Mâle et femelle à filetage cylindrique.
One end with interior parallel threads, other end with exterior parallel threads.

R ¹ x R	L	L ¹	H	K	€/ST/PC
1/2" x 3/4"	15.0	16.3	41.0	36	3.74
1/2" x 1"	15.0	15.1	43.5	46	3.98
3/4" x 1"	16.3	19.1	45.0	46	3.98
1" x 1 1/4"	19.1	21.4	55.0	55	5.80
1 1/4" x 1 1/2"	21.4	21.4	62.0	65	7.64
1 1/2" x 2"	21.4	25.7	69.0	80	13.40
2" x 2 1/2"	25.7	30.2	81.0	95	15.64
2 1/2" x 3"	30.2	33.3	93.0	110	25.46
3" x 4"	33.3	39.3	106.0	130	38.78

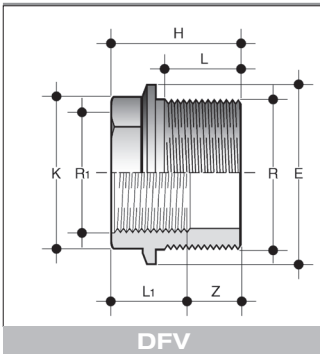


NRFV

VERMINDERINGSNIPPELS
MAMELONS DE REDUCTION
REDUCING BARREL NIPPELS

Beide zijden uitwendige cilindrische draad.
Deux côtés mâle à filetage cylindrique.
Both ends with exterior parallel thread.

R x R ₁	L	L ₁	H	K	€/ST/PC
1/2" x 3/4"	15.0	16.3	43	30	2.30
3/4" x 1"	16.3	19.1	48	36	3.58
1" x 1 1/4"	19.1	21.4	54	46	3.68
1 1/4" x 1 1/2"	21.4	21.4	57	50	5.51
1 1/2" x 2"	21.4	25.7	62	65	6.70
2" x 2 1/2"	25.7	30.2	73	80	14.80
2 1/2" x 3"	30.2	33.3	82	95	29.07
3" x 4"	33.3	39.3	90	120	44.22

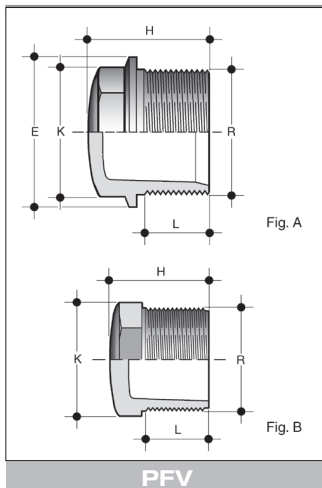


DFV

VERMINDERINGSBUSSEN
DOUILLES DE REDUCTION
REDUCING BUSHES

Met cilindrische binnen- en buitendraad.
Mâle et femelle à filetage cylindrique.
Interior and exterior parallel thread.

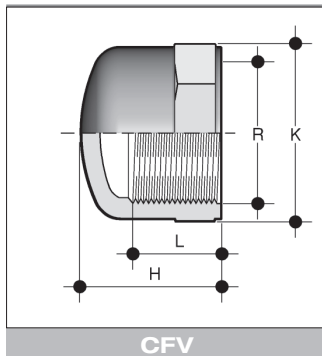
R x R ₁	L	L ₁	Z	H	E	K	€/ST/PC
1/2" x 3/8"	15.0	11.4	12.5	12.6	24.0	23	2.11
3/4" x 1/2"	16.3	15.0	11.5	11.5	26.5	28	2.46
1" x 3/4"	19.1	16.3	13.7	14.2	30.5	35	3.24
1 1/4" x 1"	21.4	19.1	14.4	14.9	34.0	44	4.14
1 1/2" x 1 1/4"	21.4	21.4	31.1	13.6	35.0	51	5.10
2" x 1 1/2"	25.7	21.4	18.6	18.6	40.0	64	6.86



DRAADSTOPPEN
BOUCHONS MALE
MALE PLUGS

Met cilindrische buitendraad.
Mâle à filetage cylindrique.
Exterior parallel threads.

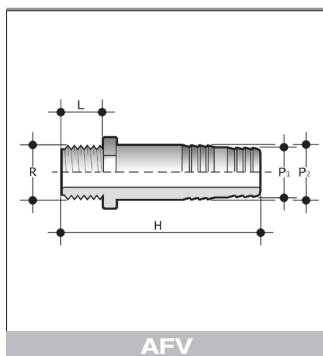
R	L	H	E	K	TYPE	€/ST/PC
3/8"	11.4	22	22	18	A	1.60
1/2"	15.0	26	28	23	A	1.79
3/4"	16.3	30	34	28	A	1.98
1"	19.1	34	40	35	A	2.30
1 1/4"	21.4	38	52	44	A	3.39
1 1/2"	21.4	40	58	51	A	4.30
2"	25.7	47	70	64	A	4.82
2 1/2"	30.2	61	-	80	B	22.08
3"	33.3	71	-	93	B	29.67
4"	39.3	87	-	118	B	66.68



AFSLUITKAPPEN
BOUCHONS
END CAPS

Met cilindrische binnendraad.
Femelle à filetage cylindrique.
Interior parallel thread.

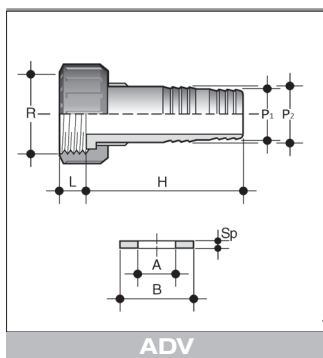
R	L	H	K	€/ST/PC
3/8"	11.4	19	23.0	1.90
1/2"	15.0	25	28.0	2.15
3/4"	16.3	27	34.0	2.80
1"	19.1	31	42.0	3.14
1 1/4"	21.4	35	51.0	3.96
1 1/2"	21.4	36	58.0	5.46
2"	25.7	42	71.0	7.13
3"	33.3	55	109.0	24.46



SLANGPILAREN
EMBOUITS CANNELES
HOSE ADAPTORS

Met cilindrische buitendraad.
Mâle à filetage cylindrique.
Exterior parallel thread.

P ₁ x P ₂ x R	L	H	€/ST/PC
12 x 14 x 1/4"	11.0	56	1.68
16 x 18 x 3/8"	11.4	58	1.94
20 x 22 x 1/2"	15.0	66	2.25
25 x 27 x 3/4"	16.3	81	2.51
30 x 32 x 1"	19.1	97	3.21
40 x 42 x 1 1/4"	21.4	104	4.30
50 x 52 x 1 1/2"	21.4	111	5.47
60 x 64 x 2"	25.7	123	8.49



SLANGPILAREN
EMBOUITS CANNELES
HOSE ADAPTORS

Aansluiting met wartelmoer met cilindrische binnendraad.
Afdichting : vlakke EPDM-ring of FPM.

Raccordement par écrou femelle à filetage cylindrique.
Étanchéité : joint plat EPDM ou FPM.

With parallel threaded nut connection.
Flat seal : EPDM or FPM.

P ₁ x P ₂ x R	L	H	€/ST/PC
12 x 14 x 1/2"	14.0	56	3.68
16 x 18 x 3/4"	11.5	60	4.83
20 x 22 x 1"	11.0	67	5.11
25 x 27 x 1 1/4"	14.0	81	5.87
30 x 32 x 1 1/2"	16.0	97	6.86
40 x 42 x 2"	18.0	104	9.01
50 x 52 x 2"	16.0	111	14.36
50 x 52 x 2 1/4"	17.5	111	14.36
60 x 64 x 2 1/2"	19.0	123	31.20
60 x 64 x 2 3/4"	20.0	123	31.20