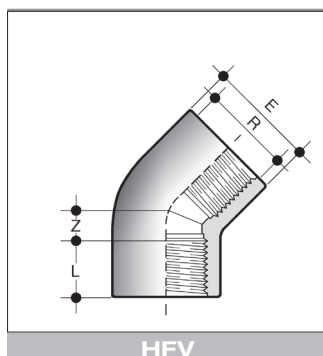


KNIEEN 90°  
COUDES 90°  
ELBOWS 90°

Beide zijden cilindrische binnendraad.  
Deux côtés femelles à filetage cylindrique.  
Both ends with interior parallel threads.

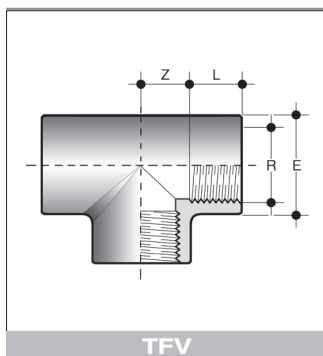
R	L	Z	E	€/ST/PC
<b>3/8"</b>	11.4	13	23.5	<b>2.09</b>
<b>1/2"</b>	15.0	13	28.5	<b>2.25</b>
<b>3/4"</b>	16.3	17	35.0	<b>2.74</b>
<b>1"</b>	19.1	21	43.0	<b>3.26</b>
<b>1 1/4"</b>	21.4	27	50.0	<b>5.44</b>
<b>1 1/2"</b>	21.4	36	61.0	<b>8.00</b>
<b>2"</b>	25.7	46	76.0	<b>11.63</b>
<b>2 1/2"</b>	30.2	55	90.0	<b>29.22</b>
<b>3"</b>	33.3	66	108.0	<b>43.00</b>
<b>4"</b>	39.3	80	131.0	<b>68.01</b>



KNIEEN 45°  
COUDES 45°  
ELBOWS 45°

Alle zijden cilindrische binnendraad.  
Deux côtés femelles à filetage cylindrique.  
All ends with interior parallel threads.

R	L	Z	E	€/ST/PC
<b>1/2"</b>	15.0	6.5	28	<b>5.38</b>
<b>3/4"</b>	16.3	8.0	33	<b>5.49</b>
<b>1"</b>	19.1	10.4	41	<b>7.13</b>
<b>1 1/4"</b>	21.4	15.0	50	<b>9.35</b>
<b>1 1/2"</b>	21.4	21.0	64	<b>13.41</b>
<b>2"</b>	25.7	26.0	76	<b>19.43</b>
<b>2 1/2"</b>	31.0	31.0	90	<b>44.82</b>
<b>3"</b>	33.3	39.0	107	<b>60.99</b>

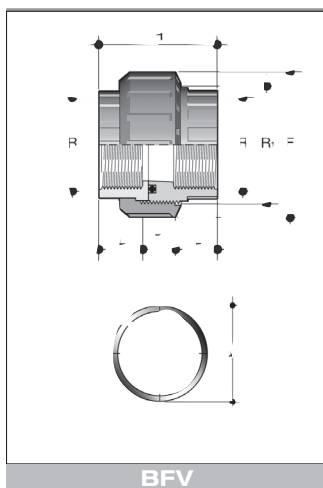


TFV

T-STUKKEN 90°  
TES A 90°  
TEES 90°

Alle zijden cilindrische binnendraad.  
Trois côtés femelles à filetage cylindrique.  
All ends with interior parallel threads.

R	L	Z	E	€/ST/PC
3/8"	11.4	13.0	23.5	2.46
1/2"	15.0	13.0	28.5	2.62
3/4"	16.3	17.0	35.0	3.39
1"	19.1	21.5	43.0	4.30
1 1/4"	21.4	27.0	50.0	6.08
1 1/2"	21.4	37.0	61.0	9.53
2"	25.7	46.0	76.0	17.81
2 1/2"	30.2	55.0	90.0	40.61
3"	33.3	66.0	109.0	57.09
4"	39.3	83.0	133.0	101.57



BFV

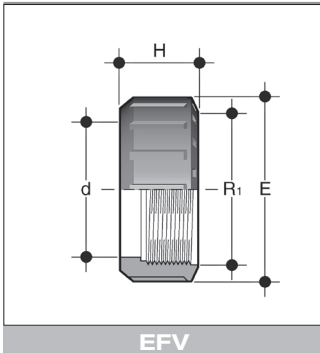
DRIEDELIGE KOPPELINGEN  
RACCORDS-UNIONS 3 PIECES  
SOCKET UNIONS

Beide zijden cilindrische binnendraad.  
Afdichting : O-ring EPDM. Ook leverbaar met FPM-ring : zie hoofdstuk VII Toebeoren.

Deux côtés femelles à filetage cylindrique.  
Etanchéité : joint torique EPDM. Egalement disponible avec joint torique FPM : voir chapitre VII Accessoires.

Both ends with interior parallel threads.  
Sealing : O-ring EPDM. Also available with FPM ring : see chapter VII Accessories.

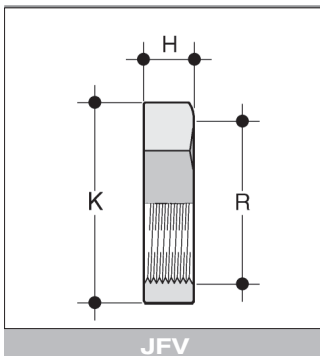
R	R1	H	L	Z	E	€/ST/PC
3/8"	3/4"	40	11.4	17.2	33	7.97
1/2"	1"	46	15.0	16.0	41	8.15
3/4"	1 1/4"	51	16.3	18.4	50	8.74
1"	1 1/2"	57	19.1	18.8	58	11.42
1 1/4"	2"	65	21.4	22.2	72	15.79
1 1/2"	2 1/4"	65	21.4	22.2	79	19.85
2"	2 3/4"	78	25.7	26.6	98	24.46



EFV

WARTELMOEREN  
ECROUS FILETES  
NUTS

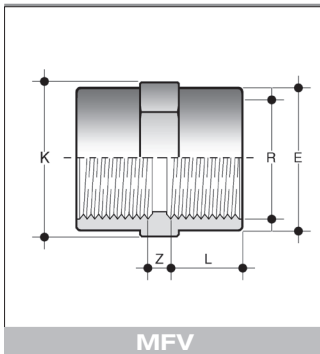
	R <sub>1</sub>	PN	d	H	E	€/ST/PC
3/8"	16	13	20	23	1.24	
1/2"	16	17	24	27	1.24	
3/4"	16	22	21	33	1.24	
1"	16	28	22	41	2.77	
1 1/4"	16	28	22	50	3.03	
1 1/2"	16	36	25	58	5.06	
2"	16	53	30	72	6.01	
2 1/4"	16	59	34	79	13.17	
2 1/2"	16	68	36	90	13.95	
2 3/4"	16	74	38	98	14.22	
3 1/2"	10	93	42	121	34.09	
4"	10	105	46	140	41.69	
5"	10	129	52	165	51.14	



JFV

WARTELMOEREN  
ECROUS FILETES  
NUTS

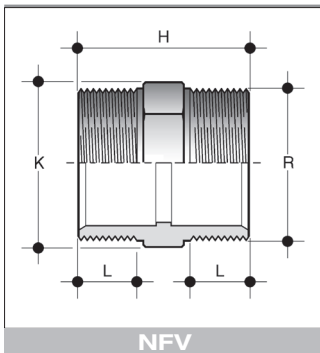
	R	H	K	€/ST/PC
1/2"	13	28	4.79	
3/4"	13	33	5.38	
1"	10	54	5.39	
1 1/4"	10	63	5.96	
1 1/2"	19	60	31.79	
2"	21	79	38.12	



SOKKEN  
MANCHONS  
DOUBLE SOCKETS

Beide zijden cilindrische binnendraad.  
Deux côtés femelles à filetage cylindrique.  
Both ends with interior parallel thread.

R	L	Z	E	K	€/ST/PC
3/8"	11.4	8.0	23.5	24	2.20
1/2"	15.0	7.0	28.5	29	2.30
3/4"	16.3	8.5	35.0	35	2.62
1"	19.1	9.0	43.0	43	3.21
1 1/4"	21.4	11.0	50.0	50	4.04
1 1/2"	21.4	17.5	61.0	61	6.36
2"	25.7	19.5	76.0	76	8.24
2 1/2"	30.2	31.0	90.0	90	25.34
3"	33.3	40.5	108.0	108	30.69
4"	39.3	48.5	131.0	131	46.06



NIPPEL  
MAMELON DOUBLE  
NIPPLE

Beide zijden cilindrische buitendraad.  
Deux côtés mâles à filetage cylindrique.  
Both ends with exterior parallel thread.

R	E	L	K	H	G/ST/PC	€/ST/PC
3/8"	22	11.4	18	33	5	1.90
1/2"	28	15.0	23	41	10	2.02
3/4"	34	16.3	28	45	16	2.23
1"	40	19.1	35	51	27	2.34
1 1/4"	52	21.4	44	57	40	3.55
1 1/2"	58	21.4	51	58	55	4.45
2"	70	25.7	64	68	93	5.72
*2 1/2"	-	30.2	80	78	150	14.19
*3"	-	33.3	95	85	225	27.53
*4"	-	39.3	120	97	380	45.75

\* PN 16 met gereduceerde veiligheidsfactor  
\* PN 16 avec un facteur de sécurité réduit  
\* PN 16 with reduced safety factor

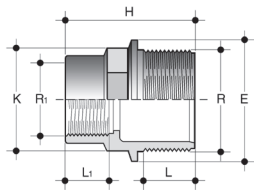


Fig. A

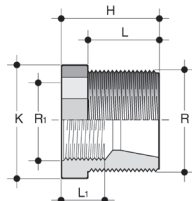


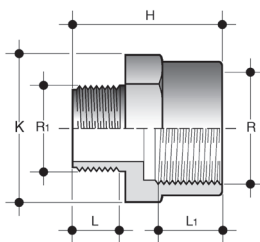
Fig. B

RFV

VERMINDERINGSSTUKKEN  
REDUCTIONS  
REDUCERS

Eén zijde cilindrische binnendraad, andere zijde cilindrische buitendraad.  
Un côté femelle et un côté mâle à filetage cylindrique.  
One end with interior threads, the other end with exterior parallel threads.

R x R <sup>1</sup>	L <sup>1</sup>	L	H	E	K	TYPE	€/ST/PC
1/2" x 3/8"	11.4	15.0	35	28	23	A	2.09
3/4" x 3/8"	11.4	16.3	36	34	28	A	2.09
3/4" x 1/2"	15.0	16.3	39	34	28	A	2.09
1" x 3/8"	11.4	19.1	41	40	35	A	2.62
1" x 1/2"	15.0	19.1	44	40	35	A	2.62
1" x 3/4"	16.3	19.1	46	40	35	A	2.62
1 1/4" x 1/2"	15.0	21.4	48	52	44	A	3.68
1 1/4" x 3/4"	16.3	21.4	49	52	44	A	3.68
1 1/4" x 1"	19.1	21.4	52	52	44	A	3.68
1 1/2" x 1/2"	15.0	21.4	52	58	51	A	4.83
1 1/2" x 3/4"	16.3	21.4	50	58	51	A	4.83
1 1/2" x 1"	19.1	21.4	55	58	51	A	4.83
1 1/2" x 1 1/4"	21.4	21.4	57	58	51	A	4.83
2" x 3/4"	16.3	25.7	60	70	64	A	6.86
2" x 1"	19.1	25.7	63	70	64	A	6.86
2" x 1 1/4"	21.4	25.7	65	70	64	A	6.86
2" x 1 1/2"	21.4	25.7	65	70	64	A	6.86
2 1/2" x 2"	25.7	30.2	56	-	80	B	18.51
3" x 2"	25.7	33.3	66	-	93	B	29.07
3" x 2 1/2"	30.2	33.3	66	-	93	B	29.07
4" x 3"	33.3	39.3	79	-	118	B	46.11

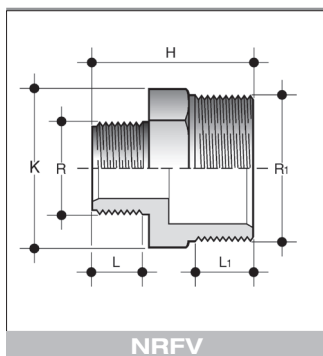


IFFV

VERMINDERINGSSTUKKEN  
REDUCTIONS  
REDUCERS

Met uitwendige en inwendige cilindrische draad.  
Mâle et femelle à filetage cylindrique.  
One end with interior parallel threads, other end with exterior parallel threads.

R <sup>1</sup> x R	L	L <sup>1</sup>	H	K	€/ST/PC
1/2" x 3/4"	15.0	16.3	41.0	36	3.74
1/2" x 1"	15.0	15.1	43.5	46	3.98
3/4" x 1"	16.3	19.1	45.0	46	3.98
1" x 1 1/4"	19.1	21.4	55.0	55	5.80
1 1/4" x 1 1/2"	21.4	21.4	62.0	65	7.64
1 1/2" x 2"	21.4	25.7	69.0	80	13.40
2" x 2 1/2"	25.7	30.2	81.0	95	15.64
2 1/2" x 3"	30.2	33.3	93.0	110	25.46
3" x 4"	33.3	39.3	106.0	130	38.78

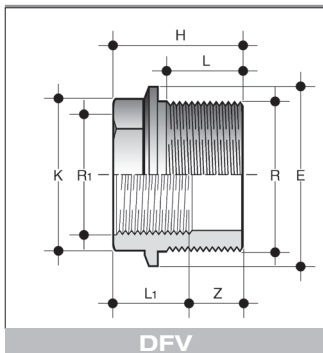


NRFV

VERMINDERINGSNIPPELS  
MAMELONS DE REDUCTION  
REDUCING BARREL NIPPELS

Beide zijden uitwendige cilindrische draad.  
Deux côtés mâle à filetage cylindrique.  
Both ends with exterior parallel thread.

R x R <sub>1</sub>	L	L <sub>1</sub>	H	K	€/ST/PC
1/2" x 3/4"	15.0	16.3	43	30	2.30
3/4" x 1"	16.3	19.1	48	36	3.58
1" x 1 1/4"	19.1	21.4	54	46	3.68
1 1/4" x 1 1/2"	21.4	21.4	57	50	5.51
1 1/2" x 2"	21.4	25.7	62	65	6.70
2" x 2 1/2"	25.7	30.2	73	80	14.80
2 1/2" x 3"	30.2	33.3	82	95	29.07
3" x 4"	33.3	39.3	90	120	44.22

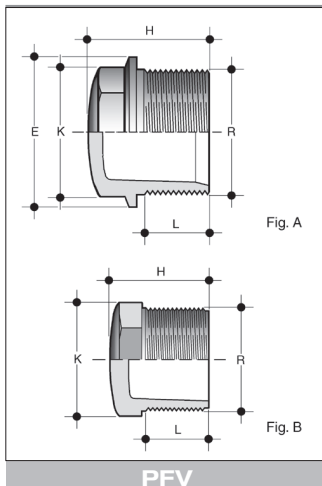


DFV

VERMINDERINGSBUSSEN  
DOUILLES DE REDUCTION  
REDUCING BUSHES

Met cilindrische binnen- en buitendraad.  
Mâle et femelle à filetage cylindrique.  
Interior and exterior parallel thread.

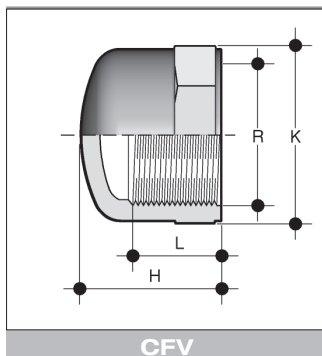
R x R <sub>1</sub>	L	L <sub>1</sub>	Z	H	E	K	€/ST/PC
1/2" x 3/8"	15.0	11.4	12.5	12.6	24.0	23	2.11
3/4" x 1/2"	16.3	15.0	11.5	11.5	26.5	28	2.46
1" x 3/4"	19.1	16.3	13.7	14.2	30.5	35	3.24
1 1/4" x 1"	21.4	19.1	14.4	14.9	34.0	44	4.14
1 1/2" x 1 1/4"	21.4	21.4	31.1	13.6	35.0	51	5.10
2" x 1 1/2"	25.7	21.4	18.6	18.6	40.0	64	6.86



DRAADSTOPPEN  
BOUCHONS MALE  
MALE PLUGS

Met cilindrische buitendraad.  
Mâle à filetage cylindrique.  
Exterior parallel threads.

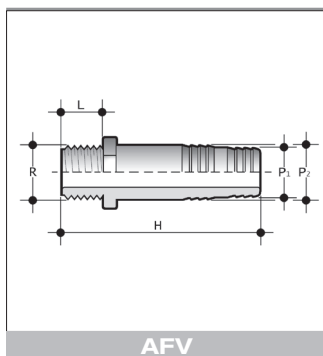
R	L	H	E	K	TYPE	€/ST/PC
<b>3/8"</b>	11.4	22	22	18	A	<b>1.60</b>
<b>1/2"</b>	15.0	26	28	23	A	<b>1.79</b>
<b>3/4"</b>	16.3	30	34	28	A	<b>1.98</b>
<b>1"</b>	19.1	34	40	35	A	<b>2.30</b>
<b>1 1/4"</b>	21.4	38	52	44	A	<b>3.39</b>
<b>1 1/2"</b>	21.4	40	58	51	A	<b>4.30</b>
<b>2"</b>	25.7	47	70	64	A	<b>4.82</b>
<b>2 1/2"</b>	30.2	61	-	80	B	<b>22.08</b>
<b>3"</b>	33.3	71	-	93	B	<b>29.67</b>
<b>4"</b>	39.3	87	-	118	B	<b>66.68</b>



AFSLUITKAPPEN  
BOUCHONS  
END CAPS

Met cilindrische binnendraad.  
Femelle à filetage cylindrique.  
Interior parallel thread.

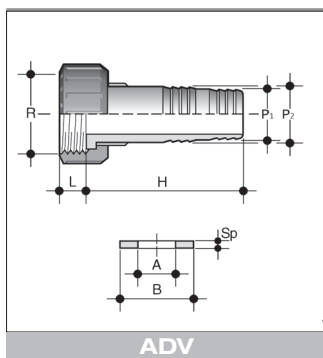
R	L	H	K	€/ST/PC
<b>3/8"</b>	11.4	19	23.0	<b>1.90</b>
<b>1/2"</b>	15.0	25	28.0	<b>2.15</b>
<b>3/4"</b>	16.3	27	34.0	<b>2.80</b>
<b>1"</b>	19.1	31	42.0	<b>3.14</b>
<b>1 1/4"</b>	21.4	35	51.0	<b>3.96</b>
<b>1 1/2"</b>	21.4	36	58.0	<b>5.46</b>
<b>2"</b>	25.7	42	71.0	<b>7.13</b>
<b>3"</b>	33.3	55	109.0	<b>24.46</b>



SLANGPILAREN  
EMBOUITS CANNELES  
HOSE ADAPTORS

Met cilindrische buitendraad.  
Mâle à filetage cylindrique.  
Exterior parallel thread.

P <sub>1</sub> x P <sub>2</sub> x R	L	H	€/ST/PC
12 x 14 x 1/4"	11.0	56	1.68
16 x 18 x 3/8"	11.4	58	1.94
20 x 22 x 1/2"	15.0	66	2.25
25 x 27 x 3/4"	16.3	81	2.51
30 x 32 x 1"	19.1	97	3.21
40 x 42 x 1 1/4"	21.4	104	4.30
50 x 52 x 1 1/2"	21.4	111	5.47
60 x 64 x 2"	25.7	123	8.49



SLANGPILAREN  
EMBOUITS CANNELES  
HOSE ADAPTORS

Aansluiting met wartelmoer met cilindrische binnendraad.  
Afdichting : vlakke EPDM-ring of FPM.

Raccordement par écrou femelle à filetage cylindrique.  
Étanchéité : joint plat EPDM ou FPM.

With parallel threaded nut connection.  
Flat seal : EPDM or FPM.

P <sub>1</sub> x P <sub>2</sub> x R	L	H	€/ST/PC
12 x 14 x 1/2"	14.0	56	3.68
16 x 18 x 3/4"	11.5	60	4.83
20 x 22 x 1"	11.0	67	5.11
25 x 27 x 1 1/4"	14.0	81	5.87
30 x 32 x 1 1/2"	16.0	97	6.86
40 x 42 x 2"	18.0	104	9.01
50 x 52 x 2"	16.0	111	14.36
50 x 52 x 2 1/4"	17.5	111	14.36
60 x 64 x 2 1/2"	19.0	123	31.20
60 x 64 x 2 3/4"	20.0	123	31.20