

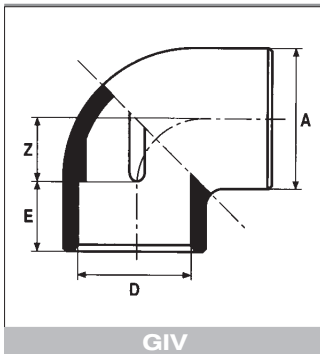
VINKAIR BUIZEN
TUYAUX VINKAIR
VINKAIR PIPES

LICHTBLAUW NF A 571
BLEU CLAIR NF A 571
LIGHT BLUE NF A 571

L = 4m

gladde uiteinden
bouts lisse
butt ends

Dxs	DN	PN	KG/M	€/M
16 x 1,8	10	12.5	0.106	4.58
20 x 2,3	15	12.5	0.168	5.79
25 x 2,8	20	12.5	0.257	8.23
32 x 2,9	25	12.5	0.340	12.42
40 x 3,7	32	12.5	0.542	20.64
50 x 4,6	40	12.5	0,842	27.92
63 x 5,8	50	12.5	1.334	36.51
75 x 6,8	65	12.5	2.090	54.05
90 x 8,2	80	12.5	3.030	76.48
110 x 10,0	100	12.5	4.480	108.57

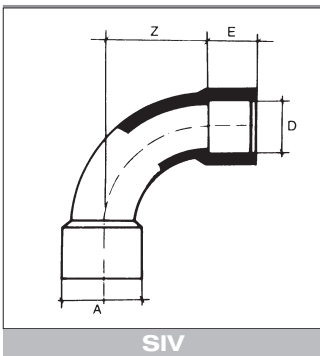


KNIEEN 90°
COUDES A 90°
ELBOWS 90°

PN 12.5

Beide zijden lijmmof / Deux côtés femelles à coller / Sockets for solvent welding

D	DN	Z	E	A	€/ST/PC
16	10	10.0	9.0	21.0	2.15
20	15	11.0	17.0	26.0	2.40
25	20	14.5	19.5	30.5	3.20
32	25	18.0	23.0	38.0	5.08
40	32	23.0	27.0	49.0	8.01
50	40	27.0	31.5	58.0	10.36
63	50	33.0	38.0	73.0	16.04
75	65	39.0	44.0	92.5	34.13
90	80	49.0	52.5	112.0	46.78
110	100	58.0	62.0	131.5	70.49

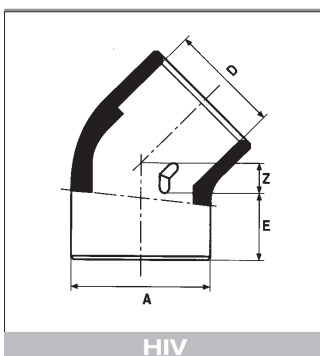


BOCHTEN 90°
COURBES A 90°
BENDS 90°

PN 12.5

Beide zijden lijmmof / Deux côtés femelles à coller / Sockets for solvent welding

D	DN	Z	E	A	R	€/ST/PC
50	40	99	31	64	-	28.43
63	50	127	38	80	-	33.77
75	65	240	62	86	225	87.06
90	80	288	72	103	270	127.94
110	100	352	88	126	330	194.80

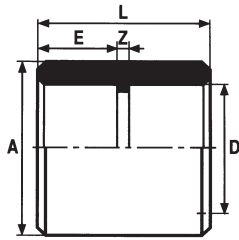


KNIEEN 45°
COUDES A 45°
ELBOWS 45°

PN 12.5

Beide zijden lijmmof / Deux côtés femelles à coller / Sockets for solvent welding

D	DN	Z	E	A	€/ST/PC
16	10	4.5	14.5	21.0	1.30
20	15	4.5	17.0	25.5	1.39
25	20	5.5	19.5	31.5	1.94
32	25	8.0	23.0	39.5	3.02
40	32	9.5	27.0	49.0	4.63
50	40	11.5	32.0	58.0	6.04
63	50	14.0	38.0	72.5	9.24
75	65	18.0	44.0	92.0	18.51
90	80	22.0	52.0	109.0	25.64
110	100	24.0	62.0	131.5	38.42



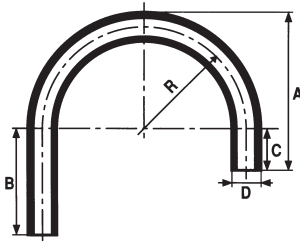
MIV

SOKKEN
MANCHONS
SOCKETS

PN 12.5

Beide zijden lijmmof
Deux côtés femelles à coller
Sockets for solvent welding

D	DN	Z	E	A	L	€/ST/PC
16	10	3.0	15.0	33.0	22.0	1.97
20	15	3.0	17.0	26.0	37.0	2.25
25	20	2.5	20.0	31.5	42.5	2.63
32	25	3.5	23.0	38.0	49.5	3.49
40	32	4.0	26.5	48.0	57.0	5.19
50	40	3.0	32.0	59.5	67.0	8.27
63	50	4.0	38.0	75.5	80.0	10.75
75	65	4.0	45.0	91.0	94.0	25.17
90	80	5.0	52.0	106.5	109.0	45.34
110	100	6.0	62.0	126.5	130.0	66.08



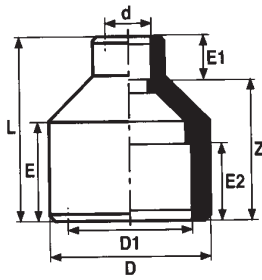
ZIV

U-BOCHTEN 180°
COURBES U A 180°
U BENDS 180°

PN 12.5

Beide zijden lijmuiteinden.
Deux côtés mâles à coller.
Sockets for spigot welding.

D	DN	R	A	B	C	€/ST/PC
16	10	64	89.0	90	17	21.08
20	15	70	100.0	90	20	21.75
25	20	75	110.5	90	23	21.99
32	25	95	138.0	140	27	29.99



RIV

VERLOOPSTUKKEN
REDUCTIONS
REDUCERS

PN 12.5

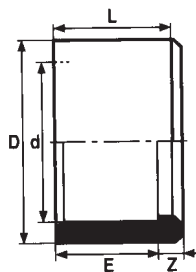
Met in- en uitwendige lijmaansluiting
A coller sur l'extérieur et à l'intérieur
Spigot and socket for solvent welding

D-d	DN	D1	Z	E	E1	E2	L	€/ST/PC
25-16	20-10	16.5	25.5	19.0	14.5	14.0	40.0	3.35
32-20	25-15	*25.0	31.0	22.5	17.0	19.5	48.0	4.18
40-25	32-20	*32.0	36.5	27.0	19.5	21.5	56.0	5.73
50-32	40-25	*40.0	45.0	32.0	23.0	27.5	68.0	6.55
63-32	50-25	50.0	55.5	38.5	23.0	32.0	78.5	10.66
63-40	50-32	50.0	55.5	38.5	27.0	32.0	82.5	10.66
75-32	65-25	61.0	62.0	45.0	22.5	38.0	85.0	31.00
90-50	80-40	*75.0	74.5	53.0	32.0	44.0	106.5	45.10
90-63	80-50	*75.0	75.0	53.0	38.5	44.5	113.5	45.10
110-50	100-40	*90.0	90.5	62.0	32.0	52.5	122.5	67.27
110-63	100-50	*90.0	92.0	63.5	38.0	54.0	130.0	67.27

* eventueel als lijmmof te gebruiken

* éventuellement à utiliser comme manchon à coller

* possible for use as welding socket



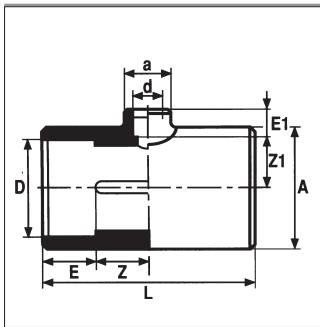
DIV

VERMINDERINGSRINGEN
DOUILLES DE REDUCTIONS
REDUCING BUSHES

PN 12.5

Met in- en uitwendige lijmaansluiting
A coller sur l'extérieur et à l'intérieur
Spigot and socket for solvent welding

D-d	DN	Z	E	L	€/ST/PC
20-16	15	2.5	15.0	17.5	1.85
25-20	20	3.5	17.0	20.5	1.96
32-25	25	5.0	19.5	24.5	2.63
40-32	32	6.0	23.0	29.0	3.45
50-40	40	5.0	27.0	32.0	4.51
63-50	50	7.0	31.5	38.5	6.36
75-63	65	7.5	37.0	44.5	14.65
90-75	80	8.0	44.0	52.0	30.80
110-90	100	10.5	52.0	62.5	48.97



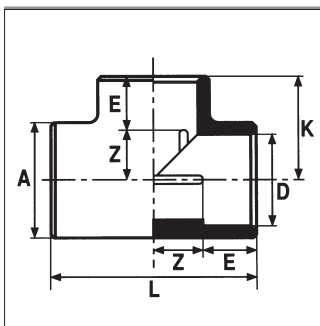
TRIV

VERLOOP T-STUKKEN 90°
TES REDUITS A 90°
REDUCED TEES 90°

PN 12.5

Alle zijden lijmmof
Trois côtés femelles à coller
Sockets for solvent welding

D-d	DN	Z	Z1	E	E1	L	A	a	€/ST/PC
20-16	15-10	11.0	11.0	17.0	15.0	56.0	26.0	21.0	4.32
25-16	20-10	14.0	14.0	18.5	14.0	66.0	31.0	21.0	5.40
25-20	20-15	13.5	13.0	19.5	16.0	66.0	31.0	26.0	5.40
32-16	25-10	17.0	18.0	23.0	14.0	82.5	44.5	24.0	9.92
32-20	25-15	17.5	18.5	23.5	16.5	82.0	39.0	26.5	9.92
32-25	25-20	18.0	20.0	23.0	19.0	82.0	39.0	31.5	9.92
40-20	32-15	22.0	23.0	27.0	17.0	97.5	49.5	26.5	11.08
40-25	32-20	22.0	23.0	27.0	19.5	97.5	49.5	31.5	11.08
40-32	32-25	22.0	22.0	27.0	23.0	97.5	49.5	39.5	14.10
50-25	40-20	26.5	28.0	31.0	20.0	114.5	60.5	33.0	14.94
50-32	40-25	26.5	28.0	31.0	23.0	115.0	61.0	41.0	14.94
50-40	40-32	26.5	27.0	31.0	26.0	115.0	61.0	50.0	14.94
63-20	50-15	34.0	32.5	38.0	17.5	143.0	80.0	38.0	20.69
63-25	50-20	33.5	35.0	38.5	20.0	144.0	80.0	37.0	21.74
63-32	50-25	33.5	35.0	38.5	23.5	144.0	80.0	45.0	21.74
63-40	50-32	33.5	36.0	38.5	27.5	144.0	80.0	54.5	21.74
75-25	65-20	39.0	40.0	44.5	19.5	167.0	92.5	37.0	37.36
75-32	65-25	38.5	38.5	44.5	23.0	166.5	92.5	45.0	37.36
90-25	80-20	46.0	46.5	52.5	19.5	197.0	114.5	37.5	76.32



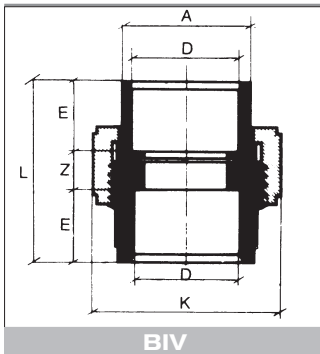
TIV

T-STUKKEN 90°
TES A 90°
TEES 90°

PN 12.5

Alle zijden lijmmof
Trois côtés femelles à coller
Sockets for solvent welding

D	DN	Z	E	A	L	K	€/ST/PC
16	10	9,0	14,0	21,0	48,0	24	3.24
20	15	11,0	17,0	26,0	56,0	28	3.29
25	20	14,0	19,0	31,5	66,5	34	4.60
32	25	18,5	22,5	39,5	82,0	41	6.65
40	32	22,0	27,0	49,5	97,5	50	10.49
50	40	26,5	31,0	61,0	115,0	58	14.85
63	50	32,5	38,5	78,0	142,0	72	23.28
75	65	39,0	44,5	91,5	166,5	83	50.04
90	80	45,0	53,0	112,0	196,5	98	70.72
110	100	55,5	62,5	132,0	236,0	119	136.56



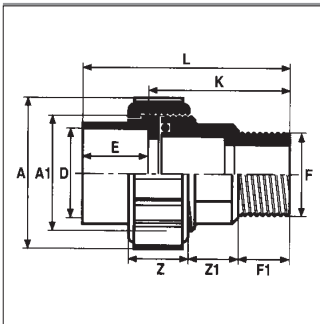
BIV

DRIEDELIGE KOPPELINGEN
RACCORDS UNION 3 PIECES
SOCKET UNIONS 3 PIECES

PN 12.5

Alle zijden lijmmof, dichting EPDM
Trois côtés femelles à coller, joint EPDM
Sockets for solvent welding, seal EPDM

D	DN	Z	E	A	K	L	€/ST/PC
16	10	14.0	15.0	22.0	34.5	44.0	11.52
20	15	14.0	16.5	27.5	42.5	47.0	11.52
25	20	13.5	19.0	36.0	54.5	51.5	11.52
32	25	14.5	22.5	41.5	62.5	59.5	13.01
40	32	15.0	27.0	53.0	75.5	69.0	18.84
50	40	19.0	31.5	59.0	83.0	82.0	22.09
63	50	22.0	38.5	74.0	100.5	99.0	29.37



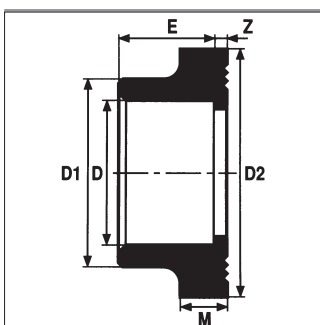
BFMV

DRIEDELIGE KOPPELINGEN
RACCORDS UNION 3 PIECES
SOCKET UNIONS 3 PIECES

PN 12.5

Eén zijde lijmmof, één zijde buitendraad, dichting EPDM
Un côté femelle à coller, autre côté filetage male, joint EPDM
One end socket for solvent welding, other end male tread, seal EPDM

D x G	DN	Z	Z1	F1	L	A	A1	K	E	€/ST/PC
16 x 3/8"	10	19.0	11.5	11.5	52.0	36.0	3/4"	36.5	15.5	13.12
20 x 1/2"	15	23.0	11.0	16.5	61.0	42.0	1"	40.0	17.0	14.54
25 x 3/4"	20	25.0	17.0	18.0	72.0	55.0	1 1/4"	49.0	19.0	15.86
32 x 1"	25	26.0	17.5	20.5	80.5	62.5	1 1/2"	53.5	23.0	20.55
40 x 1 1/4"	32	30.5	17.0	23.0	88.0	73.0	2"	57.5	27.0	31.53
50 x 1 1/2"	40	34.0	21.0	27.0	109.0	81.5	2 1/4"	62.0	32.0	31.83
63 x 2"	50	38.0	22.0	31.5	125.0	99.0	2 3/4"	68.0	38.0	38.19



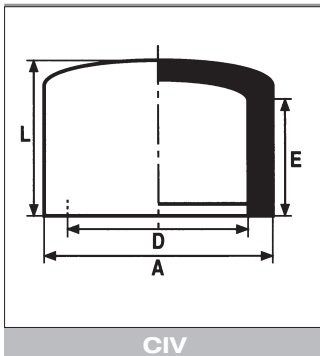
QPV

GEGROEFDE KRAAGBUSSEN
COLLETS STRIES
GROOVED COLLARS

PN 12.5

Met lijmmof, geleverd zonder dichtingsring
Un côté femelle à coller, livré sans joint
Socket for solvent welding, delivered without seal

D	DN	Z	E	D2	M	D1	€/ST/PC
50	40	3	32.0	73	8	61	12.57
63	50	3	38.5	90	9	76	17.76
75	65	3	44.0	106	10	90	30.67
90	80	5	52.0	125	11	108	43.49
110	100	5	62.0	150	12	130	60.60

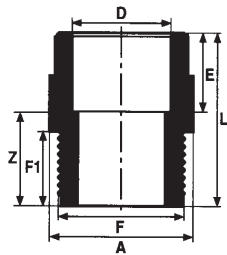


EINDKAPPEN
BOUCHONS FEMELLES
END CAPS

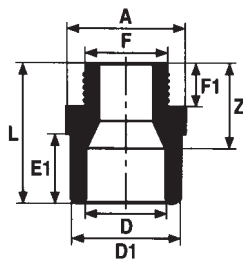
PN 12.5

Met lijmaansluiting
Côté femelle à coller
Socket for solvent welding

D	DN	E	L	A	€/ST/PC
16	10	14.0	20.0	24.0	1.85
20	15	17.5	22.0	26.0	2.15
25	20	19.5	25.5	31.5	2.46
32	25	24.0	30.0	39.5	3.24
40	32	28.0	36.5	48.0	5.16
50	40	33.0	43.0	59.5	6.45
63	50	40.5	52.5	75.0	8.83
75	65	52.0	77.0	91.0	21.96
90	80	59.0	91.5	107.5	30.70
110	100	66.0	109.5	129.0	52.32



KIFV - Type A



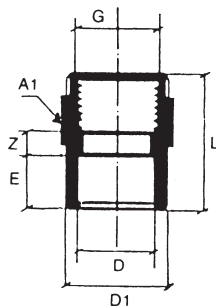
KIFV - Type B

OVERGANGSSTUKKEN
EMBOUTS D'ADAPTATION
ADAPTOR COUPLINGS

PN 12.5

Eén zijde cilindrische buitendraad, andere zijde inwendige lijmaansluiting.
Un côté mâle à filetage cylindrique, l'autre à coller comme femelle.
One end male parallel threaded, the other end socket for solvent welding.

D x G	D1	Z	E	A	L	F1	E1	TYPE	€/ST/PC
16 x 1/2"		27.5	15.0	24.5	42.5	15.0		A	3.79
*16 x 3/8"	20	24.5	15.0	25.0	39.5	12.0	17.0	B	9.28
*20 x 1/2"	25	29.0	17.0	30.0	46.0	15.0	19.0	B	10.85
20 x 3/4"		31.5	17.0	30.0	48.5	17.0		A	4.42
*25 x 3/4"	32	33.5	19.5	36.5	53.0	17.0	23.0	B	12.70
25 x 1"		35.0	21.0	36.5	56.0	19.5		A	4.51
*32 x 1"	40	43.5	22.5	47.0	66.0	20.0	27.0	B	16.58
32 x 1 1/4"		40.0	23.0	47.0	63.0	21.5		A	7.34
*40 x 1 1/4"	50	45.0	26.5	55.0	71.5	21.5	32.0	B	29.81
40 x 1 1/2"		42.5	27.0	48.0	69.5	22.5		A	13.68
*50 x 1 1/2"	63	46.0	31.5	68.0	77.5	23.0	38.5	B	39.12
50 x 2"		49.5	32.5	60.0	82.0	27.0		A	19.50
*63 x 2"	75	49.0	38.5	78.5	87.5	27.5	44.0	B	52.08
*75 x 2 1/2"	90	49.5	45.0	94.0	94.5	30.5	51.8	B	63.62



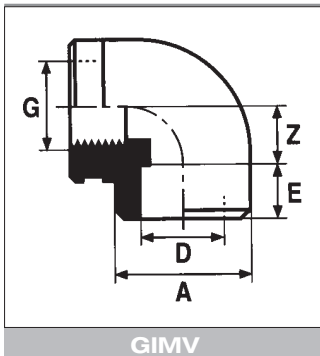
DIMV

OVERGANGSSTUKKEN
EMBOUTS D'ADAPTATION
ADAPTOR COUPLINGS

PN 12.5

Eén zijde lijmof of spie, de andere inwendige draad met (BSP) met metalen versterkingsring.
Un côté à coller, l'autre côté taraudage pas gaz cylindrique avec bague métallique de renforcement.
One end for solvent welding, the other end female threaded (BSP) with metal reinforcing ring.

D' x D x G	DN	Z	E	L	A'	€/ST/PC
20 x 16 x 3/8"	10	5	14.0	31	23	9.28
25 x 20 x 1/2"	15	5	16.0	38	27	10.85
32 x 25 x 3/4"	20	5	19.0	42	34	12.70
40 x 32 x 1"	25	5	22.0	48	41	16.58
50 x 40 x 1 1/4"	32	11	27.5	58	55	29.83
63 x 50 x 1 1/2"	40	19	31.0	64	65	39.50
75 x 63 x 2"	50	19	32.0	85	70	52.08



GIMV

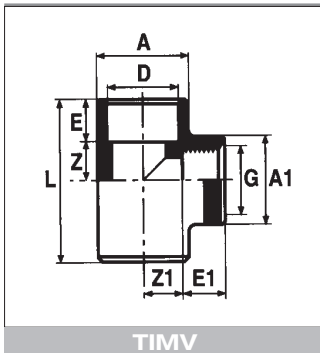
KNIEEN 90°
COUDES A 90°
ELBOWS 90°

PN 12.5

Eén zijde lijmof, andere zijde inwendige draad (BSP) met metalen versterkingsring.
Un côté femelle à coller, l'autre côté taraudé pas gaz cylindrique avec bague métallique de renforcement.

One socket end for solvent welding, the other end female threaded (BSP) with metal reinforcing ring.

D x G	DN	Z	E	A	€/ST/PC
16 x 3/8"	10	9	15.0	24	11.52
20 x 1/2"	15	11	17.0	29	11.52
25 x 3/4"	20	14	19.5	36	12.40



TIMV

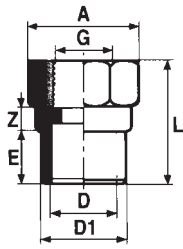
T-STUKKEN 90°
TES A 90°
TEES 90°

PN 12.5

Twee zijden lijmof, de spruit met inwendige draad (BSP) met metalen versterkingsring.
Deux côtés femelles à coller, tubelure taraudé pas gaz cylindrique avec bague métallique de renforcement.

Two socket ends for solvent welding, female threaded (BSP) branch with metal reinforcing ring.

D x G	DN	Z	E	L	Z1	E1	A	A1	€/ST/PC
16 x 1/2"	10	9	15	48.0	12.0	17	25.0	35	10.32
20 x 1/2"	15	14	17	61.5	14.5	17	30.5	30	10.32
25 x 3/4"	20	13	20	66.5	15.5	20	35.0	40	13.59

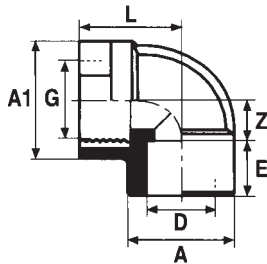


DIMM

OVERGANGSMOF BINNENDRAAD
MANCHON D'ADAPTATION FIL.FEMELLE
ADAPTOR SOCKET FEMALE THREADED

Eén zijde inwendige draad messing, andere zijde lijmmof
Un côté taraudage pas gaz cylindrique en laiton, l'autre côté à coller.
One side female brass thread, other side for solvent welding.

D x G	DN	Z	E	L	D1	A	€/ST/PC
16 x 3/8"	10	9.0	17.0	38.5	20	32.2	9.28
20 x 1/2"	15	9.0	16.5	44.0	25	36.0	10.85
25 x 3/4"	20	9.5	19.5	49.0	32	41.4	12.70
32 x 1"	25	9.8	23.0	56.4	40	49.6	16.58
40 x 1 1/4"	32	7.0	31.0	64.0	50	60.0	29.81
50 x 1 1/2"	40	7.0	37.5	69.5	63	66.0	39.50
63 x 2"	50	8.0	43.5	80.5	75	82.0	52.08

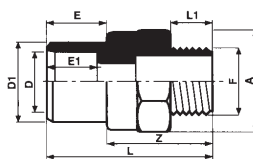


GIMM

OVERGANGSKNIE 90° BINNENDRAAD
COUDE D'ADAPTATION 90° FIL.FEMELLE
ADAPTOR ELBOW 90° FEMALE THREADED

Eén zijde inwendige draad messing, andere zijde lijmmof
Un côté taraudage pas gaz cylindrique en laiton, l'autre côté à coller.
One side female brass thread, other side for solvent welding.

D x G	DN	Z	E	A	A1	L	€/ST/PC
20 x 1/2"	15	16	16.5	29	36	32.0	11.50

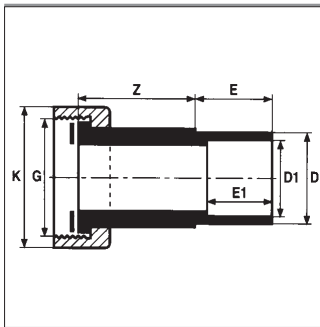


KIMM

OVERGANGSNIPPEL BUITENDRAAD
EMBOUTS D'ADAPTATION FIL.MALE
ADAPTOR NIPPLE MALE THREADED

Eén zijde uitwendige draad messing, andere zijde lijmmof
Un côté mâle taraudage pas gaz cylindrique en laiton, l'autre côté à coller.
One side male brass thread, other side for solvent welding.

D x D' x G	Z	E	E1	A	L	L1	€/ST/PC
16 x 20 x 3/8"	32.5	17.0	15.0	32.2	49.5	11.0	9.28
* 16 x 20 x 1/2"	36.5	16.5	14.5	32.2	53.5	13.5	10.85
20 x 25 x 1/2"	41.0	19.0	17.0	36.0	60.0	15.0	10.85
25 x 32 x 3/4"	43.0	22.5	19.5	41.0	65.0	16.0	12.70
* 25 x 32 x 1"	45.5	23.0	19.0	49.5	68.5	19.5	16.59
32 x 40 x 1"	49.0	27.0	23.0	49.5	76.0	19.5	16.59
40 x 50 x 1 1/4"	55.0	31.0	26.0	60.0	87.0	22.0	29.81
50 x 63 x 1 1/2"	55.0	37.5	31.0	66.0	92.0	22.0	39.50
63 x 75 x 2"	63.0	43.5	37.5	82.0	106.0	26.0	52.08



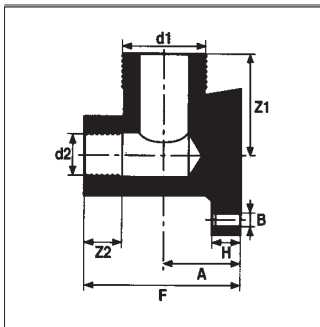
ADV

OVERGANGSSTUKKEN
DOUILLES DE RACCORDEMENT
TAP CONNECTORS

PN 12.5

Overgangskoppeling met messing moer. Dichting EPDM
Raccords d'adaptation avec écrou en laiton. Joint: EPDM
Adaptor coupling with brass nut. Seal: EPDM

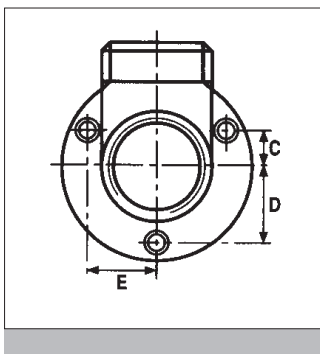
D x G	DN	Z	E	D1	E1	K	€/ST/PC
16 x 1/2"	10	20	15	12	14,0	24,0	11.18
20 x 3/4"	15	22	17	16	15,0	29,5	13.01
25 x 1"	20	23	20	20	17,0	36,0	16.99
32 x 1 1/4"	25	26	23	25	19,5	45,0	21.87
40 x 1 1/2"	32	29	27	32	23,0	52,0	33.43

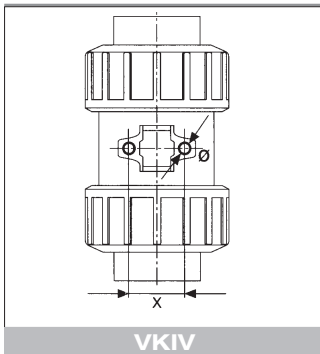


MUURPLATEN (MESSING)
APPLIQUES MURALES (LAITON)
WALL BRACKETS (BRASS)

Minimale hoeveelheid: 10 stuks
Quantité minimale: 10 pièces
Minimum quantity: 10 pieces

d1 - d2	DN	A	B	Z1	Z2	C	D	E	F	€/ST/PC
1/2" - 3/8"	10	17.0	5	36.0	7.5	6	18	17	35.5	24.96
3/4" - 1/2"	15	18.5	5	38.0	10.0	6	20	19	42.5	32.56
1" - 3/4"	20	24.5	5	39.5	12.0	8	26	24	52.5	31.58





KOGELKRANEN
VANNES A BILLE
BALL VALVES

Maximale gebruikstemperatuur: 50°C.
Maximale werkdruk: 12.5 bar.
Twee zijden lijmmof.

Température maximale d'utilisation: 50°C.
Pression de service maximale: 12.5 bar.
Deux côtés femelle à coller.

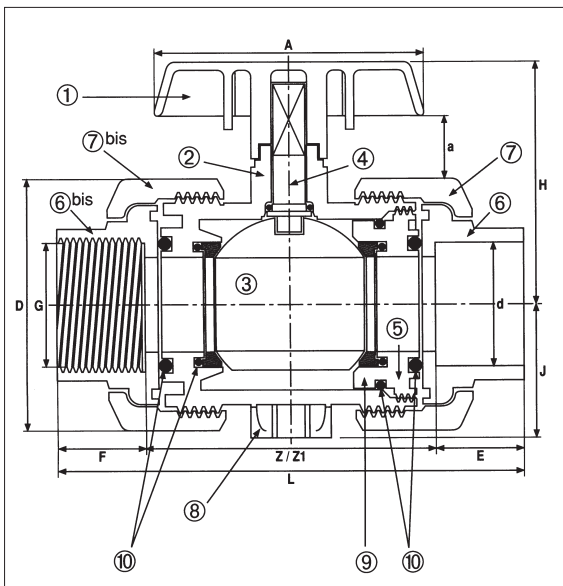
Maximum working temperature: 50°C.
Maximum working pressure: 12.5 bar
Sockets for solvent welding.

d	L	Z	E	H	D	A	a	J	€/ST/PC
16	98	69	14,5	53	52	77	14	29	41.12
20	101	67	17,0	53	52	77	14	29	41.78
25	122	83	19,5	58	81	85	14	33	45.96
32	131	86	22,5	70	71	94	18	38	62.00
40	149	96	26,5	80	85	110	19	45	74.82
50	164	101	31,5	90	101	121	20	53	104.17
63	195	119	38,0	105	121	141	23	63	128.83
* 75	210	211	43.0	-	-	-	-	-	303.48
* 90	210	211	52.0	-	-	-	-	-	303.48
*110	255	252	63.0	-	-	-	-	-	403.17

* niet conform met de tekening

* pas suivant le dessin

* not according to drawing



Materiaal:

1: handvat / poignée / ball seat:	PVC-U
2: lichaam / corps / housing:	VINKAIR
3: kogel / bille / ball:	VINKAIR
4: as / axe / spindle:	VINKAIR
5: dichtingszitting / porte-joints / gasket seat:	VINKAIR
6: aansluitstukken / collets / collars:	VINKAIR
7: wartelmoeren / écrous / union nuts:	VINKAIR
8: montagevoet: inwendige draad. / supportmontage: fixation intégrée en laiton / anchoring: brass insert	
9: dichtingsring / joint / gasket:	EPDM
10: kogelzittingen / siège / ball seat:	PTFE