

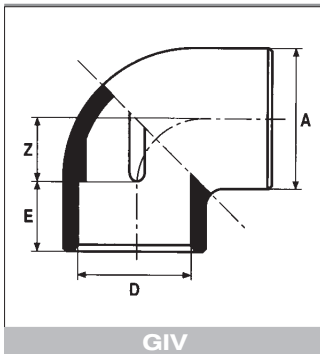
VINKAIR BUIZEN  
TUYAUX VINKAIR  
VINKAIR PIPES

LICHTBLAUW NF A 571  
BLEU CLAIR NF A 571  
LIGHT BLUE NF A 571

**L = 4m**

gladde uiteinden  
bouts lisse  
butt ends

<b>Dxs</b>	<b>DN</b>	<b>PN</b>	<b>KG/M</b>	<b>€/M</b>
<b>16 x 1,8</b>	10	12.5	0.106	<b>4.90</b>
<b>20 x 2,3</b>	15	12.5	0.168	<b>6.20</b>
<b>25 x 2,8</b>	20	12.5	0.257	<b>8.81</b>
<b>32 x 2,9</b>	25	12.5	0.340	<b>13.29</b>
<b>40 x 3,7</b>	32	12.5	0.542	<b>22.08</b>
<b>50 x 4,6</b>	40	12.5	0,842	<b>29.87</b>
<b>63 x 5,8</b>	50	12.5	1.334	<b>39.07</b>
<b>75 x 6,8</b>	65	12.5	2.090	<b>57.83</b>
<b>90 x 8,2</b>	80	12.5	3.030	<b>81.83</b>
<b>110 x 10,0</b>	100	12.5	4.480	<b>116.17</b>

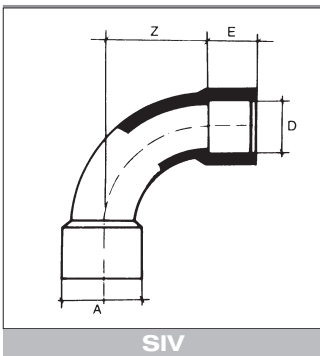


KNIEEN 90°  
COUDES A 90°  
ELBOWS 90°

**PN 12.5**

Beide zijden lijmmof / Deux côtés femelles à coller / Sockets for solvent welding

D	DN	Z	E	A	€/ST/PC
16	10	10.0	9.0	21.0	2.30
20	15	11.0	17.0	26.0	2.57
25	20	14.5	19.5	30.5	3.42
32	25	18.0	23.0	38.0	5.44
40	32	23.0	27.0	49.0	8.57
50	40	27.0	31.5	58.0	11.09
63	50	33.0	38.0	73.0	17.16
75	65	39.0	44.0	92.5	36.52
90	80	49.0	52.5	112.0	50.05
110	100	58.0	62.0	131.5	75.42

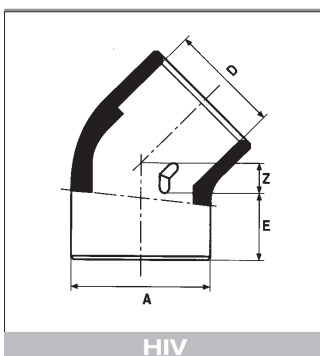


BOCHTEN 90°  
COURBES A 90°  
BENDS 90°

**PN 12.5**

Beide zijden lijmmof / Deux côtés femelles à coller / Sockets for solvent welding

D	DN	Z	E	A	R	€/ST/PC
50	40	99	31	64	-	30.42
63	50	127	38	80	-	36.13
75	65	240	62	86	225	93.15
90	80	288	72	103	270	136.90
110	100	352	88	126	330	208.44

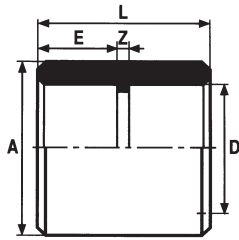


KNIEEN 45°  
COUDES A 45°  
ELBOWS 45°

**PN 12.5**

Beide zijden lijmmof / Deux côtés femelles à coller / Sockets for solvent welding

D	DN	Z	E	A	€/ST/PC
16	10	4.5	14.5	21.0	1.39
20	15	4.5	17.0	25.5	1.49
25	20	5.5	19.5	31.5	2.08
32	25	8.0	23.0	39.5	3.23
40	32	9.5	27.0	49.0	4.95
50	40	11.5	32.0	58.0	6.46
63	50	14.0	38.0	72.5	9.89
75	65	18.0	44.0	92.0	19.81
90	80	22.0	52.0	109.0	27.43
110	100	24.0	62.0	131.5	41.11



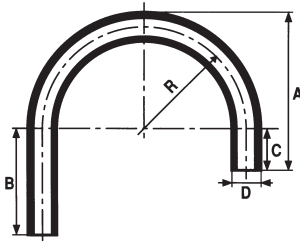
MIV

SOKKEN  
MANCHONS  
SOCKETS

PN 12.5

Beide zijden lijmmof  
Deux côtés femelles à coller  
Sockets for solvent welding

D	DN	Z	E	A	L	€/ST/PC
16	10	3.0	15.0	33.0	22.0	2.11
20	15	3.0	17.0	26.0	37.0	2.41
25	20	2.5	20.0	31.5	42.5	2.81
32	25	3.5	23.0	38.0	49.5	3.73
40	32	4.0	26.5	48.0	57.0	5.55
50	40	3.0	32.0	59.5	67.0	8.85
63	50	4.0	38.0	75.5	80.0	11.50
75	65	4.0	45.0	91.0	94.0	26.93
90	80	5.0	52.0	106.5	109.0	48.51
110	100	6.0	62.0	126.5	130.0	70.71



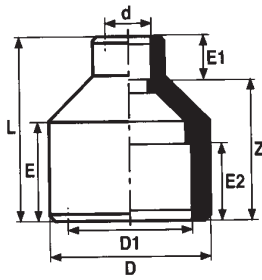
ZIV

U-BOCHTEN 180°  
COURBES U A 180°  
U BENDS 180°

PN 12.5

Beide zijden lijmmuiteinden.  
Deux côtés mâles à coller.  
Sockets for spigot welding.

D	DN	R	A	B	C	€/ST/PC
16	10	64	89.0	90	17	22.56
20	15	70	100.0	90	20	23.27
25	20	75	110.5	90	23	23.53
32	25	95	138.0	140	27	32.09



RIV

VERLOOPSTUKKEN  
REDUCTIONS  
REDUCERS

PN 12.5

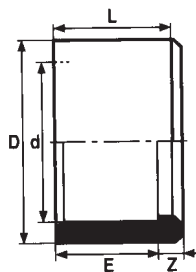
Met in- en uitwendige lijmaansluiting  
A coller sur l'extérieur et à l'intérieur  
Spigot and socket for solvent welding

D-d	DN	D1	Z	E	E1	E2	L	€/ST/PC
25-16	20-10	16.5	25.5	19.0	14.5	14.0	40.0	3.58
32-20	25-15	*25.0	31.0	22.5	17.0	19.5	48.0	4.47
40-25	32-20	*32.0	36.5	27.0	19.5	21.5	56.0	6.13
50-32	40-25	*40.0	45.0	32.0	23.0	27.5	68.0	7.01
63-32	50-25	50.0	55.5	38.5	23.0	32.0	78.5	11.41
63-40	50-32	50.0	55.5	38.5	27.0	32.0	82.5	11.41
75-32	65-25	61.0	62.0	45.0	22.5	38.0	85.0	33.17
90-50	80-40	*75.0	74.5	53.0	32.0	44.0	106.5	48.26
90-63	80-50	*75.0	75.0	53.0	38.5	44.5	113.5	48.26
110-50	100-40	*90.0	90.5	62.0	32.0	52.5	122.5	71.98
110-63	100-50	*90.0	92.0	63.5	38.0	54.0	130.0	71.98

\* eventueel als lijmmof te gebruiken

\* éventuellement à utiliser comme manchon à coller

\* possible for use as welding socket



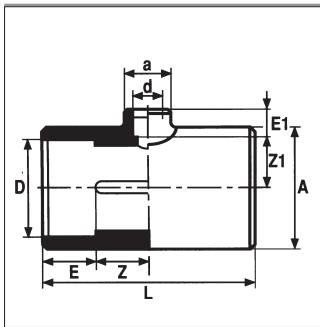
DIV

VERMINDERINGSRINGEN  
DOUILLES DE REDUCTIONS  
REDUCING BUSHES

PN 12.5

Met in- en uitwendige lijmaansluiting  
A coller sur l'extérieur et à l'intérieur  
Spigot and socket for solvent welding

D-d	DN	Z	E	L	€/ST/PC
20-16	15	2.5	15.0	17.5	1.98
25-20	20	3.5	17.0	20.5	2.10
32-25	25	5.0	19.5	24.5	2.81
40-32	32	6.0	23.0	29.0	3.69
50-40	40	5.0	27.0	32.0	4.83
63-50	50	7.0	31.5	38.5	6.81
75-63	65	7.5	37.0	44.5	15.68
90-75	80	8.0	44.0	52.0	32.96
110-90	100	10.5	52.0	62.5	52.40



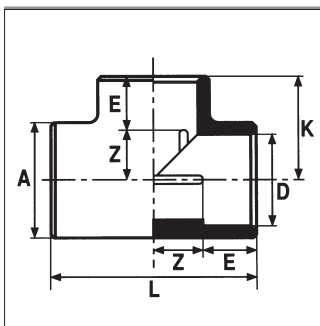
TRIV

VERLOOP T-STUKKEN 90°  
TES REDUITS A 90°  
REDUCED TEES 90°

PN 12.5

Alle zijden lijmmof  
Trois côtés femelles à coller  
Sockets for solvent welding

D-d	DN	Z	Z1	E	E1	L	A	a	€/ST/PC
20-16	15-10	11.0	11.0	17.0	15.0	56.0	26.0	21.0	4.62
25-16	20-10	14.0	14.0	18.5	14.0	66.0	31.0	21.0	5.78
25-20	20-15	13.5	13.0	19.5	16.0	66.0	31.0	26.0	5.78
32-16	25-10	17.0	18.0	23.0	14.0	82.5	44.5	24.0	10.61
32-20	25-15	17.5	18.5	23.5	16.5	82.0	39.0	26.5	10.61
32-25	25-20	18.0	20.0	23.0	19.0	82.0	39.0	31.5	10.61
40-20	32-15	22.0	23.0	27.0	17.0	97.5	49.5	26.5	11.86
40-25	32-20	22.0	23.0	27.0	19.5	97.5	49.5	31.5	11.86
40-32	32-25	22.0	22.0	27.0	23.0	97.5	49.5	39.5	15.09
50-25	40-20	26.5	28.0	31.0	20.0	114.5	60.5	33.0	15.99
50-32	40-25	26.5	28.0	31.0	23.0	115.0	61.0	41.0	15.99
50-40	40-32	26.5	27.0	31.0	26.0	115.0	61.0	50.0	15.99
63-20	50-15	34.0	32.5	38.0	17.5	143.0	80.0	38.0	22.14
63-25	50-20	33.5	35.0	38.5	20.0	144.0	80.0	37.0	23.26
63-32	50-25	33.5	35.0	38.5	23.5	144.0	80.0	45.0	23.26
63-40	50-32	33.5	36.0	38.5	27.5	144.0	80.0	54.5	23.26
75-25	65-20	39.0	40.0	44.5	19.5	167.0	92.5	37.0	39.98
75-32	65-25	38.5	38.5	44.5	23.0	166.5	92.5	45.0	39.98
90-25	80-20	46.0	46.5	52.5	19.5	197.0	114.5	37.5	81.66



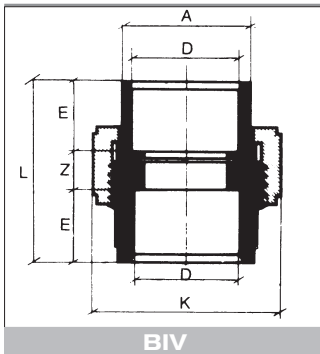
TIV

T-STUKKEN 90°  
TES A 90°  
TEES 90°

PN 12.5

Alle zijden lijmmof  
Trois côtés femelles à coller  
Sockets for solvent welding

D	DN	Z	E	A	L	K	€/ST/PC
16	10	9,0	14,0	21,0	48,0	24	3.47
20	15	11,0	17,0	26,0	56,0	28	3.52
25	20	14,0	19,0	31,5	66,5	34	4.92
32	25	18,5	22,5	39,5	82,0	41	7.12
40	32	22,0	27,0	49,5	97,5	50	11.22
50	40	26,5	31,0	61,0	115,0	58	15.89
63	50	32,5	38,5	78,0	142,0	72	24.91
75	65	39,0	44,5	91,5	166,5	83	53.54
90	80	45,0	53,0	112,0	196,5	98	75.67
110	100	55,5	62,5	132,0	236,0	119	146.12



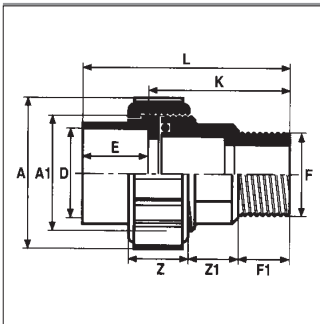
BIV

DRIEDELIGE KOPPELINGEN  
RACCORDS UNION 3 PIECES  
SOCKET UNIONS 3 PIECES

PN 12.5

Alle zijden lijmmof, dichting EPDM  
Trois côtés femelles à coller, joint EPDM  
Sockets for solvent welding, seal EPDM

D	DN	Z	E	A	K	L	€/ST/PC
16	10	14.0	15.0	22.0	34.5	44.0	12.33
20	15	14.0	16.5	27.5	42.5	47.0	12.33
25	20	13.5	19.0	36.0	54.5	51.5	12.33
32	25	14.5	22.5	41.5	62.5	59.5	13.92
40	32	15.0	27.0	53.0	75.5	69.0	20.16
50	40	19.0	31.5	59.0	83.0	82.0	23.64
63	50	22.0	38.5	74.0	100.5	99.0	31.43



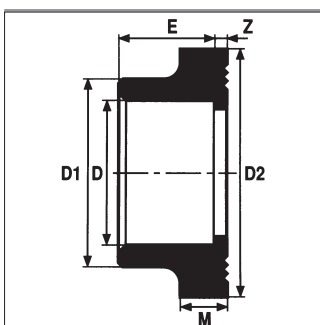
BFMV

DRIEDELIGE KOPPELINGEN  
RACCORDS UNION 3 PIECES  
SOCKET UNIONS 3 PIECES

PN 12.5

Eén zijde lijmmof, één zijde buitendraad, dichting EPDM  
Un côté femelle à coller, autre côté filetage male, joint EPDM  
One end socket for solvent welding, other end male tread, seal EPDM

D x G	DN	Z	Z1	F1	L	A	A1	K	E	€/ST/PC
16 x 3/8"	10	19.0	11.5	11.5	52.0	36.0	3/4"	36.5	15.5	14.04
20 x 1/2"	15	23.0	11.0	16.5	61.0	42.0	1"	40.0	17.0	15.56
25 x 3/4"	20	25.0	17.0	18.0	72.0	55.0	1 1/4"	49.0	19.0	16.97
32 x 1"	25	26.0	17.5	20.5	80.5	62.5	1 1/2"	53.5	23.0	21.99
40 x 1 1/4"	32	30.5	17.0	23.0	88.0	73.0	2"	57.5	27.0	33.74
50 x 1 1/2"	40	34.0	21.0	27.0	109.0	81.5	2 1/4"	62.0	32.0	34.06
63 x 2"	50	38.0	22.0	31.5	125.0	99.0	2 3/4"	68.0	38.0	40.86



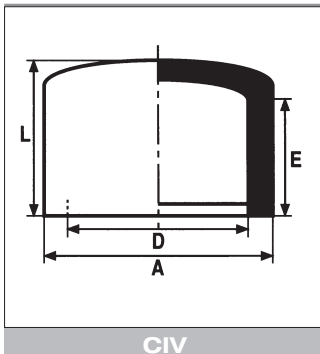
QPV

GEGROEFDE KRAAGBUSSEN  
COLLETS STRIES  
GROOVED COLLARS

PN 12.5

Met lijmmof, geleverd zonder dichtingsring  
Un côté femelle à coller, livré sans joint  
Socket for solvent welding, delivered without seal

D	DN	Z	E	D2	M	D1	€/ST/PC
50	40	3	32.0	73	8	61	13.45
63	50	3	38.5	90	9	76	19.00
75	65	3	44.0	106	10	90	32.82
90	80	5	52.0	125	11	108	46.53
110	100	5	62.0	150	12	130	64.84



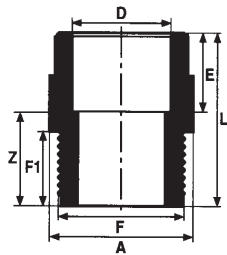
CIV

EINDKAPPEN  
BOUCHONS FEMELLES  
END CAPS

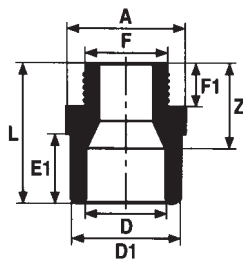
**PN 12.5**

Met lijmaansluiting  
Côté femelle à coller  
Socket for solvent welding

D	DN	E	L	A	€/ST/PC
16	10	14.0	20.0	24.0	1.98
20	15	17.5	22.0	26.0	2.30
25	20	19.5	25.5	31.5	2.63
32	25	24.0	30.0	39.5	3.47
40	32	28.0	36.5	48.0	5.52
50	40	33.0	43.0	59.5	6.90
63	50	40.5	52.5	75.0	9.45
75	65	52.0	77.0	91.0	23.50
90	80	59.0	91.5	107.5	32.85
110	100	66.0	109.5	129.0	55.98



KIFV - Type A



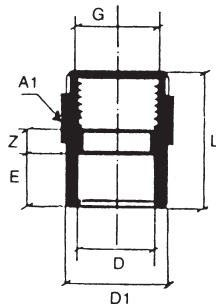
KIFV - Type B

OVERGANGSSTUKKEN  
EMBOUTS D'ADAPTATION  
ADAPTOR COUPLINGS

PN 12.5

Eén zijde cilindrische buitendraad, andere zijde inwendige lijmaansluiting.  
Un côté mâle à filetage cylindrique, l'autre à coller comme femelle.  
One end male parallel threaded, the other end socket for solvent welding.

D x G	D1	Z	E	A	L	F1	E1	TYPE	€/ST/PC
16 x 1/2"		27.5	15.0	24.5	42.5	15.0		A	4.06
*16 x 3/8"	20	24.5	15.0	25.0	39.5	12.0	17.0	B	9.93
*20 x 1/2"	25	29.0	17.0	30.0	46.0	15.0	19.0	B	11.61
20 x 3/4"		31.5	17.0	30.0	48.5	17.0		A	4.73
*25 x 3/4"	32	33.5	19.5	36.5	53.0	17.0	23.0	B	13.59
25 x 1"		35.0	21.0	36.5	56.0	19.5		A	4.83
*32 x 1"	40	43.5	22.5	47.0	66.0	20.0	27.0	B	17.74
32 x 1 1/4"		40.0	23.0	47.0	63.0	21.5		A	7.85
*40 x 1 1/4"	50	45.0	26.5	55.0	71.5	21.5	32.0	B	31.90
40 x 1 1/2"		42.5	27.0	48.0	69.5	22.5		A	14.64
*50 x 1 1/2"	63	46.0	31.5	68.0	77.5	23.0	38.5	B	41.86
50 x 2"		49.5	32.5	60.0	82.0	27.0		A	20.87
*63 x 2"	75	49.0	38.5	78.5	87.5	27.5	44.0	B	55.73
*75 x 2 1/2"	90	49.5	45.0	94.0	94.5	30.5	51.8	B	68.07



DIMV

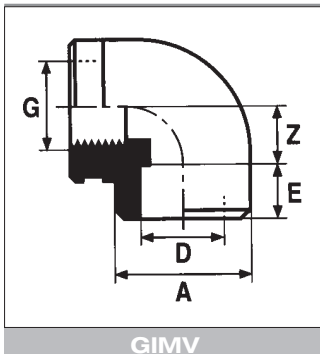
OVERGANGSSTUKKEN  
EMBOUTS D'ADAPTATION  
ADAPTOR COUPLINGS

PN 12.5

Eén zijde lijmof of spie, de andere inwendige draad met (BSP) met metalen versterkingsring.  
Un côté à coller, l'autre côté taraudage pas gaz cylindrique avec bague métallique de renforcement.  
One end for solvent welding, the other end female threaded (BSP) with metal reinforcing ring.

D' x D x G	DN	Z	E	L	A'	€/ST/PC
20 x 16 x 3/8"	10	5	14.0	31	23	9.93
25 x 20 x 1/2"	15	5	16.0	38	27	11.61
32 x 25 x 3/4"	20	5	19.0	42	34	13.59
40 x 32 x 1"	25	5	22.0	48	41	17.74
50 x 40 x 1 1/4"	32	11	27.5	58	55	31.92
63 x 50 x 1 1/2"	40	19	31.0	64	65	42.27
75 x 63 x 2"	50	19	32.0	85	70	55.73





GIMV

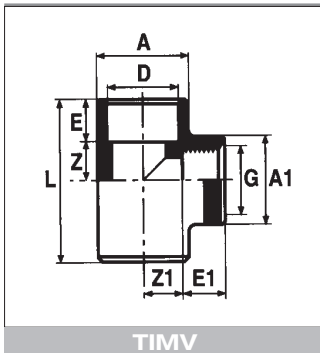
KNIEEN 90°  
COUDES A 90°  
ELBOWS 90°

PN 12.5

Eén zijde lijmof, andere zijde inwendige draad (BSP) met metalen versterkingsring.  
Un côté femelle à coller, l'autre côté taraudé pas gaz cylindrique avec bague métallique de renforcement.

One socket end for solvent welding, the other end female threaded (BSP) with metal reinforcing ring.

D x G	DN	Z	E	A	€/ST/PC
16 x 3/8"	10	9	15.0	24	12.33
20 x 1/2"	15	11	17.0	29	12.33
25 x 3/4"	20	14	19.5	36	13.27



TIMV

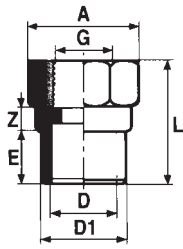
T-STUKKEN 90°  
TES A 90°  
TEES 90°

PN 12.5

Twee zijden lijmof, de spruit met inwendige draad (BSP) met metalen versterkingsring.  
Deux côtés femelles à coller, tubelure taraudé pas gaz cylindrique avec bague métallique de renforcement.

Two socket ends for solvent welding, female threaded (BSP) branch with metal reinforcing ring.

D x G	DN	Z	E	L	Z1	E1	A	A1	€/ST/PC
16 x 1/2"	10	9	15	48.0	12.0	17	25.0	35	11.04
20 x 1/2"	15	14	17	61.5	14.5	17	30.5	30	11.04
25 x 3/4"	20	13	20	66.5	15.5	20	35.0	40	14.54

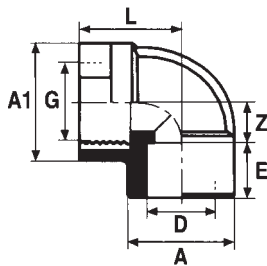


DIMM

OVERGANGSMOF BINNENDRAAD  
MANCHON D'ADAPTATION FIL.FEMELLE  
ADAPTOR SOCKET FEMALE THREADED

Eén zijde inwendige draad messing, andere zijde lijmstof  
Un côté taraudage pas gaz cylindrique en laiton, l'autre côté à coller.  
One side female brass thread, other side for solvent welding.

D x G	DN	Z	E	L	D1	A	€/ST/PC
16 x 3/8"	10	9.0	17.0	38.5	20	32.2	9.93
20 x 1/2"	15	9.0	16.5	44.0	25	36.0	11.61
25 x 3/4"	20	9.5	19.5	49.0	32	41.4	13.59
32 x 1"	25	9.8	23.0	56.4	40	49.6	17.74
40 x 1 1/4"	32	7.0	31.0	64.0	50	60.0	31.90
50 x 1 1/2"	40	7.0	37.5	69.5	63	66.0	42.27
63 x 2"	50	8.0	43.5	80.5	75	82.0	55.73

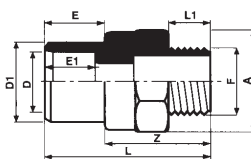


GIMM

OVERGANGSKNIE 90° BINNENDRAAD  
COUDE D'ADAPTATION 90° FIL.FEMELLE  
ADAPTOR ELBOW 90° FEMALE THREADED

Eén zijde inwendige draad messing, andere zijde lijmstof  
Un côté taraudage pas gaz cylindrique en laiton, l'autre côté à coller.  
One side female brass thread, other side for solvent welding.

D x G	DN	Z	E	A	A1	L	€/ST/PC
20 x 1/2"	15	16	16.5	29	36	32.0	12.31

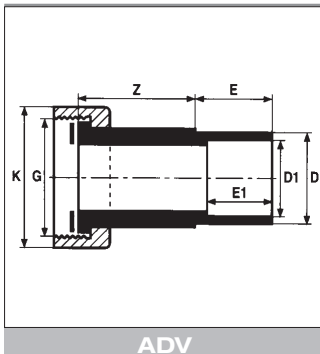


KIMM

OVERGANGSNIPPEL BUITENDRAAD  
EMBOUTS D'ADAPTATION FIL.MALE  
ADAPTOR NIPPLE MALE THREADED

Eén zijde uitwendige draad messing, andere zijde lijmstof  
Un côté mâle taraudage pas gaz cylindrique en laiton, l'autre côté à coller.  
One side male brass thread, other side for solvent welding.

D x D' x G	Z	E	E1	A	L	L1	€/ST/PC
16 x 20 x 3/8"	32.5	17.0	15.0	32.2	49.5	11.0	9.93
* 16 x 20 x 1/2"	36.5	16.5	14.5	32.2	53.5	13.5	11.61
20 x 25 x 1/2"	41.0	19.0	17.0	36.0	60.0	15.0	11.61
25 x 32 x 3/4"	43.0	22.5	19.5	41.0	65.0	16.0	13.59
* 25 x 32 x 1"	45.5	23.0	19.0	49.5	68.5	19.5	17.75
32 x 40 x 1"	49.0	27.0	23.0	49.5	76.0	19.5	17.75
40 x 50 x 1 1/4"	55.0	31.0	26.0	60.0	87.0	22.0	31.90
50 x 63 x 1 1/2"	55.0	37.5	31.0	66.0	92.0	22.0	42.27
63 x 75 x 2"	63.0	43.5	37.5	82.0	106.0	26.0	55.73

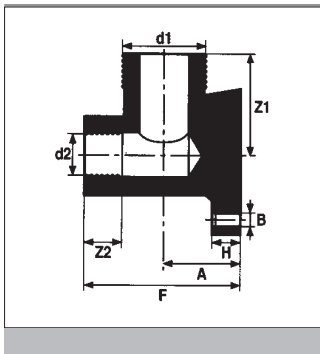


OVERGANGSSTUKKEN  
DOUILLES DE RACCORDEMENT  
TAP CONNECTORS

PN 12.5

Overgangskoppeling met messing moer. Dichting EPDM  
Raccords d'adaptation avec écrou en laiton. Joint: EPDM  
Adaptor coupling with brass nut. Seal: EPDM

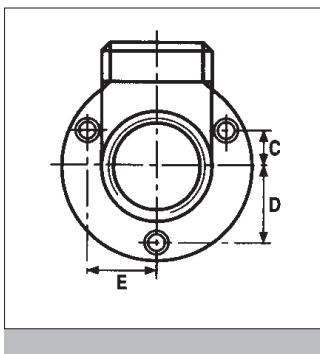
D x G	DN	Z	E	D1	E1	K	€/ST/PC
16 x 1/2"	10	20	15	12	14,0	24,0	11.96
20 x 3/4"	15	22	17	16	15,0	29,5	13.92
25 x 1"	20	23	20	20	17,0	36,0	18.18
32 x 1 1/4"	25	26	23	25	19,5	45,0	23.40
40 x 1 1/2"	32	29	27	32	23,0	52,0	35.77

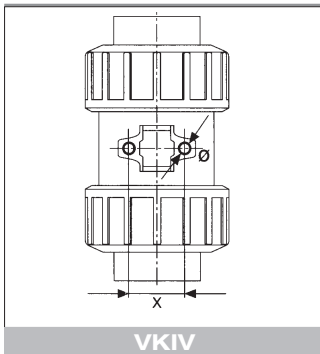


MUURPLATEN (MESSING)  
APPLIQUES MURALES (LAITON)  
WALL BRACKETS (BRASS)

Minimale hoeveelheid: 10 stuks  
Quantité minimale: 10 pièces  
Minimum quantity: 10 pieces

d1 - d2	DN	A	B	Z1	Z2	C	D	E	F	€/ST/PC
1/2" - 3/8"	10	17.0	5	36.0	7.5	6	18	17	35.5	26.71
3/4" - 1/2"	15	18.5	5	38.0	10.0	6	20	19	42.5	34.84
1" - 3/4"	20	24.5	5	39.5	12.0	8	26	24	52.5	33.79





KOGELKRANEN  
VANNES A BILLE  
BALL VALVES

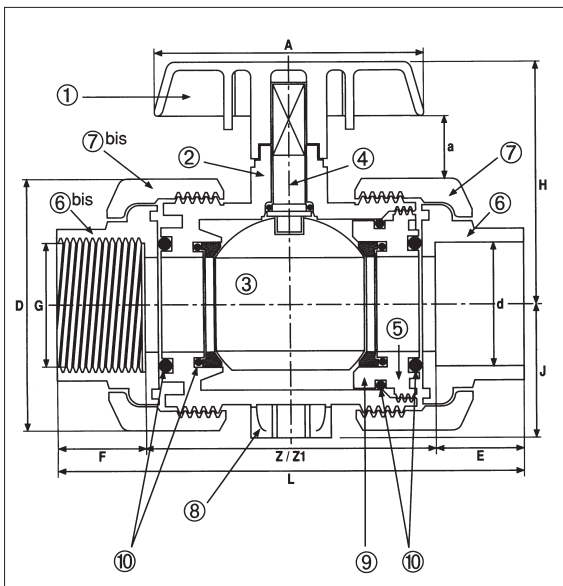
Maximale gebruikstemperatuur: 50°C.  
Maximale werkdruk: 12.5 bar.  
Twee zijden lijmmof.

Température maximale d'utilisation: 50°C.  
Pression de service maximale: 12.5 bar.  
Deux côtés femelle à coller.

Maximum working temperature: 50°C.  
Maximum working pressure: 12.5 bar  
Sockets for solvent welding.

d	L	Z	E	H	D	A	a	J	€/ST/PC
16	98	69	14,5	53	52	77	14	29	44.00
20	101	67	17,0	53	52	77	14	29	44.70
25	122	83	19,5	58	81	85	14	33	49.18
32	131	86	22,5	70	71	94	18	38	66.34
40	149	96	26,5	80	85	110	19	45	80.06
50	164	101	31,5	90	101	121	20	53	111.46
63	195	119	38,0	105	121	141	23	63	137.85
* 75	210	211	43.0	-	-	-	-	-	324.72
* 90	210	211	52.0	-	-	-	-	-	324.72
*110	255	252	63.0	-	-	-	-	-	431.39

\* niet conform met de tekening  
\* pas suivant le dessin  
\* not according to drawing



**Materiaal:**

- |  |         |
|--|---------|
| 1: handvat / poignée / ball seat:  | PVC-U   |
| 2: lichaam / corps / housing:  | VINKAIR |
| 3: kogel / bille / ball:   | VINKAIR |
| 4: as / axe / spindle:   | VINKAIR |
| 5: dichtingszitting / porte-joints / gasket seat:  | VINKAIR |
| 6: aansluitstukken / collets / collars:  | VINKAIR |
| 7: wartelmoeren / écrous / union nuts:   | VINKAIR |
| 8: montagevoet: inwendige draad. /<br>supportmontage: fixation intégrée en laiton /<br>anchoring: brass insert |         |
| 9: dichtingsring / joint / gasket:   | EPDM    |
| 10: kogelzittingen / siège / ball seat:  | PTFE    |