

DRUKBUIS - GRIJS RAL 7032
 TUYAUX DE PRESSION - GRIS RAL 7032
 PRESSURE PIPE - GREY RAL 7032

$$S = \frac{1}{2} \left(\frac{D}{s} - 1 \right)$$

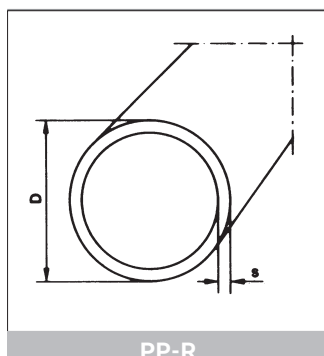
$$\text{Standard Dimension Ratio: } SDR = 2 S + 1 = \frac{D}{s}$$

L = 5 m. andere lengten op aanvraag
 Volgens DIN 8077/78 type 1 ; ISO R161/1-1978

L = 5 m. autres longueurs sur demande
 Selon DIN 8077/78 type 1 ; ISO R161/1-1978

L = 5 m. other lengths on request
 According to DIN 8077/78 type 1 ; ISO R161/1-1978

D	S 20 SDR 41 PN 2.5			S 16 SDR 33 PN 3.2			S 12.5 SDR 26 PN 4			S 8.3 SDR 17.6 PN 6			S 5 SDR 11 PN 10			S 3.2 SDR 7.4 PN 16		
	s	KG/M	€/M	s	KG/M	€/M	s	KG/M	€/M	S	KG/M	€/M	S	KG/M	€/M	S	KG/M	€/M
12																1.8	0.05	1.34
16													1.8	0.08	1.26			
20													1.9	0.11	1.83			
25													2.3	0.16	2.57			
32																		
40							1.8	0.21	2.74	2.3	0.27	3.28	2.9	0.26	4.11			
50							2.0	0.30	3.84	2.9	0.42	5.10	4.6	0.63	7.61			
63							2.5	0.47	6.02	3.6	0.66	7.86	5.8	1.01	12.02			
75				2.3	0.52	7.48	2.9	0.64	8.57	4.3	0.92	11.16	6.8	1.40	16.98			
90				2.8	0.76	10.21	3.5	0.93	11.87	5.1	1.32	15.76	8.2	2.02	24.00			
110	2.7	0.90	10.77	3.4	1.11	15.65	4.2	1.36	17.93	6.3	1.98	23.62	10.0	3.01	35.73			
125	3.1	1.17	14.15	3.9	1.45	19.54	4.8	1.76	22.50	7.1	2.54	30.26	11.4	3.89	46.23			
140	3.5	1.48	17.54	4.3	1.78	24.83	5.4	2.21	28.27	8.0	3.20	37.90	12.7	4.87	58.00			
160	4.0	1.91	22.18	4.9	2.32	31.93	6.2	2.89	36.94	9.1	4.15	49.32	14.6	6.38	75.62			
180	4.4	2.36	28.15	5.5	2.94	40.22	6.9	3.63	47.37	10.2	5.22	62.04	16.4	8.05	95.39			
200	4.9	2.92	34.66	6.2	3.65	49.53	7.7	4.50	57.52	11.4	6.47	76.86	18.2	9.92	117.97			
225	5.5	3.70	43.75	6.9	4.57	62.57	8.6	5.65	72.94	12.8	8.19	96.93	20.5	12.60	149.30			
250	6.2	4.59	53.94	7.7	5.67	77.27	9.6	6.99	92.07	14.2	10.10	119.81	22.7	15.50	183.98			
280	6.9	5.73	70.97	8.6	7.09	96.57	10.7	8.72	111.41	15.9	12.60	149.30	25.4	19.40	230.21			
315	7.7	7.19	85.10	9.7	8.97	122.08	12.1	11.10	143.29	17.9	16.00	189.79	28.6	24.60	291.58			
355	8.7	9.14	108.13	10.9	11.30	155.31	13.6	14.00	178.92	20.1	20.20	239.53						
400	9.8	11.60	145.23	12.3	14.40	194.83	15.3	17.70	228.93	22.7	25.70	304.87						
450	11.0	14.60	183.11	13.8	18.20	254.81	17.2	22.40	289.71	25.5	32.50	402.20						
500	12.3	18.10	226.98	15.3	22.30	312.95	19.1	27.60	358.15	28.3	40.10	496.22						
560	13.7	22.60	277.24	17.2	28.10	390.63	21.4	34.60	442.14	31.7	50.30	622.42						
630	15.4	28.50	348.75	19.3	35.50	479.96	24.1	43.90	560.94	35.7	63.70	788.26						
710	17.4	36.30	628.47	21.8	45.20	793.73	27.2	55.80	1174.59									
800	19.6	46.10	795.98	24.5	57.20	1003.01	30.6	70.80	1251.09									
900	22.0	58.20	1076.51	27.6	72.50	1457.30	34.4	89.40	1560.00									
1000	24.5	72.00	1331.75	30.6	89.20	1781.57	38.2	110.00	1919.47									
1200	29.4	103.00	2009.87	36.7	128.00	2680.55												
1400	34.3	141.00	2885.10															



DRUKBUIS - GRIJS RAL 7032
 TUYAUX DE PRESSION - GRIS RAL 7032
 PRESSURE PIPE - GREY RAL 7032

$$S = \frac{1}{2} \left(\frac{D}{S} - 1 \right)$$

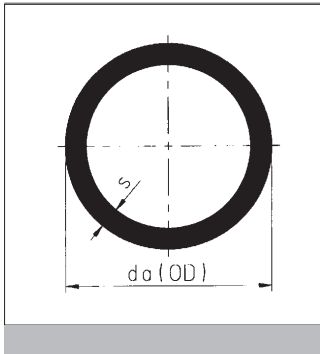
$$\text{Standard Dimension Ratio: } SDR = 2 S + 1 = \frac{D}{S}$$

L = 5 m. andere lengten op aanvraag
 Volgens DIN 8077/78 type 1 ; ISO R161/1-1978

L = 5 m. autres longueurs sur demande
 Selon DIN 8077/78 type 1 ; ISO R161/1-1978

L = 5 m. other lengths on request
 According to DIN 8077/78 type 1 ; ISO R161/1-1978

D	S 8.3 SDR 17.6 PN 6			S 5 SDR 11 PN 10			S 3.2 SDR 7.4 PN 16		
	S	KG/M	€/M	S	KG/M	€/M	S	KG/M	€/M
20				1.9	0.11	1.83	2.8	0.15	2.34
25				2.3	0.16	2.66	3.5	0.23	3.60
32	1.9	0.171	2.83	2.9	0.26	4.29	4.4	0.37	5.77
40	2.3	0.273	3.46	3.7	0.41	5.19	5.5	0.58	7.96
50	2.9	0.422	5.33	4.6	0.64	8.08	6.9	0.90	12.01
63	3.6	0.659	8.34	5.8	1.01	12.72	8.6	1.41	19.19
75	4.3	0.936	11.85	6.8	1.40	17.64	10.3	2.00	26.67
90	5.1	1.320	16.70	8.2	2.03	25.57	12.3	2.86	38.14
110	6.3	1.980	25.05	10.0	3.01	37.92	15.1	4.29	57.21
125	7.1	2.540	32.13	11.4	3.91	49.27	17.1	5.52	73.62
140	8.0	3.200	40.48	12.7	4.87	61.37	19.2	6.95	92.69
160	9.1	4.150	52.49	14.6	6.39	80.52	21.9	9.04	120.56
180	10.2	5.220	66.02	16.4	8.07	101.68			
200	11.4	6.470	81.84	18.2	9.95	125.37			
225	12.8	8.190	103.59	20.5	12.59	158.63			
250	14.2	10.100	127.76	22.7	15.48	195.02			
280	15.9	12.600	159.36	25.4	19.40	244.42			
315	17.9	16.000	202.38	28.6	24.55	309.32			
355				32.2	31.10	391.81			
400				36.3	39.50	497.66			
450				40.9	50.10	652.54			
500				45.4	61.80	804.92			
710	40.2	80.700	1285.95						
800	45.3	103.000	1641.30						



DRUKBUIS
 TUYAU DE PRESSION
 PRESSURE PIPE

GRIJS. ZONDER VOORBEHANDELING
 GRIS . SANS TRAITEMENT
 GREY. WITHOUT PRE-TREATMENT

L = 5.2 m
SDR 9

da	s	KG/M	€/M
32	3.6	0.31	4.64

L = 6.2 m
SDR 11

da	s	KG/M	€/M
40	3.7	0.41	5.93
50	4.6	0.64	9.19
63	5.8	1.01	14.57

SDR 17.6

da	s	KG/M	€/M
75	4.5	0.97	14.05
90	5.1	1.32	18.62
110	6.3	1.98	27.86

SDR 26

da	s	KG/M	€/M
125	4.8	1.77	24.70

SDR 33

da	s	KG/M	€/M
160	4.9	2.32	32.49

SDR 41

da	s	KG/M	€/M
200	4.9	2.92	40.85
250	6.2	4.59	64.80

Ventilatie / ventilation

da	s	KG/M	€/M
315	5.0	4.47	68.34
355	6.0	6.38	92.01
400	6.0	7.20	103.82
500	8.0	11.90	176.65

Fittingen : zie hoofdstuk I-PP

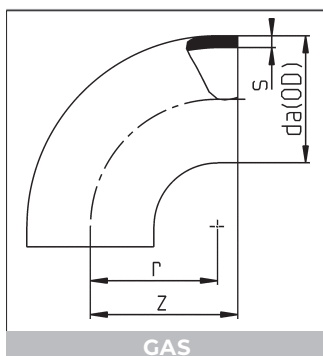
Raccords: voir chapitre I-PP

Fittings : see chapter I-PP



stomplasmafittings
raccords pour le soudage bout à bout
fittings for butt welding

PP-R



BOCHTEN 90°
COURBES A 90°
BENDS 90°

Gespoten.
Injectés.
Moulded.

SDR 33 / ISO S-16

da	r	z	s	KG/ST/PC	€/ST/PC
110	110	120	3.4	0.252	24.57
125	125	140	3.9	0.333	27.69
140	140	150	4.3	0.461	35.80
160	155	180	4.9	0.740	46.76
180	180	200	5.5	0.999	56.98
200	200	220	6.2	1.320	70.85
225	225	245	6.9	1.810	87.21
250	265	290	7.7	2.740	110.82
280	260	290	8.6	3.600	137.04
315	300	340	9.7	5.000	194.49
355	300	340	10.9	6.360	451.99
400	300	345	12.3	8.120	632.14
450	400	445	13.8	14.180	851.60
500	400	445	15.3	17.560	1186.96

***SDR 17 / ISO S-8**

da	r	z	s	KG/ST/PC	€/ST/PC
250	265	285	14.8	4.96	180.85
280	265	290	16.6	6.20	235.08
315	300	335	18.7	9.42	324.73
355	300	340	21.1	11.60	514.57
400	300	340	23.7	14.48	716.57
450	400	445	26.7	24.24	936.73
500	400	445	29.7	30.32	1286.11

* op aanvraag / sur demand / onrequest : da 20-225 mm

***SDR 11 / ISO S-5**

da	r	z	s	KG/ST/PC	€/ST/PC
250	265	290	22.7	7.44	266.02
280	265	290	25.4	8.92	345.86
315	300	340	28.6	13.54	477.46
355	300	340	32.2	17.36	698.41
400	300	345	36.3	22.00	959.08
450	400	445	40.9	35.56	1258.49
500	400	449	45.4	44.46	1623.46

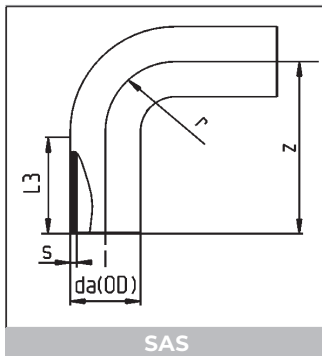
* op aanvraag / sur demand / onrequest : da 20-225 mm

PPH op aanvraag / sur demande / on request



stomplas- en electromoflasfittings - IR
raccords pour le soudage bout à bout et electrosoudable - IR
fittings for butt and electro socket welding - IR

PP-R



MULTI-BOCHTEN 90°
MULTI-COURBES A 90°
MULTI-BENDS 90°

Gespoten.
Injectés.
Moulded.

SDR 17 / ISO S-8

da	L3	r	z	s	KG/ST/PC	€/ST/PC
63	66.5	63	129.5	3.8	0.184	7.70
75	75.0	75	150.0	4.5	0.290	11.28
90	76.0	90	168.0	5.4	0.477	14.70
110	82.0	110	192.0	6.6	0.776	30.99
125	92.0	125	218.0	7.4	1.140	39.33
140	100.0	140	241.0	8.3	1.580	57.16
160	100.5	160	261.5	9.5	2.260	63.05
180	109.0	180	290.5	10.7	3.080	77.94
200	118.5	200	318.5	11.9	4.030	96.53
225	125.0	225	353.0	13.4	5.820	130.88
250	135.0	250	389.0	14.8	7.040	272.71
280	146.0	280	429.0	16.6	9.800	397.39
315	158.0	315	475.0	18.7	14.000	495.39

SDR 11 / ISO S-5

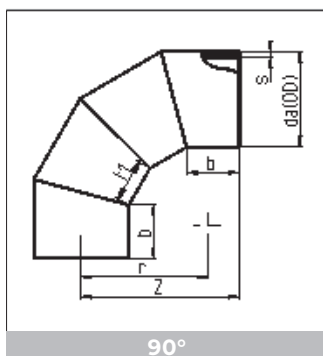
da	L3	r	z	s	KG/ST/PC	€/ST/PC
20	40.0	20	60.0	1.9	0.014	3.32
25	42.5	25	68.5	2.3	0.023	3.46
32	47.0	32	79.0	2.9	0.041	3.58
40	52.0	40	92.5	3.7	0.073	4.63
50	58.5	50	108.5	4.6	0.131	5.82
63	66.5	63	129.5	5.8	0.254	8.36
75	75.0	75	150.0	6.8	0.401	11.53
90	76.0	90	168.0	8.2	0.655	16.69
110	82.0	110	192.0	10.0	1.095	31.77
125	92.0	125	218.0	11.4	1.660	44.77
140	100.0	140	241.0	12.7	2.240	59.86
160	100.5	160	261.5	14.6	3.160	80.25
180	109.0	180	290.5	16.4	4.340	94.99
200	118.5	200	318.5	18.2	5.800	141.54
225	125.0	225	353.0	20.5	8.040	176.49
250	135.0	250	389.0	22.7	10.400	323.01
280	146.0	280	429.0	25.4	14.220	466.76
315	158.0	315	475.0	28.6	19.820	579.78

PPH op aanvraag / sur demande / on request



stomplasmafittingen. gesegmenteerd
raccords pour le soudage bout à bout. segmentés
fittings for butt welding. segmented

PP



BOCHTEN 90°
COURBES A 90°
BENDS 90°

Veiligheidsfactor x 0.8
Facteur de sécurité x 0.8
Security factor x 0.8

SDR 41 / ISO S-20

da	s	r	b	t1	z	t	t2	KG/ST/PC	€/ST/PC
560	13.7	840	350	300	1040	600	500	36.4	1777.33
630	15.4	945	350	338	1126	675	519	47.6	2133.41
710	17.4	1.065	400	380	1275	761	590	71.6	2603.43
800	19.6	1.200	400	429	1385	857	614	106.0	3143.47
900	22.0	1.350	400	482	1509	965	641	141.0	4198.90
1000	24.5	1.500	500	536	1732	1072	768	180.0	5330.51
1200	29.4	1.800	500	643	1978	1286	822	275.0	7747.51

SDR 33 / ISO S-16

da	s	r	b	t1	z	t	t2	KG/ST/PC	€/ST/PC
560	17.2	840	350	300	1040	600	500	45.3	2123.68
630	19.3	945	350	338	1126	675	519	59.3	2607.48
710	21.8	1.065	400	380	1275	761	590	89.1	3205.78
800	24.5	1.200	400	429	1385	857	614	131.0	3928.63
900	27.6	1.350	400	482	1509	965	641	176.0	5184.90
1000	30.6	1.500	500	536	1732	1072	768	223.0	6547.62
1200	36.7	1.800	500	643	1978	1286	822	341.0	9471.45

SDR 26 / ISO S-12.5

da	s	r	b	t1	z	t	t2	KG/ST/PC	€/ST/PC
560	21.4	840	350	300	1040	600	500	55.8	2611.43
630	24.1	945	350	338	1126	675	519	73.3	3134.98
710	27.2	1065	400	380	1275	761	590	110.0	3831.22
800	30.6	1200	400	429	1385	857	614	162.0	4678.89
900	34.4	1350	400	482	1509	965	641	217.0	6269.99
1000	38.2	1500	500	536	1732	1072	768	275.0	8043.46

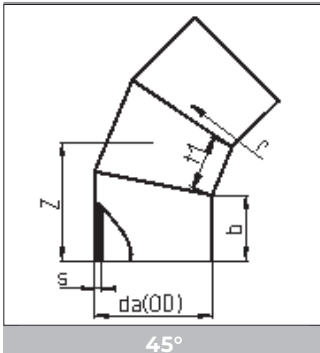
SDR 17.6 / ISO S-8.3

da	s	r	b	t1	z	t	t2	KG/ST/PC	€/ST/PC
560	31.7	840	350	300	1040	600	500	81.1	3861.90
630	35.7	945	350	338	1126	675	519	106.0	4691.86
710	40.2	1065	400	380	1275	761	590	159.0	5791.29
800	45.3	1200	400	429	1385	857	614	241.0	7119.60



stomplasmafittingen. gesegmenteerd
raccords pour le soudage bout à bout. segmentés
fittings for butt welding. segmented

PP



BOCHTEN 45°
COURBES A 45°
BENDS 45°

Veiligheidsfactor x 0.8
Facteur de sécurité x 0.8
Security factor x 0.8

SDR 41 / ISO S-20

da	s	r	b	t1	z	t	t2	KG/ST/PC	€/ST/PC
560	13.7	883	350	223.0	587	445	461	26.4	1178.97
630	15.4	918	350	251.0	616	501	475	34.9	1401.78
710	17.4	1110	400	282.5	700	565	541	53.2	1708.51
800	19.6	1155	400	318.3	738	637	559	70.8	2034.55
900	22.0	1330	400	358.0	780	716	579	99.3	2678.97
1000	24.5	1380	500	398.0	923	796	699	126.0	3428.10
1200	29.4	1480	500	477.5	1007	955	739	188.0	4840.91

SDR 33 / ISO S-16

da	s	r	b	t1	z	t	t2	KG/ST/PC	€/ST/PC
560	17.2	883	350	223.0	587	445	461	32.8	1408.41
630	19.3	918	350	251.0	616	501	475	43.4	1712.83
710	21.8	1110	400	282.5	700	565	541	66.2	2103.49
800	24.5	1155	400	318.3	738	637	559	87.9	2543.31
900	27.6	1330	400	358.0	780	716	579	124.0	3306.71
1000	30.6	1380	500	398.0	923	796	699	156.0	4209.44
1200	36.7	1800	500	477.5	1007	955	739	234.0	5912.83

SDR 26 / ISO S-12.5

da	s	r	b	t1	z	t	t2	KG/ST/PC	€/ST/PC
560	21.4	883	350	223.0	587	445	461	40.4	1731.87
630	24.1	918	350	251.0	616	501	475	53.7	2058.49
710	27.2	1110	400	282.5	700	565	541	81.7	2512.50
800	30.6	1155	400	318.3	738	637	559	109.0	3025.52
900	34.4	1330	400	358.0	780	716	579	153.0	3994.80
1000	38.2	1380	500	398.0	923	796	699	192.0	5169.67

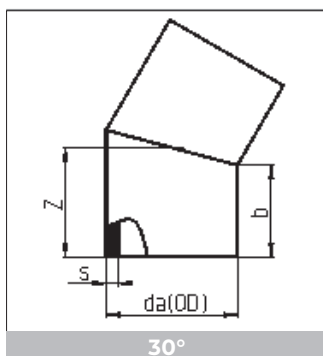
SDR 17.6 / ISO S-8.3

da	s	r	b	t1	z	t	t2	KG/ST/PC	€/ST/PC
560	31.7	883	350	223.0	587	445	461	58.8	2560.87
630	35.7	918	350	251.0	616	501	475	77.9	3080.22
710	40.2	1110	400	282.5	700	565	541	118.0	3797.97
800	47.4	1200	400	318.3	738	637	559	158.0	4604.69



stomplasmafittingen. gesegmenteerd
raccords pour le soudage bout à bout. segmentés
fittings for butt welding. segmented

PP



BOCHTEN 30°
COURBES A 30°
BENDS 30°

Veiligheidsfactor x 0.8
Facteur de sécurité x 0.8
Security factor x 0.8

SDR 41 / ISO S-20

da	s	b	z	t	KG/ST/PC	€/ST/PC
560	13.7	350	425	500	18.8	680.44
630	15.4	350	434	519	24.2	812.29
710	17.4	400	495	590	35.9	1016.15
800	19.6	400	507	614	56.0	1214.63
900	22.0	400	521	641	72.1	1598.68
1000	24.5	500	634	768	91.0	2130.18
1200	29.4	500	661	822	136.0	2979.11

SDR 33 / ISO S-16

da	s	b	z	t	KG/ST/PC	€/ST/PC
560	17.2	350	425	500	23.3	817.59
630	19.3	350	434	519	30.1	994.88
710	21.8	400	495	590	44.7	1252.78
800	24.5	400	507	614	69.4	1516.46
900	27.6	400	500	641	90.0	1976.28
1000	30.6	500	634	768	113.0	2620.47
1200	36.7	500	661	822	169.0	3648.38

SDR 26 / ISO S-12.5

da	s	b	z	t	KG/ST/PC	€/ST/PC
560	21.4	350	425	500	28.7	1005.63
630	24.1	350	434	519	37.3	1200.51
710	27.2	400	495	590	55.2	1505.02
800	30.6	400	507	614	86.0	1815.65
900	34.4	400	521	641	215.0	2396.34
1000	38.2	500	634	768	277.0	3223.18

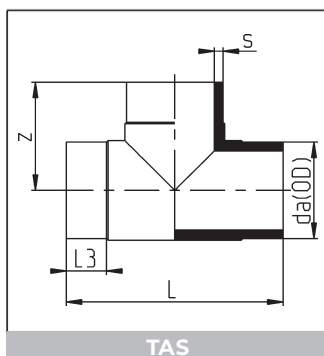
SDR 17.6 / ISO S-8.3

da	s	b	z	t	KG/ST/PC	€/ST/PC
560	31.7	350	425	500	41.7	1491.77
630	35.7	350	434	519	54.1	1799.19
710	40.2	400	495	590	79.9	2274.57
800	47.4	400	507	614	177.0	2760.23



stomplasmafittings
raccords pour le soudage bout à bout
fittings for butt welding

PP-R



T-STUKKEN 90°
TES A 90°
TEES 90°

Gespoten.
Injectés.
Moulded.

SDR 33 / ISO S-16

da	L	L3	z	s	KG/ST/PC	€/ST/PC
110	223	33	109	3.4	0.443	29.05
125	230	40	115	3.9	0.492	35.52
140	253	25	125	4.3	1.020	39.61
160	346	57	173	4.9	1.680	66.12
180	372	57	186	5.5	2.360	90.13
200	410	57	205	6.2	3.200	120.93
225	448	57	222	6.9	4.260	181.41
250	475	70	237	7.7	6.100	280.53
280	540	80	270	8.6	8.200	356.86
315	558	80	277	9.7	9.640	450.53
355	691	100	346	10.9	16.080	630.85
400	710	104	355	12.3	18.580	924.91
450	900	130	450	13.8	30.740	1248.71
500	895	130	450	15.3	33.660	1621.04

SDR 17 / ISO S-8

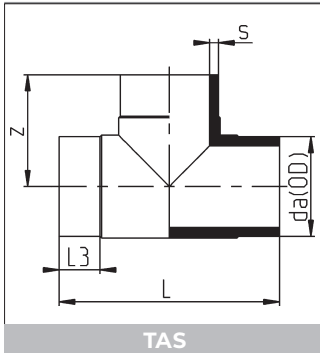
da	L	L3	z	s	KG/ST/PC	€/ST/PC
63	145	25.0	72.0	3.8	0.170	7.90
75	150	16.0	75.0	4.5	0.311	16.09
90	212	38.0	107.0	5.4	0.518	22.96
110	251	50.5	121.0	6.6	0.897	38.12
125	280	50.0	140.0	7.4	1.240	52.82
140	304	54.0	150.0	8.3	1.720	62.35
160	346	57.0	173.0	9.5	2.440	117.21
180	372	57.0	186.0	10.7	3.420	143.96
200	405	57.0	202.5	11.9	4.520	196.61
225	445	57.0	222.5	13.4	6.320	230.82
250	470	70.0	235.0	14.8	8.280	306.32
280	543	80.0	272.0	16.6	12.040	346.21
315	550	80.0	275.0	18.7	14.380	460.50
355	680	104.0	340.0	21.1	22.900	692.43
400	705	106.0	352.5	23.7	27.740	946.39
450	895	134.0	450.0	26.7	45.100	1447.66
500	900	130.0	450.0	29.7	51.080	1693.99

PPH op aanvraag / sur demande / on request



stomplasmafittings
raccords pour le soudage bout à bout
fittings for butt welding

PP-R



T-STUKKEN 90°
TES A 90°
TEES 90°

Gespoten.
Injectés.
Moulded.

SDR 11 / ISO S-5

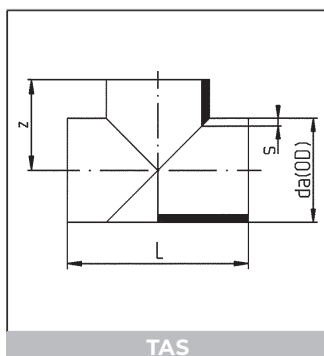
da	L	L3	z	s	KG/ST/PC	€/ST/PC
20	68	17.5	34.0	1.9	0.011	2.43
25	80	20.5	40.0	2.3	0.021	2.43
32	90	20.5	45.0	2.9	0.037	3.06
40	100	20.5	50.0	3.7	0.060	4.84
50	120	23.0	60.0	4.6	0.114	6.54
63	144	25.0	72.0	5.8	0.220	10.13
75	152	15.0	75.0	6.8	0.386	20.43
90	213	38.0	105.0	8.2	0.680	30.52
110	253	51.0	122.0	10.0	1.180	44.81
125	280	52.0	140.0	11.4	1.700	61.70
140	305	53.0	152.0	12.7	2.380	78.20
160	346	57.0	173.0	14.6	3.300	131.51
180	372	57.0	186.0	16.4	4.380	168.54
200	405	57.0	202.5	18.2	6.060	241.52
225	445	57.0	222.5	20.5	8.200	287.26
250	470	72.0	235.0	22.7	10.860	365.44
280	540	80.0	270.0	25.4	15.600	494.08
315	550	80.0	275.0	28.6	18.920	702.45
355	690	105.0	345.0	32.2	30.640	902.30
400	700	103.0	355.0	36.3	37.960	1225.97
450	900	130.0	450.0	40.9	63.000	1780.32
500	900	130.0	450.0	45.4	71.000	2274.89

PPH op aanvraag / sur demande / on request



stomplasmafittingen. gesegmenteerd
raccords pour le soudage bout à bout. segmentés
fittings for butt welding. segmented

PP



T-STUKKEN 90°

TES A 90°

TEES 90°

Veiligheidsfactor x 0.5

Facteur de sécurité x 0.5

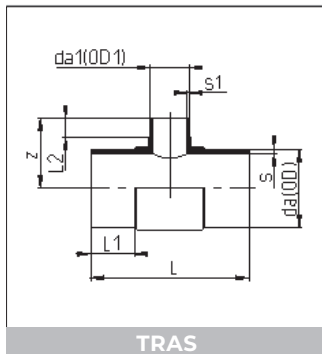
Security factor x 0.5

da	SDR 26 / ISO S-12.5					SDR 17.6 / ISO S-8.3				
	s	z	L	KG ST/PC	€ ST/PC	s	z	L	KG ST/PC	€ ST/PC
560	21.4	540	1080	46.90	2579.60	31.7	540	1080	68.20	3868.59
630	24.1	615	1230	67.80	3195.47	35.7	615	1230	98.40	4829.78
710	27.2	655	1310	90.70	3888.70	40.2	655	1310	131.00	5897.91
800	30.6	700	1400	149.00	4794.50	47.4	700	1400	177.00	7318.61
900	38.2	1000	2000	215.00	7230.74					
1000	30.6	700	1400	277.00	8936.55					



stomplasmafittings
raccords pour le soudage bout à bout
fittings for butt welding

PP-R



VERLOOP T-STUKKEN 90°
TES REDUITS A 90°
TEES 90° REDUCING

Gespoten.
Injectés.
Moulded.

SDR 17 / ISO S-8

da/da1	s	z	L	L1	L2	s1	KG/ST/PC	€/ST/PC
140/ 63	8.3	120	302	86	32	3.8	1.31	66.35
140/ 75	8.3	130	300	86	35	4.5	1.40	66.64
140/ 90	8.3	139	300	86	42	5.4	1.32	67.76
140/110	8.3	139	300	50	53	6.6	1.64	69.14
160/125	9.5	150	315	62	48	7.4	2.04	128.90
180/ 63	10.7	139	358	130	32	3.8	2.06	153.05
180/ 75	10.7	140	360	120	31	4.5	2.10	153.05
180/110	10.7	160	365	106	48	6.6	2.16	157.74
180/125	10.7	164	365	99	52	7.4	2.24	157.74
225/125	13.4	180	445	140	45	7.4	4.19	250.85

SDR 11 / ISO S-5

da/da1	s	z	L	L1	L2	s1	KG/ST/PC	€/ST/PC
63/ 32	5.8	70	130	18	18	2.9	0.180	23.61
90/ 32	8.2	85	213	57	23	2.9	0.562	32.33
90/ 50	8.2	90	213	57	27	4.6	0.563	33.22
110/ 32	10.0	94	244	70	23	2.9	0.906	48.68
110/ 50	10.0	103	240	70	27	4.6	0.945	48.68
125/ 63	11.4	112	280	76	31	5.8	1.400	68.11
140/ 63	12.7	120	302	87	32	5.8	1.800	85.47
140/ 75	12.7	130	305	54	35	6.8	1.920	85.47
140/ 90	12.7	130	305	88	42	8.2	1.840	86.87
140/110	12.7	141	305	54	47	10.0	2.180	86.87
160/125	14.6	158	335	62	52	11.4	2.720	144.15
180/ 63	16.4	144	367	134	32	5.8	3.040	178.95
180/ 75	16.4	148	366	123	31	6.8	3.100	178.95
180/125	16.4	166	366	100	52	11.4	3.280	184.70
225/125	20.5	178	456	143	45	11.4	6.120	311.57

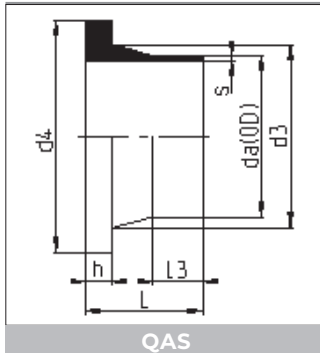
Grotere diameters t.e.m. 630 mm op aanvraag.
Diamètres plus large jusqu'à 630 mm sur demande.
Larger diameters up to 630 mm on request.

PPH op aanvraag / sur demande / on request



stomplasmafittings
raccords pour le soudage bout à bout
fittings for butt welding

PP-R



VOORLASKRAGEN
COLLETS
STUBS

Gespoten
Injectés
Moulded

PPH : op aanvraag / sur demande / on request

SDR 33 / ISO S-16

da	s	L	L3	d3	d4	h	KG/ST/PC	€/ST/PC
110	3.4	80	31.0	125	158	18	0.276	12.90
125	3.9	80	38.0	132	158	18	0.282	15.87
140	4.3	80	24.0	155	188	18	0.410	18.41
160	4.9	80	28.5	175	212	18	0.520	22.79
180	5.5	95	55.0	183	212	18	0.450	33.31
200	6.2	113	53.0	232	268	18	1.040	40.93
225	6.9	113	65.0	235	268	18	0.820	44.82
250	7.7	132	70.0	285	320	20	1.730	63.25
280	8.6	128	70.0	288	320	20	1.430	68.23
315	9.7	136	68.0	335	370	20	2.080	81.69
355	10.9	150	75.0	373	430	23	2.920	139.76
400	12.3	155	75.0	427	482	26	3.980	290.32
450	13.8	168	73.0	514	585	33	7.820	339.99
500	15.3	175	81.0	530	585	33	6.960	412.94
560	17.2	120	25.0	615	685	35	8.750	488.63
630	19.3	184	89.0	642	685	35	8.460	562.80

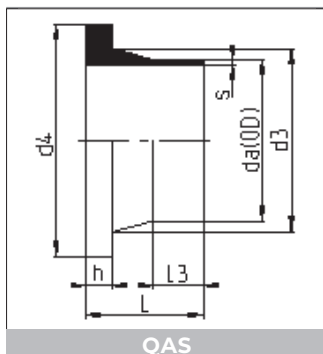
SDR 17 / ISO S-8

da	s	L	L3	d3	d4	h	KG/ST/PC	€/ST/PC
63	3.8	50	20.0	75	102	14	0.107	5.27
75	4.5	50	16.5	89	122	16	0.166	6.21
90	5.4	82	40.0	105	138	17	0.274	9.10
110	6.6	80	34.0	125	158	18	0.359	11.57
125	7.4	84	46.0	132	158	18	0.343	14.23
140	8.3	92	39.0	155	188	18	0.550	16.51
160	9.5	92	42.0	175	212	18	0.696	20.43
180	10.7	92	53.0	183	212	20	0.687	29.85
200	11.9	110	46.0	232	268	24	1.460	37.27
225	13.4	113	60.0	235	268	24	1.380	41.80
250	14.8	132	64.0	285	320	25	2.440	59.72
280	16.6	128	70.0	288	320	25	2.240	65.60
315	18.7	136	68.5	335	370	25	3.140	80.11
355	21.1	150	79.0	373	430	30	4.480	137.27
400	23.7	155	75.0	427	482	33	5.980	277.40
450	26.7	170	74.0	514	585	46	11.340	326.92
500	29.7	175	83.0	530	585	46	10.640	403.03
560	33.2	120	32.0	615	685	50	12.310	482.43
630	37.4	180	122.0	642	685	50	14.720	558.71



stomplasmafittings
raccords pour le soudage bout à bout
fittings for butt welding

PP-R



VOORLASKRAGEN
COLLETS
STUBS

Gespoten
Injectés
Moulded

PPH : op aanvraag / sur demande / on request

SDR 11 / ISO S-5

da	s	L	L3	d3	d4	h	KG/ST/PC	€/ST/PC
20	1.9	52.0	30.0	27	45	7	0.014	2.73
25	2.3	52.0	25.0	33	58	9	0.027	2.73
32	2.9	50.0	25.0	40	68	10	0.040	3.21
40	3.7	52.0	24.0	50	78	11	0.061	3.83
50	4.6	53.0	22.0	61	88	12	0.086	4.72
63	5.8	50.0	20.0	75	102	14	0.122	5.87
75	6.8	50.5	18.0	89	122	16	0.187	6.96
90	8.2	82.0	40.0	105	138	17	0.322	9.94
110	10	82.0	35.5	125	158	18	0.442	12.78
125	11.4	82.0	38.0	132	158	25	0.491	15.43
140	12.7	92.0	37.0	155	188	25	0.757	19.79
160	14.6	92.0	38.0	175	212	25	0.956	24.97
180	16.4	93.0	43.0	183	212	30	1.000	35.21
200	18.2	114.0	40.0	232	268	32	2.040	49.68
225	20.5	113.0	52.0	235	268	32	1.960	48.53
250	22.7	130.0	58.0	285	320	35	3.300	82.67
280	25.4	128.0	66.0	288	320	35	3.160	78.83
315	28.6	136.0	65.0	335	370	35	4.600	116.10
355	32.2	150.0	70.0	373	430	40	6.560	164.87
400	36.3	155.0	70.0	427	482	46	8.620	295.24
450	40.9	165.0	62.0	514	585	60	15.360	380.43
500	45.4	175.0	80.0	530	585	60	14.920	438.06
630	57.2	175.0	91.5	642	685	60	20.900	951.57

Ook leverbaar / aussi livrable / also available :

- JIS SDR 11 : da 20-315 mm
- ANSI SDR 11 : da 20-450 mm

Uit plaat gedraaid.
Tournés à partir de plaque.
Turned out of plate.

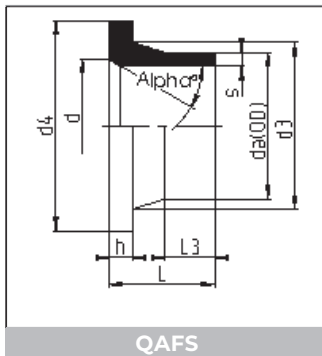
D	d _s	d _e	L	SDR 33 / ISO S-16			SDR 17 / ISO S-8		
				s	h _i	KG/ST/PC	s	h _i	KG/ST/PC
710	737	800	120	21.8	35	9.8	42.1	50	15.5
800	840	905	120	24.5	36	13.0	47.4	52	20.5
900	944	1005	120	27.6	40	16.3	53.3	55	25.3
1000	1047	1110	140	30.6	42	22.5	59.3	60	35.4
1200	1245	1330	140	36.7	50	33.4			

prijzen op aanvraag / prix sur demande / prices on request



stomplasmafittings
raccords pour le soudage bout à bout
fittings for butt welding

PP-R



VOORLASKRAGEN VOOR VLINDERKLEPPEN
COLLETS CHANFREINE POUR VANNES PAPILLON
CHAMFERED STUB FLANGE FOR BUTTERFLY VALVES

Gespoten
Injectés
Moulded

SDR 11 / ISO S-5

da	s	L	L3	d	d3	d4	h	Alpha°	KG/ST/PC	€/ST/PC
110	10.0	82	38	100	125	158	18	30	0.420	12.78
140	12.7	92	37	125	155	188	25	30	0.740	19.79
160	14.6	92	38	150	175	212	25	30	0.920	24.97
180	16.4	93	43	150	183	212	30	30	0.997	35.21
200	18.2	114	40	210	232	268	32	30	1.792	49.68
225	20.5	113	52	210	235	268	32	30	1.860	48.53
250	22.7	130	58	255	285	320	35	25	2.866	82.67
280	25.4	128	66	255	288	320	35	25	2.940	78.83
315	28.6	136	65	301	335	370	35	22	4.100	116.09
355	32.2	150	70	338	373	430	40	30	5.960	164.87
400	36.3	155	70	378	427	482	46	30	7.920	295.24

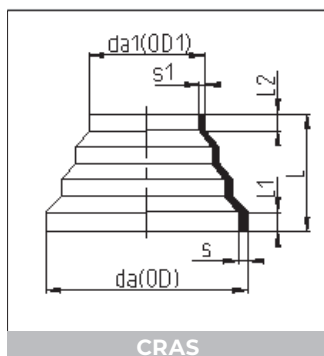
Uit plaat gedraaid.
Tournés à partir de plaque.
Turned out of plate.

SDR 11 / ISO S-5

da	s	L	L3	d	d3	d4	h	Alpha°	KG/ST/PC	€/ST/PC
500	45.4	200	75	505	530	585	90	25	15.400	3008.81

SDR 17 / ISO S-8

da	s	L	L3	d	d3	d4	h	Alpha°	KG/ST/PC	€/ST/PC
355	21.1	150	50	355	373	430	60	25	5.9	1846.61
400	23.7	180	75	404	427	482	60	25	7.4	2057.53
500	29.7	175	80	505	530	585	60	25	10.0	3008.81
560	33.2	200	60	602	615	685	80	25	15.6	3037.86


 CONCENTRICHE VERLOOPSTUKKEN
 REDUCTIONS CONCENTRIQUES
 CONCENTRIC REDUCERS
Gespoten.

Opmerkingen :

-Deze verloopstukken zijn voor elke gewenste vermindering tussen de diameters 630 en 16 mm door afzagen. resp. aan elkaar te lassen. te gebruiken.

Injectées.

Remarques :

- Ces réductions sont utilisables dans tous les diamètres. entre 630 et 16 mm. par le sciage et le soudage bout à bout.

Moulded.

Remarks :

- These reductions can be sawn off (or be welded together) at the desired diameter between 630 and 16 mm.

SDR 33 / ISO S-16

da	da1	s	L	L1	L2	s1	KG/ST/PC	€/ST/PC
110	63	3.4	62	9	6	3.0	0.061	12.56
125	75	3.9	72	13	8	2.3	0.090	14.43
160	110	4.9	83	13	13	3.4	0.160	45.61
225	160	6.9	94	18	14	4.9	0.402	115.27
315	225	9.7	134	25	20	6.9	1.036	133.02
450	315	13.8	170	27	20	9.7	3.220	456.00
630	450	19.3	188	30	20	13.8	6.860	563.83

SDR 17 / ISO S-8

da	da1	s	L	L1	L2	s1	KG/ST/PC	€/ST/PC
75	32	4.5	71	10	9	1.9	0.043	10.10
110	63	6.6	62	9	6	3.8	0.099	13.24
125	75	7.4	72	13	8	4.5	0.145	15.07
160	110	9.5	83	13	13	6.6	0.275	49.11
225	160	13.4	94	18	14	9.5	0.660	129.49
315	225	18.7	134	25	20	13.4	1.860	146.88
450	315	26.7	167	27	20	18.7	4.840	504.01
630	450	37.4	188	30	20	26.7	10.60	759.71

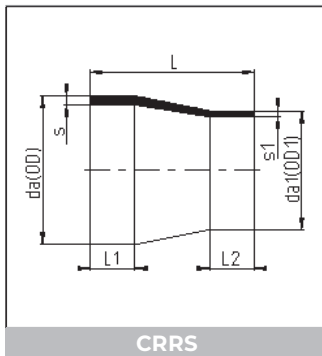
SDR 11 / ISO S-5

da	da1	s	L	L1	L2	s1	KG/ST/PC	€/ST/PC
63	16	5.8	97	10	8	1.8	0.042	6.59
75	32	6.8	71	10	9	2.9	0.060	10.53
110	63	10.0	62	9	6	5.8	0.144	13.97
125	75	11.4	72	13	8	6.8	0.200	15.78
160	110	14.6	83	13	13	10.0	0.420	52.59
225	160	20.5	94	18	14	14.6	0.940	142.69
315	225	28.6	134	25	20	20.5	2.720	157.34
450	315	40.9	181	40	20	28.6	7.620	559.87



stomplasmafittings
raccords pour le soudage bout à bout
fittings for butt welding

PP-R



CONCENTRISCHE VERLOOPSTUKKEN
REDUCTIONS CONCENTRIQUES
CONCENTRIC REDUCERS

SDR 17 / ISO S-8

da	da1	s	L	L1	L2	s1	KG/ST/PC	€/ST/PC
75	63	4.5	60	19	18	3.8	0.054	9.28
90	63	5.4	66	22	18	3.8	0.080	10.36
90	75	5.4	66	22	19	4.5	0.097	10.36
110	63	6.6	90	28	18	3.8	0.159	13.13
110	75	6.6	85	28	19	4.5	0.150	13.13
110	90	6.6	85	28	22	5.4	0.159	13.13
125	63	7.4	100	32	18	3.8	0.228	16.94
125	75	7.4	100	32	19	4.5	0.218	16.94
125	90	7.4	90	32	22	5.4	0.186	16.94
125	110	7.4	90	32	28	6.6	0.243	16.94
140	75	8.3	110	35	19	4.5	0.331	20.49
140	90	8.3	110	35	22	5.4	0.290	20.49
140	110	8.3	100	35	28	6.6	0.275	20.49
140	125	8.3	100	35	32	7.4	0.317	23.91
160	90	9.5	115	40	22	5.4	0.400	23.91
160	110	9.5	115	40	28	6.6	0.398	23.91
160	125	9.5	110	40	32	7.4	0.450	23.91
160	140	9.5	110	40	35	8.3	0.460	23.91
180	90	10.7	157	45	22	5.4	0.746	37.60
180	110	10.7	157	45	28	6.6	0.743	35.35
180	125	10.7	122	45	32	7.4	0.560	32.60
180	140	10.7	136	45	35	8.3	0.680	30.94
180	160	10.7	122	45	40	9.5	0.690	29.57
200	140	11.9	137	50	35	8.3	0.840	85.64
200	160	11.9	128	50	40	9.5	0.800	74.82
200	180	11.9	137	50	45	10.7	0.852	66.91
225	140	13.4	162	55	35	8.3	1.121	101.08
225	160	13.4	140	55	40	9.5	0.985	86.74
225	180	13.4	162	55	45	10.7	1.328	86.33
225	200	13.4	162	55	50	11.9	1.300	86.33
250	160	14.8	149	60	40	9.5	1.310	115.80
250	180	14.8	177	60	45	10.7	2.000	107.17
250	200	14.8	144	60	50	11.9	1.380	98.58
250	225	14.8	144	60	55	13.4	1.480	93.74
280	200	16.6	202	70	50	11.9	2.400	128.89
280	225	16.6	202	70	55	13.4	2.400	120.22
280	250	16.6	165	70	60	14.8	2.320	117.09
315	200	18.7	196	80	50	11.9	3.180	164.57
315	225	18.7	207	80	55	13.4	2.940	145.61
315	250	18.7	200	80	60	14.8	2.880	132.64
315	280	18.7	198	80	70	16.6	3.640	124.24

Diam. t.e.m. 630 mm op aanvraag.

Diam. jusqu'à 630 mm sur demande.

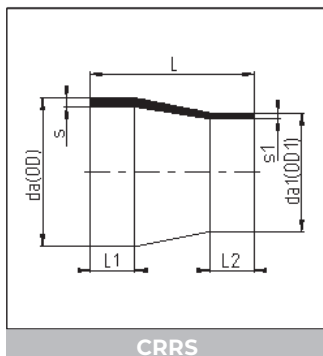
Diam up to 630 mm on request.

PPH op aanvraag / sur demande / on request



stomplasmafittings
raccords pour le soudage bout à bout
fittings for butt welding

PP-R



CRRS

CONCENTRICHE VERLOOPSTUKKEN
REDUCTIONS CONCENTRIQUES
CONCENTRIC REDUCERS

SDR 11 / ISO S-5

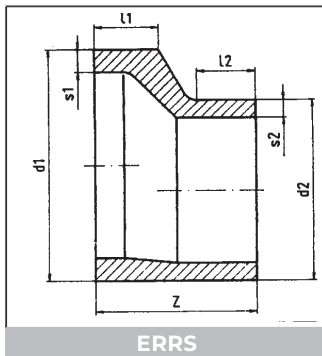
da	da1	s	L	L1	L2	s1	KG/ST/PC	€/ST/PC
25	20	2.3	38	14	14	1.9	0.005	4.51
32	20	2.9	40	14	14	1.9	0.008	5.22
32	25	2.9	40	14	14	2.3	0.009	5.22
40	20	3.7	43	14	14	1.9	0.014	5.96
40	25	3.7	43	14	14	2.3	0.014	5.96
40	32	3.7	37	14	14	2.9	0.013	5.96
50	25	4.6	47	14	14	2.3	0.020	6.27
50	32	4.6	41	14	14	2.9	0.020	6.27
50	40	4.6	42	14	14	3.7	0.022	6.28
63	32	5.8	57	18	14	2.9	0.040	7.59
63	40	5.8	51	18	14	3.7	0.040	7.59
63	50	5.8	52	18	14	4.6	0.044	7.59
75	32	6.8	70	19	14	2.9	0.065	9.73
75	40	6.8	70	19	14	3.7	0.067	9.73
75	50	6.8	59	19	14	4.6	0.066	9.73
75	63	6.8	60	19	18	5.8	0.071	9.73
90	50	8.2	76	22	14	4.6	0.110	10.84
90	63	8.2	66	22	18	5.8	0.108	10.84
90	75	8.2	66	22	19	6.8	0.120	10.84
110	50	10.0	90	28	14	4.6	0.186	13.82
110	63	10.0	90	28	18	5.8	0.197	13.82
110	75	10.0	85	28	19	6.8	0.210	13.82
110	90	10.0	85	28	22	8.2	0.225	13.82
125	63	11.4	100	32	18	5.8	0.275	17.67
125	75	11.4	100	32	19	6.8	0.291	17.67
125	90	11.4	90	32	22	8.2	0.282	17.67
125	110	11.4	90	32	28	10	0.320	17.67
140	75	12.7	110	35	19	6.8	0.383	21.42
140	90	12.7	110	35	22	8.2	0.404	21.42
140	110	12.7	100	35	28	10	0.409	21.42
140	125	12.7	100	35	32	11.4	0.440	21.42
160	90	14.6	115	40	22	8.2	0.550	25.14
160	110	14.6	115	40	28	10	0.585	25.14
160	125	14.6	110	40	32	11.4	0.590	25.14
160	140	14.6	110	40	35	12.7	0.620	25.14
180	90	16.4	157	45	22	8.2	1.000	39.43
180	110	16.4	157	45	28	10	1.000	37.15
180	125	16.4	122	45	32	11.4	0.820	34.22
180	140	16.4	136	45	35	12.8	0.957	32.51
180	160	16.4	122	45	40	14.6	0.905	31.00
200	140	18.2	137	50	35	12.7	1.101	88.86
200	160	18.2	132	50	40	14.6	1.166	78.57
200	180	18.2	137	50	45	16.4	1.310	70.36
225	140	20.5	162	55	35	12.8	1.600	106.08
225	160	20.5	136	55	40	14.6	1.420	91.06
225	180	20.5	162	55	45	16.4	1.920	86.65
225	200	20.5	162	55	50	18.2	1.960	76.42
250	160	22.7	149	60	40	14.6	1.895	121.57
250	180	22.7	177	60	45	16.4	2.420	112.57
250	200	22.7	144	60	50	18.2	2.000	98.59
250	225	22.7	144	60	55	20.5	2.080	103.48
280	200	25.4	188	70	50	18.2	3.440	135.42
280	225	25.4	202	70	55	20.5	3.440	126.26
280	250	25.4	165	70	60	22.7	3.020	121.57
315	200	28.6	200	80	50	18.2	3.860	172.87
315	225	28.6	200	80	55	20.5	4.280	152.91
315	250	28.6	200	80	60	22.7	4.060	139.20
315	280	28.6	227	80	70	25.4	5.125	163.13

Diam. t.e.m. 630 mm op aanvraag.
Diam. jusqu'à 630 mm sur demande.
Diam up to 630 mm on request.

PPH op aanvraag / sur demande /
on request

stomplasmafittings
raccords pour le soudage bout à bout
fittings for butt welding

PP-R



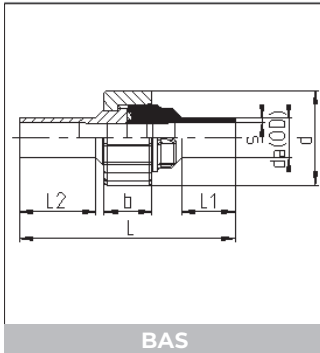
EXCENTRICHE VERLOOPSTUKKEN
REDUCTIONS EXCENTRIQUES
EXCENTRIC REDUCERS

d1	d2	SDR 17			SDR 11		
		s1	s2	z	s1	s2	z
160	90	9.1	5.1	150	14.6	8.2	150
160	110	9.1	6.3	130	14.6	10.0	135
160	125	9.1	7.1	120	14.6	11.4	120
160	140	9.1	8.0	105	14.6	12.8	105
180	110	10.2	6.3	150	16.4	10.0	150
180	125	10.2	7.1	140	16.4	11.4	140
180	140	10.2	8.0	125	16.4	12.8	125
180	160	10.2	9.1	105	16.4	14.6	105
200	125	11.4	7.1	155	18.2	11.4	155
200	140	11.4	8.0	145	18.2	12.8	145
200	160	11.4	9.1	125	18.2	14.6	125
200	180	11.4	10.2	105	18.2	16.4	105
225	140	12.8	8.0	170	20.5	12.8	165
225	160	12.8	9.1	150	20.5	14.6	150
225	180	12.8	10.2	130	20.5	16.4	130
225	200	12.8	11.4	110	20.5	18.2	110
250	160	14.2	9.1	175	22.8	14.6	175
250	180	14.2	10.2	155	22.8	16.4	155
250	200	14.2	11.4	135	22.8	18.2	135
250	225	14.2	12.8	110	22.8	20.5	110
280	180	15.9	10.2	185	25.5	16.4	185
280	200	15.9	11.4	165	25.5	18.2	165
280	225	15.9	12.8	140	25.5	20.5	140
280	250	15.9	14.2	115	25.5	22.8	115
315	200	17.9	11.4	200	28.7	18.2	210
315	225	17.9	12.8	175	28.7	20.5	185
315	250	17.9	14.2	150	28.7	22.8	160
315	280	17.9	15.9	120	28.7	25.5	135
355	225	20.1	12.8	210	32.3	20.5	225
355	250	20.1	14.2	190	32.3	22.8	200
355	280	20.1	15.9	160	32.3	25.5	175
355	315	20.1	17.9	135	32.3	28.7	150
400	250	22.7	14.2	235	36.4	22.8	245
400	280	22.7	15.9	205	36.4	25.5	215
400	315	22.7	17.9	180	36.4	28.7	195
400	355	22.7	20.1	145	36.4	32.3	155
450	280	25.5	15.9	255	41.0	25.5	265
450	315	25.5	17.9	230	41.0	28.7	240
450	355	25.5	20.1	195	41.0	32.3	205
450	400	25.5	22.7	150	41.0	36.4	160
500	315	28.3	17.9	290	45.5	28.7	290
500	355	28.3	20.1	250	45.5	32.3	255
500	400	28.3	22.7	210	45.5	36.4	210
500	450	28.3	25.5	160	45.5	41.0	165
560	400	31.7	22.7	265	51.0	36.4	280
560	450	31.7	25.5	220	51.0	41.0	235
560	500	31.7	28.3	180	51.0	45.5	195
630	450	35.7	25.5	290	57.3	41.0	300
630	500	35.7	28.3	250	57.3	45.5	265
630	560	35.7	31.7	195	57.3	51.0	210
710	560	40.2	31.7	270			
710	630	40.2	35.7	205			
800	560	-	-	360			
800	630	45.3	35.7	290			
800	710	45.3	40.2	225			
900	630	-	-	400			
900	710	51.0	40.2	330			
900	800	51.0	45.3	250			
1000	710	-	-	430			
1000	800	56.6	45.3	345			
1000	900	56.6	51.0	250			

prijzen op aanvraag
prix sur demande
prices on request

stomplasfittings
raccords pour le soudage bout à bout
fittings for butt welding

PP



DRIEDELIGE KOPPELINGEN
RACCORDS UNION
UNION SOCKETS

Gespoten SDR 11. ISO S5. O-ring in FPM. moer GVK
Injectés SDR 11. ISO S5. Joint torique en FPM. écrou FRP
Moulded SDR 11. ISO S5. O-ring in FPM. nut FRP

SDR 11 / ISO S-5

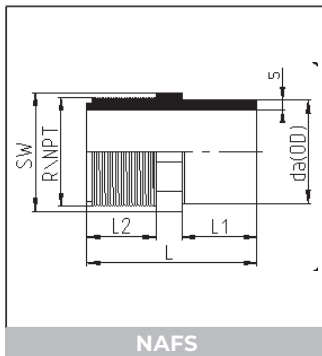
da	s	L	L1	L2	d	b	KG/ST/PC	€/ST/PC
20	1.9	108	24.0	38	47	24	0.046	19.96
25	2.3	114	24.0	39	57	26	0.075	21.74
32	2.9	122	25.0	39	64	30	0.106	26.11
40	3.7	128	25.0	42	78	31	0.168	36.91
50	4.6	134	25.0	44	89	35	0.228	52.21
63	5.8	138	25.0	44	109	39	0.382	71.05
*75	6.8	132	28.0	37	130	40	0.593	90.87
*90	8.2	133	35.5	57	130	40	0.609	93.94

* da 75-90 : moer / écrou / nut : PVDF



stomplasmafittings
raccords pour le soudage bout à bout
fittings for butt welding

PP-R



OVERGANGSSTUKKEN
EMBOUTS D'ADAPTATION
ADAPTOR COUPLINGS

Gespoten. S-5/SDR 11

Eén zijde buitendraad (standaard BSP draad. op aanvraag eveneens met NPT draad leverbaar).

Alleen geschikt voor kunststof draadverbindingen.

Injectés. S-5/SDR 11

Un côté mâle (à filetage BSP. également livrables à filetage NPT).

Uniquement pour des connexions matières synthétiques.

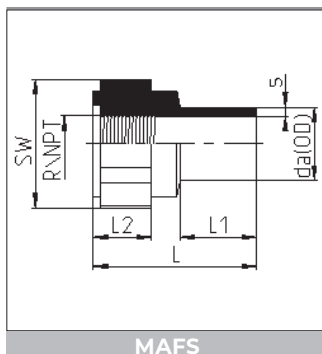
Moulded. S-5/SDR 11

One end male threaded (standard thread BSP. also available with NPT thread).

Only for plastic threaded connections.

da	s	L	L1	L2	SW	R	K	E	KG/ST/PC	€/ST/PC
20	1.9	46	20.5	18.0	22	1/2"	18.63	20.96	0.006	5.41
25	2.3	51	22.5	20.0	27	3/4"	24.12	26.44	0.009	6.46
32	2.9	61	29.0	24.0	36	1"	30.29	33.25	0.020	8.17
40	3.7	66	29.0	26.5	46	1 1/4"	38.95	41.91	0.033	9.82
50	4.6	74	33.0	29.0	55	1 1/2"	44.85	47.80	0.054	16.12
63	5.8	80	35.0	32.5	65	2"	56.66	59.61	0.085	20.37

NPT op aanvraag / sur demande / on request



OVERGANGSSTUKKEN
EMBOUTS D'ADAPTATION
ADAPTOR COUPLINGS

Gespoten. S-5/SDR 11.

Eén zijde binnendraad. GVK versterkt.

Alleen geschikt voor kunststof draadverbindingen.

Injectés. S-5/SDR 11.

Un côté femelle. Renforcé fibre de verre.

Uniquement pour des connexions matières synthétiques.

Moulded. S-5/SDR 11.

One end female threaded. Glassfiber reinforced.

Only for plastic threaded connections.

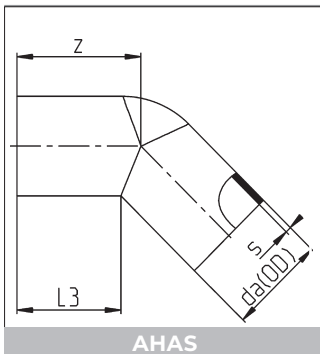
da	s	L	L1	L2	SW	R	K	E	KG/ST/PC	€/ST/PC
20	1.9	45	21	16	32	1/2"	18.63	20.96	0.013	6.87
25	2.3	51	24	18	41	3/4"	24.12	26.44	0.025	7.78
32	2.9	58	30	20	46	1"	30.29	33.25	0.033	10.20
40	3.7	62	30	24	55	1 1/4"	38.95	41.91	0.050	11.67
50	4.6	68	34	25.5	70	1 1/2"	44.85	47.80	0.100	18.38
63	5.8	75	36	30	85	2"	56.66	59.61	0.160	23.01

NPT: op aanvraag / sur demande / on request



stomplas- en electromoflasfittings - IR
 raccords pour le soudage bout à bout et electrosoudable - IR
 fittings for butt and electro socket welding - IR

PP-R

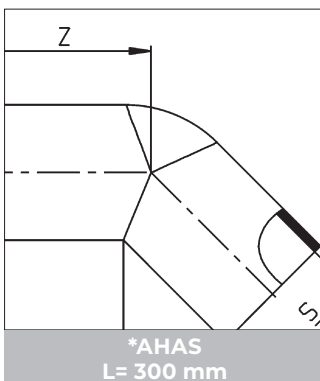


KNIEEN 45°
 COUDES A 45°
 ELBOWS 45°

Met verlengde benen. gespoten. Ook geschikt voor electromoflas.

Coudes injectés. à branches allongées. Conviennent aussi pour l'electro-soudage dans l'em-boîture.

Elongated. moulded.. Also suitable for electro socket welding.

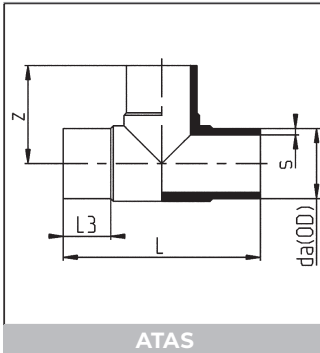


da	*AHAS - SDR 33 / ISO S-16					SDR 17 / ISO S-8					SDR 11 / ISO S-5				
	L2	L1	s	KG ST/PC	€ ST/PC	L3	z	s	KG ST/PC	€ ST/PC	L3	z	s	KG ST/PC	€ ST/PC
20											39.0	44.0	1.9	0.010	2.86
25											42.0	48.0	2.3	0.016	2.96
32											49.0	57.0	2.9	0.033	3.10
40											53.0	63.0	3.7	0.051	3.95
50											57.0	70.0	4.6	0.050	4.99
63						66.0	80.0	3.8	0.110	6.60	67.0	80.0	5.8	0.165	7.16
75						70.0	90.0	4.5	0.175	9.67	72.5	90.0	6.8	0.259	9.87
90						79.0	101.0	5.4	0.291	12.61	82.0	104.0	8.2	0.423	14.30
110	346	356	3.4	0.79	282.33	82.0	112.0	6.6	0.481	26.51	85.0	114.0	10.0	0.668	27.18
125	352	362	3.9	1.09	274.09	99.5	130.5	7.4	0.670	33.67	99.5	132.5	11.4	1.015	38.33
140	358	368	4.3	1.40	306.86	102.0	137.0	8.3	0.847	48.93	100.0	132.5	12.7	1.340	51.25
160	364	389	4.9	1.76	330.00	116.5	156.5	9.5	1.280	53.95	116.5	152.5	14.6	1.980	62.41
180	375	395	5.5	2.24	341.95	112.0	178.5	10.7	1.960	86.54	120.5	158.5	16.4	2.780	96.27
200	383	403	6.2	3.00	354.15	122.5	166.0	11.9	2.150	118.37	120.5	170.5	18.2	3.440	131.52
225	383	403	6.9	3.63	437.02	128.0	184.0	13.4	3.040	141.21	128.0	182.5	20.5	4.660	156.78
250	393	413	7.7	5.00	474.17	160.0	217.0	14.8	4.760	273.24	160.0	217.0	22.7	6.760	303.61
280	408	438	8.6	6.05	530.30	175.0	237.0	16.6	6.200	412.63	173.0	235.0	25.4	8.940	458.47
315	424	464	9.7	8.30	640.81	180.0	251.0	18.7	8.320	513.49	179.0	250.0	28.6	12.260	573.62
						*L2	*L1	*s			*L2	*L1	*s		
355	424	464	10.9	10.40	937.53	424	464	21.1	17.80	1128.20	424	464	32.2	27.40	1583.33
400	424	469	12.3	12.75	1025.27	424	469	23.7	22.70	1411.70	424	469	36.3	34.70	2067.38
450	466	511	13.8	18.10	1258.76	466	511	26.7	31.60	1771.46	466	511	40.9	47.80	2563.53
500						466	511	29.7	39.20	2152.25	466	511	45.4	59.30	3120.20



stompas- en electromoflasfittings - IR
raccords pour le soudage bout à bout et électrosoudable - IR
fittings for butt and electro socket welding - IR

PP-R



T-STUKKEN 90° VERLENGD
TES A 90° ALLONGES
TEES 90° ELONGATED

Gespoten. Ook geschikt voor electromoflas.
Injectés. Convient aussi pour l'électro-soudage.
Moulded. Also suitable for electric socket welding.

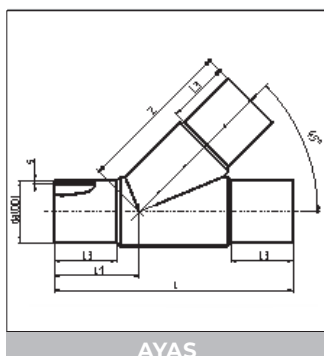
SDR 11 / ISO S-5

da	L3	L	z	s	KG/ST/PC	€/ST/PC
20	37.0	109	57	1.9	0.020	4.70
25	40.0	117	59	2.3	0.034	5.38
32	45.0	144	72	2.9	0.065	6.43
40	51.0	168	84	3.7	0.111	7.96
50	58.0	192	97	4.6	0.188	10.53
63	66.0	229	115	5.8	0.366	14.52
75	71.0	264	131	6.8	0.613	24.09
90	82.0	290	145	8.2	0.954	34.28
110	86.0	320	160	10.0	1.500	50.19
125	93.5	356	175	11.4	2.140	68.87
140	98.0	380	190	12.7	2.760	110.68
160	102.5	410	208	14.6	4.000	143.63
180	138.0	528	264	16.4	6.660	188.45
200	116.0	500	250	18.2	7.740	270.49
225	125.5	552	275	20.5	10.600	320.84
250	148.0	630	315	22.7	14.880	414.28
280	161.0	704	352	25.4	20.320	621.21
315	170.0	760	380	28.6	27.800	795.53



stomplas- en electromoflasfittings - IR
raccords pour le soudage bout à bout et electrosoudable - IR
fittings for butt and electro socket welding - IR

PP-R



T-STUKKEN 45° VERLENGD
TES A 45° ALLONGES
TEES 45° ELONGATED

Gespoten. Ook geschikt voor electromoflas.
Injectés. Convient aussi pour l'electro-soudage.
Moulded. Also suitable for electric socket welding.

SDR 17 / ISO S-8

da	s	z	L	L3	L1	KG/ST/PC	€/ST/PC
63	3.8	170.0	262	64	93	0.390	48.08
75	4.5	192.0	294	71	103	0.535	78.24
90	5.4	230.0	351	83	122	0.903	108.41
110	6.6	250.5	385	84	131	1.540	159.11
125	7.4	292.5	431	90	140	2.170	218.33
140	8.3	315.5	468	94	150	2.912	350.83
160	9.5	360.0	526	100	166	4.334	455.48
180	10.7	390.0	568	107	179	5.832	597.56
200	11.9	416.0	605	114	191	8.320	857.75
225	13.4	474.0	678	122	206	11.860	1019.51

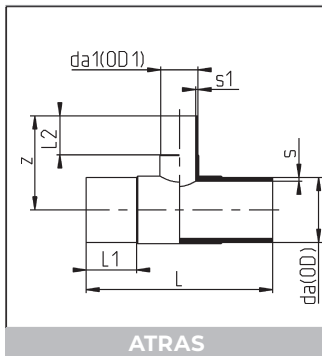
SDR 11 / ISO S-5

da	s	z	L	L3	L1	KG/ST/PC	€/ST/PC
32	2.9	131.0	195	45	65	0.110	23.43
40	3.7	137.0	211	50	72	0.170	29.08
50	4.6	148.5	228	56	81	0.270	38.55
63	5.8	170.0	262	64	93	0.495	53.12
75	6.8	192.0	294	71	103	0.786	88.13
90	8.2	230.0	351	80	122	1.219	120.77
110	10.0	250.5	385	84	131	2.045	176.80
125	11.4	300.0	431	89	140	2.938	242.67
140	12.7	323.0	467	94	150	3.927	389.97
160	14.6	369.0	530	100	166	5.862	506.04
180	16.4	383.0	568	107	179	7.864	664.00
200	18.2	422.5	605	114	191	10.800	953.55
225	20.5	474.0	678	122	206	15.420	1133.17



stomplas- en electromoflasfittings - IR
raccords pour le soudage bout à bout et electrosoudable - IR
fittings for butt and electro socket welding - IR

PP-R



VERLOOP T-STUKKEN 90° VERLENGD
TES REDUITS A 90° ALLONGES
TEES 90° REDUCING ELONGATED

Gespoten. Ook geschikt voor electromoflas.
Injectés. Convient aussi pour l'electro-soudage.
Moulded. Also suitable for electric socket welding.

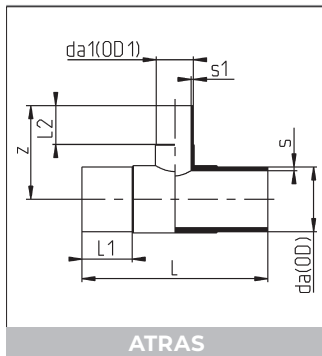
SDR 17 / ISO S-8

da/ da1	s	z	L	L1	L2	s1	KG/ST/PC	€/ST/PC
63/ 50	3.8	103.0	220	63.0	56.0	3.0	0.208	15.70
75/ 50	4.5	110.0	265	75.0	56.0	3.0	0.406	23.84
75/ 63	4.5	117.0	260	72.0	63.0	3.8	0.415	24.22
90/ 63	5.4	138.5	275	81.0	64.0	3.8	0.591	33.90
90/ 75	5.4	138.0	278	77.0	68.0	4.5	0.570	34.21
110/ 63	6.6	159.0	315	87.0	65.0	3.8	0.957	50.28
110/ 75	6.6	151.0	315	85.0	70.0	4.5	0.850	50.28
110/ 90	6.6	156.0	317	85.0	79.5	5.4	0.915	51.47
125/ 63	7.4	170.0	350	110.0	70.0	3.8	1.380	69.84
125/ 90	7.4	170.0	351	112.0	92.0	5.4	1.300	69.84
125/110	7.4	170.0	340	90.0	83.0	6.6	1.235	69.84
160/ 63	9.5	175.0	347	100.0	67.0	3.8	1.920	138.42
160/ 75	9.5	179.0	348	101.0	76.0	4.5	1.905	142.61
160/ 90	9.5	182.0	349	101.0	80.0	5.4	1.940	142.61
160/110	9.5	202.0	400	100.0	85.0	6.6	2.360	143.93
180/ 90	10.7	202.0	427	138.0	97.0	5.4	2.800	192.41
200/ 63	11.9	225.0	550	134.0	80.0	3.8	4.963	258.69
200/ 90	11.9	229.0	560	134.0	95.0	5.4	5.124	258.69
200/110	11.9	245.0	560	136.0	105.0	6.6	5.220	258.69
200/125	11.9	240.0	550	134.0	110.0	7.4	5.260	258.69
200/160	11.9	275.0	564	137.0	118.0	9.5	6.154	258.57
225/ 75	13.4	226.0	451	120.0	75.0	4.5	4.900	324.67
225/ 90	13.4	226.0	450	120.0	79.0	5.4	5.000	324.67
225/110	13.4	226.0	458	124.0	85.0	6.6	4.960	325.71
225/160	13.4	250.0	505	122.5	100.0	9.5	6.260	326.65
225/180	13.4	280.0	558	135.0	135.0	10.7	7.100	327.22
250/110	14.8	247.0	632	152.0	87.0	6.6	9.980	541.06
250/160	14.8	272.0	630	148.0	101.0	9.5	10.540	541.06
250/200	14.8	294.0	630	148.0	118.5	11.9	11.060	541.06
315/110	18.7	292.0	555	170.0	102.0	6.6	11.400	902.90
315/160	18.7	315.0	585	170.0	120.0	9.5	12.560	902.90
315/225	18.7	335.0	650	170.0	145.0	13.4	13.980	943.91
315/250	18.7	340.0	680	170.0	150.0	14.8	16.200	943.91



stomplas- en electromoflasfittings - IR
raccords pour le soudage bout à bout et electrosoudable - IR
fittings for butt and electro socket welding - IR

PP-R



VERLOOP T-STUKKEN 90° VERLENGD
TES REDUITS A 90° ALLONGES
TEES 90° REDUCING ELONGATED

Gespoten. Ook geschikt voor electromoflas.
Injectés. Convient aussi pour l'electro-soudage.
Moulded. Also suitable for electric socket welding.

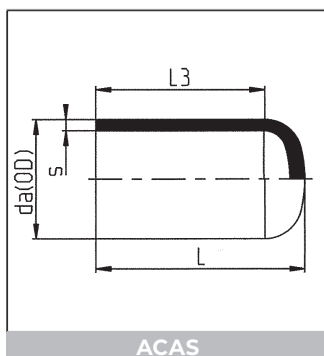
SDR 11 / ISO S-5

da	s	z	L	L1	L2	s1	KG/ST/PC	€/ST/PC
63/ 25	5.8	88.0	231.0	65.0	42.5	2.3	0.190	16.99
63/ 32	5.8	92.0	230.5	66.0	45.5	2.9	0.295	16.99
63/ 40	5.8	96.0	229.0	66.0	51.0	3.7	0.290	16.99
63/ 50	5.8	102.5	231.0	66.0	56.0	4.6	0.292	16.99
75/ 32	6.8	107.5	265.0	75.5	47.0	2.9	0.498	26.61
75/ 50	6.8	110.0	265.0	75.0	56.0	4.6	0.530	26.61
75/ 63	6.8	117.0	260.0	72.0	63.0	5.8	0.537	27.17
90/ 63	8.2	138.5	275.0	81.0	64.0	5.8	0.739	37.94
90/ 75	8.2	140.0	278.0	77.0	71.0	6.8	0.796	38.21
110/ 63	10.0	159.0	315.0	87.0	65.0	5.8	1.240	56.23
110/ 75	10.0	151.0	315.0	85.0	70.0	6.8	1.180	56.23
110/ 90	10.0	156.0	317.0	85.0	79.5	8.2	1.261	57.01
125/ 90	11.4	170.0	340.0	112.0	92.0	8.2	1.640	78.24
125/110	11.4	170.0	345.5	90.0	83.0	10.0	1.850	78.24
160/ 63	14.6	175.0	347.0	100.0	67.0	5.8	2.560	153.80
160/ 75	14.6	179.0	348.0	101.0	76.0	6.8	2.620	155.08
160/ 90	14.6	182.0	349.0	101.0	80.0	8.2	2.620	155.08
160/110	14.6	202.0	400.0	100.0	85.0	10.0	3.160	158.96
180/ 90	16.4	201.0	427.0	138.0	97.0	8.2	4.240	213.13
180/110	16.4	225.0	464.0	148.0	101.0	10.0	4.600	213.13
200/ 63	18.2	226.0	560.0	137.0	81.0	5.8	6.940	213.13
200/ 90	18.2	230.0	560.0	137.0	92.0	8.2	6.860	286.78
200/110	18.2	245.0	560.0	136.0	105.0	10.0	6.980	286.78
200/125	18.2	240.0	560.0	134.0	110.0	11.4	6.920	286.78
200/160	18.2	275.0	564.0	137.0	118.0	14.6	8.340	286.78
225/ 75	20.5	226.0	455.0	124.0	75.0	6.8	6.620	360.40
225/ 90	20.5	226.0	456.0	124.0	79.0	8.2	6.660	360.40
225/110	20.5	226.0	456.0	124.0	85.0	10.0	6.660	360.40
225/160	20.5	250.0	498.0	120.0	100.0	14.6	8.220	361.82
225/180	20.5	280.0	558.0	135.0	135.0	16.4	9.200	363.11
250/110	22.7	247.0	632.0	152.0	87.0	10.0	12.460	601.20
250/160	22.7	272.0	634.0	152.0	101.0	14.6	12.960	601.20
250/200	22.7	294.0	630.0	148.0	118.5	18.2	14.060	601.20
315/110	28.6	292.0	555.0	170.0	102.0	10.0	15.680	981.41
315/160	28.6	315.0	585.0	170.0	120.0	14.6	17.020	981.41
315/225	28.6	335.0	650.0	170.0	145.0	20.5	20.580	981.41
315/250	28.6	340.0	680.0	170.0	150.0	22.7	21.840	1025.97



stomplas- en electromoflasfittings - IR
raccords pour le soudage bout à bout et electrosoudable - IR
fittings for butt and electro socket welding - IR

PP-R



EINDKAPPEN VERLENGD
BOUCHONS ALLONGES
END CAPS ELONGATED

SDR 11

Gespoten. Ook geschikt voor electromoflas.
Injectés. Convient aussi pour l'électro-soudage.
Moulded. Also suitable for electric socket welding.

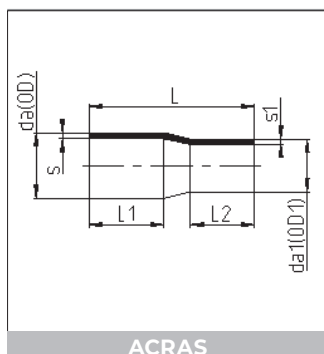
ISO S-5/SDR 11

da	L3	L	S	KG/ST/PC	€/ST/PC
20	41.0	47	1.9	0.006	3.65
25	41.0	49	2.3	0.008	4.03
32	47.0	56	2.9	0.016	5.06
40	51.0	64	3.7	0.027	6.25
50	60.0	73	4.6	0.048	8.17
63	68.0	84	5.8	0.088	10.77
75	75.0	93	6.8	0.140	16.68
90	84.0	109	8.2	0.240	25.33
110	104.0	136	10.0	0.457	34.32
125	102.0	138	11.4	0.565	37.09
140	106.0	144	12.7	0.788	46.39
160	118.5	170	14.6	1.140	52.00
180	115.0	164	16.4	1.420	67.59
200	127.0	181	18.2	1.880	84.21
225	131.0	202	20.5	2.680	100.50
250	161.0	230	22.7	3.760	150.62
280	162.0	257	25.4	5.240	213.92
315	171.0	272	28.6	6.870	287.62



stomplas- en electromoflasfittings - IR
raccords pour le soudage bout à bout et électrosoudable - IR
fittings for butt and electro socket welding - IR

PP-R



CONCENTRISCHE VERLOOPSTUKKEN VERLENGD
REDUCTIONS CONCENTRIQUES ALLONGEES
CONCENTRIC REDUCERS ELONGATED

L = 5 m. gladde uitvoering

Gespoten. Ook geschikt voor electromoflas.
Injectées. Convient également pour l'électrosoudage.
Moulded. Also suitable for electro socket welding.

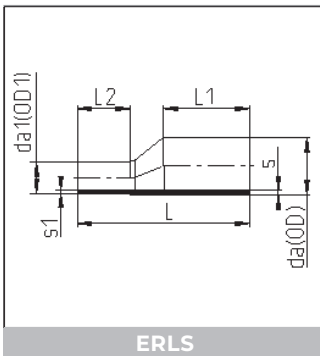
SDR 11 / ISO S-5

da	da1	L	L1	L2	s	s1	KG/ST/PC	€/ST/PC
25	20	88	41.5	41.5	2.3	1.9	0.012	3.13
32	20	92	45.5	40.0	2.9	1.9	0.017	3.48
32	25	92	44.0	41.0	2.9	2.3	0.020	3.48
40	20	102	50.5	39.0	3.7	1.9	0.028	5.06
40	25	102	50.5	40.5	3.7	2.3	0.034	5.06
40	32	104	51.0	45.0	3.7	2.9	0.037	5.06
50	25	118	55.0	44.0	4.6	2.3	0.051	6.27
50	32	118	59.0	46.0	4.6	2.9	0.040	6.27
50	40	126	57.0	50.0	4.6	3.7	0.068	6.27
63	25	143	65.0	44.0	5.8	2.3	0.090	8.31
63	32	136	64.0	49.0	5.8	2.9	0.097	8.31
63	40	128	59.0	50.0	5.8	3.7	0.099	8.31
63	50	150	66.0	59.0	5.8	4.6	0.128	8.31
75	50	148	64.0	58.0	6.8	4.6	0.159	12.89
75	63	149	65.0	64.0	6.8	5.8	0.183	12.89
90	63	157	72.0	60.0	8.2	5.8	0.250	18.04
90	75	163	75.0	63.0	8.2	6.8	0.282	18.17
110	63	180	83.0	63.0	10.0	5.8	0.405	24.25
110	90	180	83.0	75.0	10.0	8.2	0.484	24.25
125	63	187	87.0	61.0	11.4	5.8	0.532	29.21
125	90	190	92.0	75.0	11.4	8.2	0.608	29.21
125	110	200	89.0	82.0	11.4	10.0	0.697	29.21
140	125	215	95.0	95.0	12.7	11.4	0.940	41.94
160	90	220	99.0	85.0	14.6	8.2	1.000	55.98
160	110	220	99.0	88.0	14.6	10.0	1.120	56.14
160	125	228	98.0	92.0	14.6	11.4	1.280	56.14
160	140	229	101.0	96.0	14.6	12.7	1.300	56.47
180	125	272	131.0	96.0	16.4	11.4	1.790	72.75
180	160	245	110.0	108.0	16.4	14.6	2.000	72.75
200	160	252	112.0	102.0	18.2	14.6	2.140	79.73
225	160	270	128.0	101.0	20.5	14.6	2.800	128.26
250	160	317	155.0	113.0	22.7	14.6	3.880	173.41
250	200	314	146.0	125.0	22.7	18.2	4.200	181.38
250	225	315	153.0	133.0	22.7	20.5	4.540	181.38
280	250	355	165.0	155.0	25.4	22.7	6.220	241.73
315	200	380	180.0	134.0	28.6	18.2	7.120	311.02
315	250	375	170.0	155.0	28.6	22.7	7.760	311.02



stomplas- en electromoflasfittings - IR
raccords pour le soudage bout à bout et électrosoudable - IR
fittings for butt and electro socket welding - IR

PP-R



EXCENTRICHE VERLOOPSTUKKEN VERLENGD
REDUCTIONS EXCENTRIQUES ALLONGEES
EXCENTRIC REDUCERS ELONGATED

Gespoten. Ook geschikt voor electromoflas.
Injectées. Convient également pour l'électrosoudage.
Moulded. Also suitable for electro socket welding.

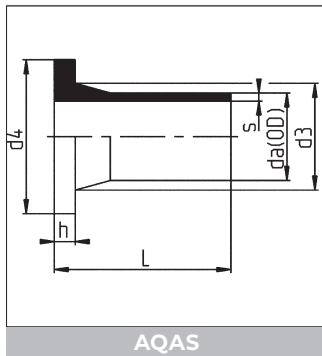
SDR 11 / ISO S-5

da/da'	L	L1	L2	s	s1	KG/ST/PC	€/ST/PC
25/ 20	103.0	51.0	38.0	2.3	1.9	0.018	3.71
32/ 25	114.0	56.0	40.0	3.0	2.3	0.020	4.35
40/ 25	126.0	60.0	40.0	3.7	2.3	0.046	5.93
40/ 32	125.0	59.0	44.0	3.7	3.0	0.045	5.93
50/ 32	156.0	71.0	45.0	4.6	2.9	0.082	7.41
50/ 40	157.0	71.0	49.0	4.6	3.7	0.085	7.41
63/ 32	177.0	75.0	45.0	5.8	2.9	0.127	10.65
63/ 40	177.0	76.0	49.0	5.8	3.7	0.130	10.65
63/ 50	177.0	76.0	56.0	5.8	4.6	0.149	10.65
75/ 50	197.0	84.0	57.0	6.8	4.6	0.216	16.45
75/ 63	197.0	83.0	63.0	6.8	5.8	0.243	16.45
90/ 63	220.0	92.0	64.0	8.2	5.8	0.345	23.05
90/ 75	223.0	97.0	70.0	8.2	6.8	0.390	23.05
110/ 63	247.0	99.0	63.0	10.0	5.8	0.550	31.05
110/ 90	244.0	98.0	79.0	10.0	8.2	0.629	31.05
125/ 63	268.0	105.0	63.0	11.4	5.8	0.785	37.23
125/ 90	265.0	106.5	79.0	11.4	8.2	0.856	37.23
125/110	265.0	103.0	87.0	11.4	10.0	0.927	37.23
140/125	287.0	113.5	94.0	12.7	11.4	1.265	53.63
160/ 90	309.0	117.5	79.0	14.6	8.2	1.480	71.59
160/110	309.0	115.5	87.0	14.6	10.0	1.560	71.59
160/125	309.0	116.5	91.0	14.6	11.4	1.658	71.59
160/140	308.0	116.5	98.0	14.6	12.7	1.760	71.59
180/ 90	348.0	128.5	79.0	16.4	8.2	2.120	93.06
180/125	353.0	135.5	93.0	16.4	11.4	2.380	93.06
180/160	353.0	135.5	104.0	16.4	14.6	2.680	93.06
200/160	373.0	138.5	104.0	18.2	14.6	3.200	101.97
200/180	373.0	143.5	111.0	18.2	16.4	3.410	101.97
225/160	405.0	154.5	102.5	20.5	14.6	4.200	164.02
225/180	403.0	154.5	111.0	20.5	16.4	4.440	164.02
225/200	403.0	155.5	126.0	20.5	18.2	4.623	164.02
250/200	440.5	180.0	120.0	22.7	18.2	6.020	215.27
250/225	442.0	182.0	125.0	22.7	20.5	6.336	215.27



stomplas- en electromoflasfittings - IR
raccords pour le soudage bout à bout et électrosoudable - IR
fittings for butt and electro socket welding - IR

PP-R



VOORLASKRAGEN. VERLENGD
COLLETS ALLONGEES
STUBS ELONGATED

Gespoten. Ook geschikt voor electromoflas.
Injectées. Convient également pour l'électrosoudage.
Moulded. Also suitable for electro socket welding.

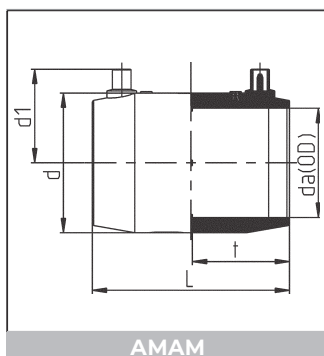
SDR 11 / ISO S-5

da	s	L	L3	d3	d4	h	KG/ST/PC	€/ST/PC
20	1.9	88.0	64	27	45	7	0.020	4.21
25	2.3	88.0	64	33	58	9	0.035	4.39
32	2.9	89.0	61	40	68	10	0.054	5.12
40	3.7	102.0	67	50	78	11	0.083	6.08
50	4.6	102.0	69	61	88	12	0.118	7.39
63	5.8	124.0	78	75	102	14	0.210	9.36
75	6.8	127.5	89	89	122	16	0.295	12.08
90	8.2	143.0	104	105	138	17	0.438	15.78
110	10.0	162.0	115	125	158	18	0.705	20.08
125	11.4	173.0	124	132	158	25	0.841	24.48
140	12.7	193.0	133	155	188	25	1.240	35.22
160	14.6	203.0	148	175	212	25	1.680	47.70
180	16.4	213.0	158	183	212	30	1.940	61.12
200	18.2	213.0	140	232	268	32	3.080	86.71
225	20.5	213.0	145	235	268	32	3.180	89.43
250	22.7	210.0	132	285	320	35	4.500	137.02
280	25.4	220.0	143	288	320	35	5.000	166.91
315	28.6	238.0	154	335	370	35	7.000	221.96



electromoflasfittings
raccords pour electrosoudable
fittings for electro socket welding

PP-R



ELECTROLASMOFFEN
MANCHONS ELECTRO-SOUDAGE
ELECTRO WELDING SLEEVES

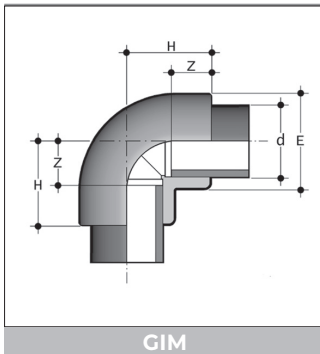
Geschikt voor PP. 40 V
Pour PP. 40 V
For PP. 40 V

da	L	d	d1	t	SDR	KG/ST/PC	€/ST/PC
20	75	31.2	35.0	38.0	7.4-6	0.040	24.26
25	81	36.2	38.0	41.0	11-6	0.048	27.78
32	87	44.0	42.0	44.0	11-6	0.066	30.93
40	98	55.0	44.5	49.0	11-6	0.104	32.57
50	110	65.0	50.0	55.0	17-6	0.140	45.34
63	126	80.0	56.5	63.0	17-6	0.220	48.11
75	141	97.0	65.5	70.0	17-6	0.350	74.28
90	142	114.0	73.0	70.0	17-6	0.494	97.79
110	153	140.0	83.0	75.0	17-6	0.780	111.59
125	171	161.0	90.5	85.0	17-11	1.260	174.48
140	181	180.0	98.0	90.0	17-11	1.600	197.87
160	181	200.0	108.5	90.0	17-11	1.710	226.69
180	202	222.0	119.0	99.0	17-11	2.360	398.50
200	217	246.0	129.0	106.5	17-11	3.180	374.65
225	233	277.0	144.0	115.0	17-11	4.300	461.97
250	242	310.0	159.0	119.0	17-11	5.680	1031.76
280	254	349.0	180.0	125.0	17-11	7.400	1510.57
315	262	393.0	201.0	130.0	17-11	10.330	1680.97
355	282	445.0	225.0	140.0	17-11	14.750	1961.95



moflasfittings
raccords pour le soudage dans l'emboîture
fittings for socket welding

PP

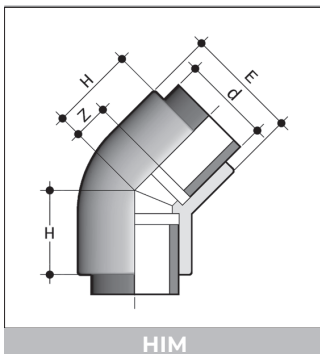


KNIEEN 90°
COUDES A 90°
ELBOWS 90°

PN 10

Gespoten
Injectés
Moulded

D	H	Z	E	€/ST/PC
20	27.5	13.0	27.5	4.50
25	32.0	16.0	33.5	5.40
32	37.0	20.0	41.5	6.51
40	42.5	22.0	51.5	8.20
50	51.0	27.5	63.5	15.14
63	61.0	33.5	78.5	19.67
75	73.0	42.0	92.5	40.88
90	64.5	49.0	110.5	50.18
110	100.5	59.0	135.0	75.27



KNIEEN 45°
COUDES A 45°
ELBOWS 45°

PN 10

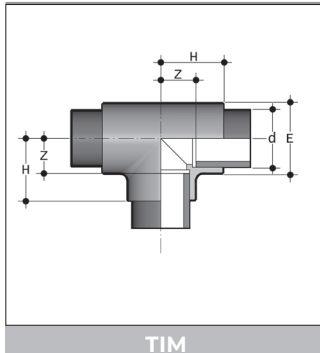
Gespoten
Injectés
Moulded

d	D	L	Z	€/ST/PC
20	27.5	21.0	6.5	6.51
25	33.5	24.5	8.5	6.93
32	42.0	29.0	12.0	8.50
40	51.5	35.5	15.0	11.80
50	63.0	42.5	19.0	15.14
63	79.0	51.0	23.5	20.13
75	93.0	51.0	20.0	37.31
90	114.0	58.0	23.0	52.29
110	135.0	68.0	27.0	77.56



moflasfittings
raccords pour le soudage dans l'emboîture
fittings for socket welding

PP



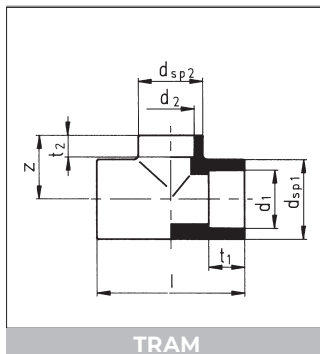
TIM

T-STUKKEN 90°
TES A 90°
TEES 90°

PN 10

Gespoten
Injectés
Moulded

D	H	Z	E	€/ST/PC
20	27.5	13.0	27.5	5.16
25	31.5	15.5	33.5	5.92
32	37.0	19.0	41.5	6.93
40	42.0	22.5	52.0	8.90
50	52.0	28.5	64.0	15.76
63	62.5	35.0	79.5	20.06
75	71.0	40.0	92.5	46.59
90	81.5	46.0	110.5	75.15
110	99.5	58.0	134.5	95.43



TRAM

VERLOOP T-STUKKEN 90°
TES REDUITS A 90°
REDUCED TEES 90°

PN 10

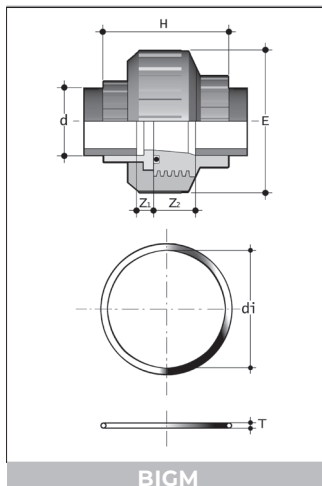
Gespoten
Injectés
Moulded

d1 x d2	dsp1	dsp2	t1	t2	l ¹	z	KG/ST/PC	€/ST/PC
25 x 20	34.8	29.9	18.4	16.1	68.5	31.9	0.04	6.13
32 x 20	43.0	29.9	20.0	16.1	79.7	39.8	0.05	7.49
32 x 25	43.0	35.0	20.0	18.0	79.5	40.0	0.06	7.49
40 x 20	53.0	29.7	21.7	16.1	89.9	44.8	0.08	8.53
40 x 25	53.2	35.3	21.7	18.0	90.5	46.8	0.08	8.53
40 x 32	53.0	43.0	21.5	19.0	91.0	45.0	0.10	8.53
50 x 20	65.4	30.0	25.0	16.0	110.0	50.0	0.16	13.76
50 x 25	65.5	35.5	25.0	18.0	110.0	51.0	0.16	13.76
50 x 32	65.0	43.0	24.0	19.0	108.0	54.0	0.17	13.76
50 x 40	65.0	53.0	24.5	21.0	107.0	52.5	0.17	13.76
63 x 25	81.0	36.0	28.6	17.6	130.0	65.0	0.27	20.14
63 x 32	81.0	43.5	28.6	19.1	130.0	65.0	0.27	20.14
63 x 40	81.0	53.0	28.6	21.5	130.0	65.0	0.28	20.14
63 x 50	81.0	66.0	28.6	24.0	130.0	65.0	0.28	20.14



moflafittings
raccords pour le soudage dans l'emboîture
fittings for socket welding

PP



DRIEDELIGE KOPPELINGEN
RACCORDS UNION
SOCKET UNIONS

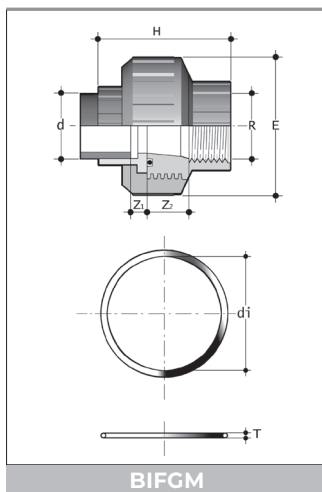
PN 10

Gespoten. Beide zijden inwendige lasmof.
Afdichting: O-ring in EPDM of FPM.

Injectés. Deux côtés femelles à souder.
Etanchéité: joint torique en EPDM ou en FPM.

Moulded. Both ends for socket welding.
Sealing: O-ring made of EPDM or FPM.

D	R1	Z1	Z2	H	E	€/ST/PC	
						EPDM	FPM
20	1"	12	5.5	45.5	47	17.52	20.54
25	1 1/4"	12	5.5	49.5	58	19.62	22.53
32	1 1/2"	12	5.5	53.5	65	22.53	26.72
40	2"	14	5.5	59.5	78	28.41	35.75
50	2 1/4"	16	5.5	67.5	85	40.71	50.09
63	2 3/4"	20	5.5	79.5	103	58.01	69.05



DRIEDELIGE KOPPELINGEN
RACCORDS UNION
SOCKET UNIONS

PN 10

Gespoten. Eén zijde inwendige lasmof, andere zijde cilindrische binnendraad.
Afdichting: O-ring in EPDM of FPM

Injectés. Un côté femelle à souder, un côté femelle à filetage cylindrique.
Etanchéité: joint torique en EPDM ou en FPM .

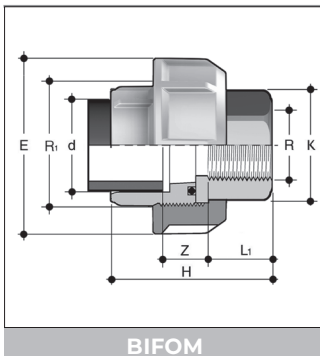
Moulded. One end for socket welding, other end with interior parallel thread.
Sealing: O-ring made of EPDM or FPM.

D x R	R1	L1	Z1	Z2	H	E	€/ST/PC	
							EPDM	FPM
20 x 1/2"	1"	15.0	5.5	16.0	50.5	47	26.72	31.19
25 x 3/4"	1 1/4"	16.3	5.5	16.7	54.5	58	29.28	33.62
32 x 1"	1 1/2"	19.1	5.5	16.9	59.5	65	30.69	37.42
40 x 1 1/4"	2"	21.4	5.5	19.6	66.5	78	47.85	60.84
50 x 1 1/2"	2 1/4"	21.4	5.5	23.6	73.5	85	70.03	86.94
63 x 2"	2 3/4"	25.7	5.5	24.3	82.5	103	80.47	95.43



moflasmittings
raccords pour le soudage dans l'emboîture
fittings for socket welding

PP



BIFOM

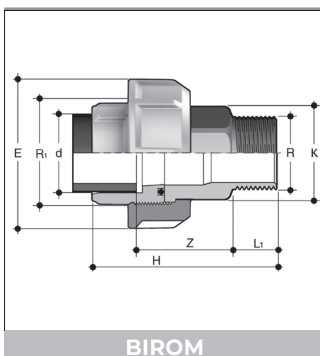
DRIEDELIGE KOPPELINGEN
RACCORDS D'ADAPTATION 3 PIECES
SOCKETS UNIONS

Inlegstuk: PP met lasmof
Puntstuk: messing met parallel binnendraad
Wartelmoer: PP
Afdichting: O-ring EPDM

Pièce folle: PP, côté femelle à souder
Pièce taraudée: laiton, femelle à filetage parallèle
Ecrou: PP
Etanchéité: joint torique EPDM

Insert: PP, socket for socket welding
Close end: brass with parallel female threaded
Union nut: PP
Sealing: O-ring EPDM

d x R	R1	PN	L1	Z	H	K	E	€/ST/PC
20 x 1/2"	1"	10	16.5	18.0	48.5	25	47	30.87
25 x 3/4"	1 1/4"	10	18.5	19.0	53.5	32	58	37.66
32 x 1"	1 1/2"	10	19.5	20.0	57.5	38	65	47.05
40 x 1 1/4"	2"	10	21.5	23.0	64.5	48	78	58.03
50 x 1 1/2"	2 1/4"	10	23.0	32.5	78.5	55	85	74.95
63 x 2"	2 3/4"	10	27.0	31.5	85.5	69	103	97.30



BIROM

DRIEDELIGE KOPPELINGEN
RACCORDS D'ADAPTATION 3 PIECES
SOCKETS UNIONS

Inlegstuk: PP met lasmof
Puntstuk: messing met parallel buitendraad
Wartelmoer: PP
Afdichting: O-ring EPDM

Pièce folle: PP, côté femelle à souder
Pièce taraudée: laiton, mâle à filetage parallèle
Ecrou: PP
Etanchéité: joint torique EPDM

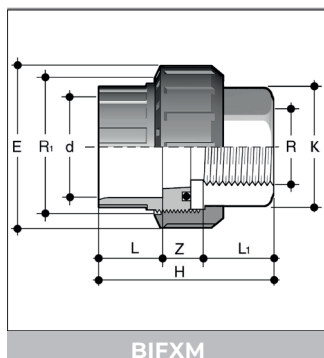
Insert: PP, socket for socket welding
Close end: brass with parallel male threaded
Union nut: PP
Sealing: O-ring EPDM

d x R	R1	PN	L1	Z	H	K	E	€/ST/PC
20 x 1/2"	1"	10	13.5	37.5	65.0	25	47	34.73
25 x 3/4"	1 1/4"	10	15.0	40.5	71.5	32	58	42.00
32 x 1"	1 1/2"	10	17.5	42.5	78.0	38	65	53.97
40 x 1 1/4"	2"	10	19.5	47.5	87.0	48	78	71.17
50 x 1 1/2"	2 1/4"	10	19.5	52.5	95.0	55	85	87.71
63 x 2"	2 3/4"	10	24.0	62.5	113.5	69	103	113.06



moflasfittings
raccords pour le soudage dans l'emboîture
fittings for socket welding

PP



BIFXM

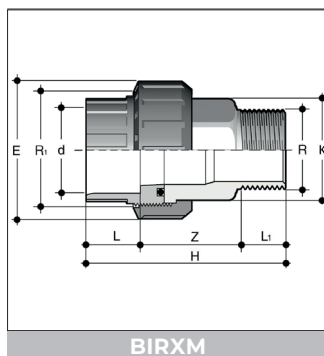
DRIEDELIGE KOPPELINGEN
RACCORDS D'ADAPTATION 3 PIECES
SOCKETS UNIONS

Inlegstuk: PP met lasmof
Puntstuk: RVS A316 L met BSP binnendraad
Wartelmoer: PP
Afdichting: O-ring EPDM of FPM

Pièce folle: PP, côté femelle à souder
Pièce taraudée: inox A316 L, femelle à filetage BSP
Ecrou: PP
Etanchéité: joint torique EPDM / FPM

Insert: PP, socket for socket welding
Close end: BSP threaded A316 L stainless steel female
Union nut: PP
Sealing: O-ring EPDM or FPM

d x R	R1	PN	L1	Z	L	H	K	E	€/ST/PC	
									EPDM	FPM
20 x 1/2"	1"	16	16.5	16.0	16	48.5	25	41	136.53	139.38
25 x 3/4"	1 1/4"	16	18.5	17.0	19	54.5	32	50	165.88	168.84
32 x 1"	1 1/2"	16	19.5	18.0	22	59.5	38	58	193.22	197.47
40 x 1 1/4"	2"	16	21.5	21.0	26	68.5	48	72	233.56	240.99
50 x 1 1/2"	2 1/4"	16	23.0	30.5	31	84.5	55	79	256.16	265.77
63 x 2"	2 3/4"	16	27.0	29.5	38	94.5	69	98	281.46	292.75



BIRXM

DRIEDELIGE KOPPELINGEN
RACCORDS D'ADAPTATION 3 PIECES
SOCKETS UNIONS

Inlegstuk: PP met lasmof
Puntstuk: RVS A316 L met BSP buitendraad
Wartelmoer: PP
Afdichting: O-ring EPDM of FPM

Pièce folle: PP, côté femelle à souder
Pièce taraudée: inox A316 L, mâle à filetage BSP.
Ecrou: PP
Etanchéité: joint torique EPDM ou FPM

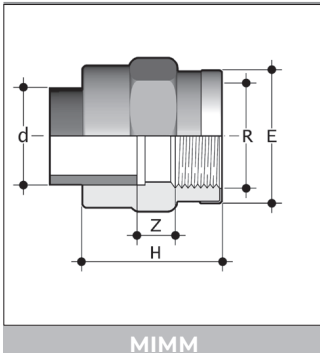
Insert: PP, socket for socket welding
Close end: BSP threaded A316 L stainless steel male
Union nut: PP
Sealing: O-ring EPDM or FPM

d x R	R1	PN	L1	Z	L	H	K	E	€/ST/PC	
									EPDM	FPM
20 x 1/2"	1"	16	13.5	35.5	16	65.0	25	41	153.60	156.52
25 x 3/4"	1 1/4"	16	15.0	38.5	19	72.5	32	50	184.97	187.95
32 x 1"	1 1/2"	16	17.5	40.5	22	80.0	38	58	221.69	227.11
40 x 1 1/4"	2"	16	19.5	45.5	26	91.0	48	72	286.56	293.96
50 x 1 1/2"	2 1/4"	16	19.5	50.5	31	101.0	55	79	299.78	309.44
63 x 2"	2 3/4"	16	24.0	60.5	38	122.5	69	98	327.01	338.34



moflasfittings
raccords pour le soudage dans l'emboîture
fittings for socket welding

PP



MIMM

OVERGANGSSTUKKEN
EMBOUTS D'ADAPTATION
ADAPTOR COUPLINGS

PN 10

Gespoten.

Eén zijde inwendige lasmof, andere zijde cilindrische binnendraad met RVS versterkingsring.

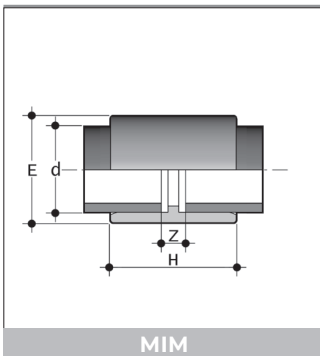
Injectés.

Un côté femelle à souder, un côté femelle à filetage cylindrique renforcé d'une bague en inox.

Moulded.

One end for socket welding, other end with interior parallel thread with RVS reinforcing ring.

D x R	H	Z	E	€/ST/PC
20 x 1/2"	37.5	8.5	30	6.11
25 x 3/4"	40.0	8.0	39	7.72
32 x 1"	44.0	7.0	47	9.78
40 x 1 1/4"	49.0	8.0	55	11.77
50 x 1 1/2"	53.5	9.0	66	19.37
63 x 2"	62.0	9.0	83	24.43



MIM

SOKKEN
MANCHONS
SOCKETS

PN 10

Gespoten.

Injectés.

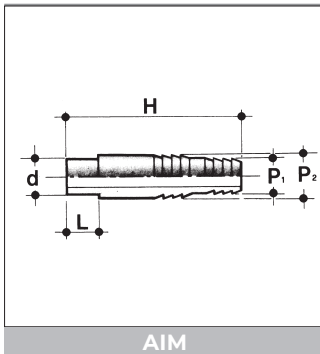
Moulded.

D	H	Z	E	€/ST/PC
20	36.5	7.5	27.5	3.18
25	40.0	8.0	33.5	3.60
32	44.5	8.5	42.0	4.13
40	48.5	7.5	52.0	4.94
50	55.5	8.2	63.0	9.39
63	64.0	9.0	77.5	14.31
75	72.0	10.0	91.0	19.95
90	81.0	10.0	109.0	28.44
110	93.0	10.0	132.0	44.67



moflasfittings
raccords pour le soudage dans l'emboîture
fittings for socket welding

PP



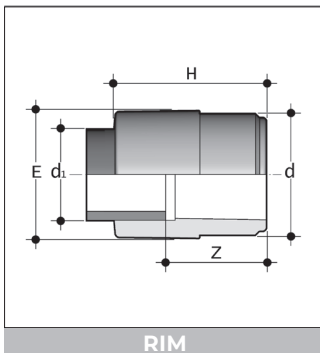
AIM

SLANGPILAREN
EMBOUTS CANNELES
HOSE ADAPTORS

PN 10

Gespoten, met uitwendig laseinde.
Injectés, un côté mâle à souder.
Moulded, with exterior welding end.

D x P1 x P2	L	H	€/ST/PC
20 x 20 x 22	16	67	4.63
25 x 25 x 27	18	81	5.92
32 x 32 x 30	20	95	7.15
40 x 40 x 42	22	104	12.40
50 x 50 x 52	25	111	15.47
63 x 60 x 64	29	122	17.75



RIM

VERLOOPSTUKKEN
REDUCTIONS
REDUCERS

PN 10

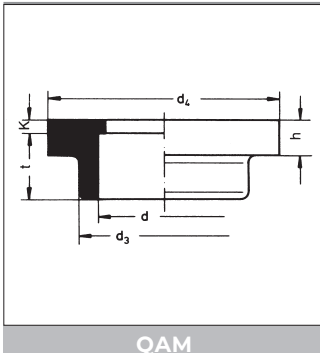
Gespoten, met in- en uitwendig laseinde.
Injectés, côté mâle et femelle à souder.
Moulded, with interior and exterior welding ends.

D x D1	H	Z	E	g	€/ST/PC
25 x 20	39.0	24.5	28.0	10	4.35
32 x 20	43.0	30.0	33.5	13	5.40
32 x 25	46.0	30.0	33.5	17	5.40
40 x 25	48.0	33.0	42.0	24	6.11
40 x 32	51.0	33.0	42.0	27	6.33
50 x 32	54.0	36.0	51.5	39	8.16
50 x 40	56.5	36.0	51.5	44	8.00
63 x 32	61.0	44.0	65.0	69	9.60
63 x 50	67.5	44.0	65.0	76	9.78
75 x 50	69.0	47.0	77.5	106	17.52
75 x 63	74.5	47.0	77.5	115	17.52
90 x 63	82.0	56.0	91.5	156	24.39
90 x 75	87.5	56.0	91.5	175	24.39
110 x 63	93.0	66.0	111.5	290	33.42
110 x 90	101.5	66.0	111.5	305	34.54



moflasfittings
raccords pour le soudage dans l'emboîture
fittings for socket welding

PP



QAM

KRAAGBUSSEN GEGROEFD
COLLETS A SURFACE RAINURÉE
STUBS WITH GROOVED SURFACE

PN 10

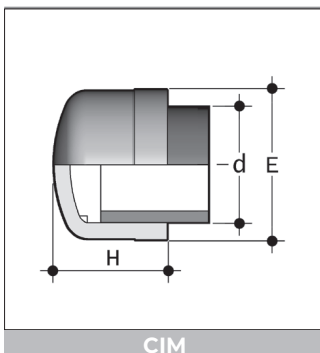
Gespoten
Injectés
Moulded

d	L	d3	d4	h	t	G/ST/PC	€/ST/PC
20	21	27.0	45	10.0	16	0.01	3.90
25	23	33.0	58	10.0	18	0.03	4.13
32	26	40.8	68	10.0	20	0.03	4.58
40	26	50.0	77	10.5	22	0.04	5.67
50	30	61.5	88	13.0	24	0.06	6.77
63	34	76.6	102	14.0	29	0.09	8.75
75	38	91.2	121	16.0	32	0.14	17.00
90	40	105.0	138	17.0	37	0.19	26.24
110	47	131.0	158	18.0	42	0.29	38.96

OVERSCHUIFFLENZEN MET STALEN KERN - PP-GFK
BRIDES LIBRES AVEC NOYAU EN ACIER - PP-GFK
BACKING FLANGES WITH STEEL INSERT - PP-GFK

PN 10

Materiaal: PP, versterkt met 30% glasvezel, met stalen kern. Zie hoofdstuk flenzen.
Matériau: PP, renforcé de 30% de fibres de verre, avec noyau en acier. Voir chapitre brides.
Material: PP +30% glassfibre, moulded with steel insert. See chapter flanges.



CIM

EINDKAPPEN
BOUCHONS FEMELLES
END CAPS

PN 10

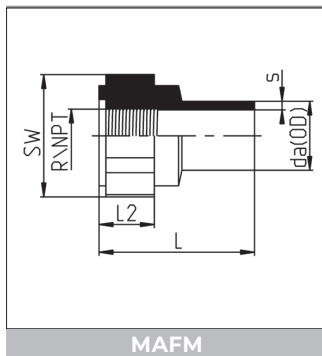
Gespoten.
Injectés.
Moulded.

D	L	E	€/ST/PC
20	24.5	27.5	4.13
25	27.0	33.5	4.13
32	31.5	42.0	5.12
40	35.5	51.0	6.11
50	41.0	63.0	8.59
63	44.0	77.5	11.10
75	48.0	91.0	20.30
90	65.0	109.0	23.47
110	71.0	132.0	32.47



moflasfittings
raccords pour le soudage dans l'emboîture
fittings for socket welding

PP



MAFM

OVERGANGSSTUKKEN
EMBOUTS D'ADAPTATION
ADAPTOR COUPLINGS

PN 10

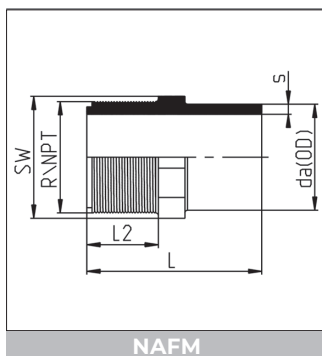
Gespoten, S-5/SDR 11.
Eén zijde binnendraad. GFK versterkt.
Alleen geschikt voor kunststof draadverbindingen.

Injectés, S-5/SDR 11.
Un côté femelle. Renforcé fibre de verre.
Uniquement pour des connection matières synthétiques.

Moulded, S-5/SDR 11.
One end female threaded. Glassfiber reinforced.
Only for plastic threaded connections.

d	dsp	L	L2	t	K	E	SW	R	KG/ST/PC	€/ST/PC
20	29.0	45.0	16.0	16.0	18.63	20.96	32	1/2"	0.018	7.29
25	35.0	50.5	18.0	18.0	24.12	26.44	41	3/4"	0.032	8.25
32	43.0	57.0	20.0	20.0	30.29	33.25	46	1"	0.045	10.85
40	52.5	62.5	22.0	22.0	38.95	41.91	55	1 1/4"	0.066	12.42
50	65.0	68.0	25.5	24.5	44.85	47.80	70	1 1/2"	0.124	19.48
63	81.0	74.0	30.0	29.5	56.66	59.61	85	2"	0.190	24.41

NPT : op aanvraag / sur demande / on request



NAFM

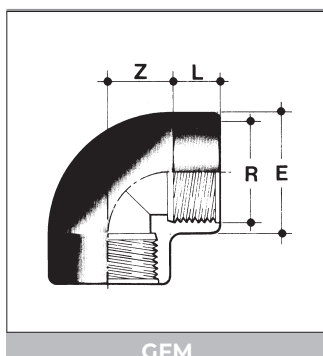
OVERGANGSSTUKKEN
EMBOUTS D'ADAPTATION
ADAPTOR COUPLINGS

PN 10

Gespoten. Draadaansluiting standaard met BS-draad, NPT-draad op aanvraag.
Injectés. Raccord fileté BS, filetage NPT sur demande.
Moulded. Standard thread, BS, NPT on request.

d	dsp	L	L2	t	K	E	SW	R	KG/ST/PC	€/ST/PC
20	25	51	20	15.0	24.12	26.44	27	3/4"	0.010	6.85
25	32	61	24	16.5	30.29	33.25	36	1"	0.024	8.69
32	40	66	27	18.6	38.95	41.91	46	1 1/4"	0.040	10.47
40	50	74	29	21.0	44.85	47.80	55	1 1/2"	0.062	17.13
50	63	78	31	24.0	56.66	59.61	65	2"	0.092	21.63

NPT : op aanvraag / sur demande / on request

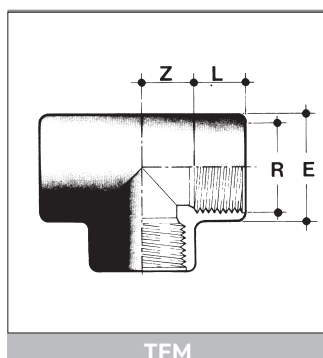


GFM

 KNEEEN 90°
 COUDES A 90°
 ELBOWS 90°

Beide zijden cilindrische binnendraad.
 Deux côtes femelles à filetage cylindrique.
 Both ends with interior parallel thread.

R	L	Z	E	€/ST/PC
3/8"	15.5	7.5	24.5	3.80
1/2"	16.5	11.0	29.5	5.16
3/4"	19.5	13.0	35.5	7.02
1"	20.0	18.5	43.0	8.52
1 1/4"	20.0	20.0	50.0	13.91
1 1/2"	26.0	26.0	61.0	21.59
2"	32.5	30.5	76.0	26.75

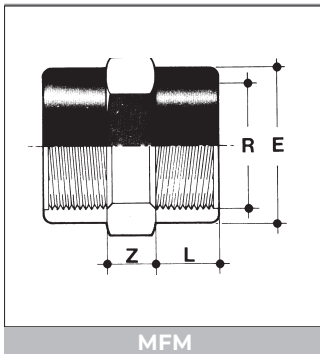


TFM

 T-STUKKEN 90°
 TES A 90°
 TEES 90°

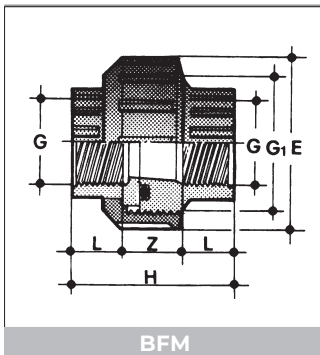
Alle zijden cilindrische binnendraad.
 Trois côtes femelles à filetage cylindrique.
 All ends with interior parallel thread.

R	L	Z	E	€/ST/PC
3/8"	14.5	8.5	24.5	5.07
1/2"	16.5	11.5	29.0	6.10
3/4"	19.5	13.0	35.5	7.52
1"	20.0	19.5	43.0	8.96
1 1/4"	23.0	21.0	57.0	15.84
1 1/2"	26.0	27.0	65.5	24.33
2"	30.5	33.0	80.5	29.43


 SOKKEN
 MANCHONS
 DOUBLE SOCKETS

Beide zijden cilindrische binnendraad.
 Deux côtes femelles à filetage cylindrique.
 Both ends with interior parallel thread.

R	L	Z	E	€/ST/PC
3/8"	15.0	3.0	24.0	4.28
1/2"	16.5	2.5	29.0	5.07
3/4"	19.0	4.0	35.0	5.96
1"	22.0	3.0	43.5	7.56
1 1/4"	23.0	7.0	57.0	10.76
1 1/2"	26.0	6.0	65.0	15.03
2"	29.5	7.0	80.5	21.47

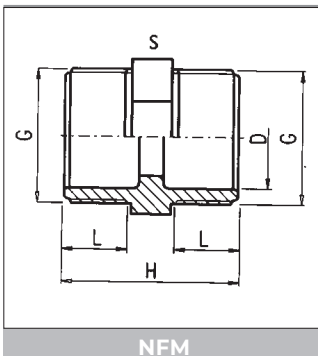

 DRIEDELIGE KOPPELINGEN
 RACCORDS UNION
 SOCKET UNIONS

Alle zijden cilindrische binnendraad.
 Afdichting: O-ring FPM.

Trois côtes femelles à filetage cylindrique.
 Etanchéité: joint torique FPM.

All ends with interior parallel thread.
 Sealing: O-ring FPM.

R	H	L	Z	E	€/ST/PC
1/2"	51.0	17.0	17.0	53.0	24.97
3/4"	56.0	18.0	20.0	62.0	27.04
1"	62.0	20.5	21.0	70.0	30.54
1 1/4"	68.5	22.5	23.5	81.0	41.43
1 1/2"	76.0	25.0	26.0	88.5	55.94
2"	85.0	29.0	27.0	104.5	76.39

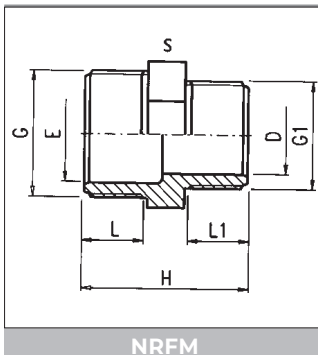


NFM

 DUBBELE NIPPELS
 MAMELONS DOUBLES
 BARREL NIPPLES

Beide zijden cilindrische buitendraad.
 Deux côtes mâle à filetage cylindrique.
 Both ends with exterior parallel threads.

R	L	D	H	S	€/ST/PC
3/8"	15.0	10.0	36.0	20	2.96
1/2"	15.5	13.5	38.0	24	3.33
3/4"	16.0	18.0	38.5	27	4.20
1"	18.5	23.5	43.5	36	5.37
1 1/4"	20.0	30.5	57.5	46	6.34
1 1/2"	20.0	35.0	57.5	54	7.79
2"	24.0	44.5	66.5	63	11.71

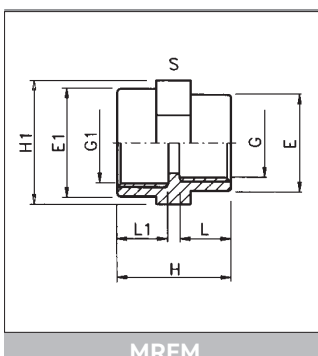


NRFM

 VERMINDERINGSNIPPELS
 MAMELONS DE REDUCTION
 REDUCING BARREL NIPPLES

Beide zijden cilindrische buitendraad.
 Deux côtes mâle à filetage cylindrique.
 Both ends with exterior parallel threads.

G x G1	L	L1	D	E	H	S	€/ST/PC
3/8" x 1/2"	15.5	15.0	10.0	13.5	37.0	24	4.00
1/2" x 3/4"	16.0	15.5	13.5	18.0	38.0	27	5.23
3/4" x 1"	18.0	16.0	17.5	24.0	40.0	36	6.79
1" x 1 1/4"	20.0	18.5	21.5	30.5	55.0	46	7.92
1" x 1 1/2"	20.0	18.5	21.5	35.5	56.0	54	8.96
1 1/4" x 1 1/2"	20.0	20.0	30.5	35.5	57.5	54	9.76
1 1/2" x 2"	24.0	20.5	35.5	44.5	61.5	64	14.41

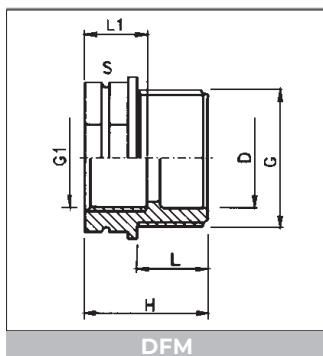


MRFM

 VERMINDERINGSMOFFEN
 MANCHONS DE REDUCTION
 REDUCING SOCKETS

Beide zijden cilindrische binnendraad.
 Deux côtes femelles à filetage cylindrique.
 Both ends with interior parallel threads.

G x G1	E	E1	L	L1	H1	H	S	€/ST/PC
3/4" x 1/2"	28.5	34.5	16	19.0	38.0	38	36	5.77
1" x 3/4"	35.0	42.0	19	23.5	45.5	46	44	7.56

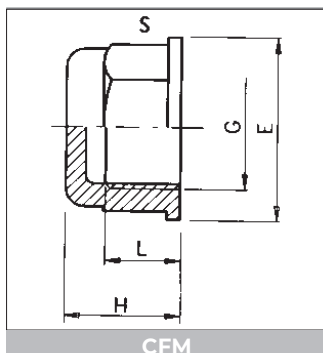


DFM

 VERMINDERINGSBUSSEN
 DOUILLES DE REDUCTION
 REDUCING BUSHES

Met cilindrische binnen- en buitendraad.
 Mâle et femelle à filetage cylindrique.
 Interior and exterior parallel threads.

G x G ₁	H	L	L1	S	€/ST/PC
3/8" x 1/4"	20	10	10	17	5.17
1/2" x 3/8"	26.5	16	15	25	5.17
3/4" x 1/2"	33.0	18.0	17	27	5.94
1" x 3/4"	35.0	19.5	19	36	8.10
1 1/4" x 1"	39.0	21.0	19	46	11.49
1 1/2" x 1 1/4"	39.0	21.0	21	50	16.11
2" x 1 1/2"	43.5	25.5	21	65	22.94

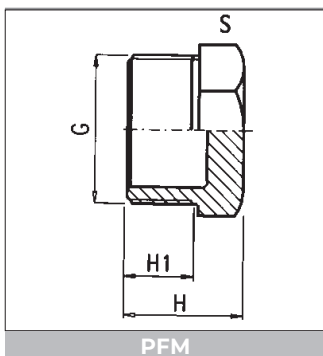


CFM

 AFSLUITKAPPEN
 BOUCHONS
 END CAPS

Met cilindrische binnendraad.
 Femelles à filetage cylindrique.
 Interior parallel threads.

G	E	L	H	S	€/ST/PC
3/8"	26.5	16.0	19.0	23	5.24
1/2"	32.0	16.0	20.5	28	6.22
3/4"	38.0	18.0	24.0	33	6.53
1"	45.0	18.0	25.0	40	7.52
1 1/4"	56.0	20.0	26.5	50	9.37
1 1/2"	63.0	23.0	30.0	57	10.81
2"	75.0	26.5	36.0	71	14.98

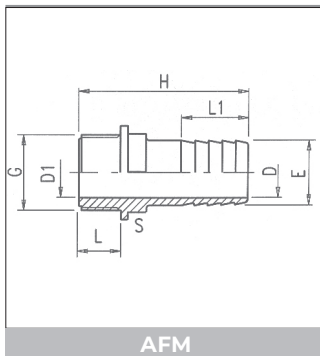


PFM

 DRAADSTOPPEN
 BOUCHONS MALE
 MALE PLUGS

Met cilindrische buitendraad.
 Mâle à filetage cylindrique.
 Exterior parallel threads.

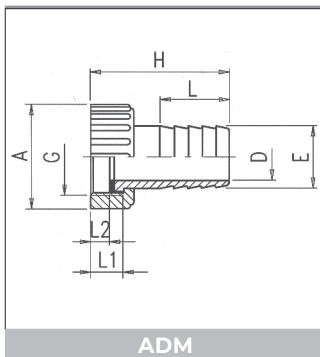
R	H	H1	S	€/ST/PC
3/8"	21.0	13.5	22	2.96
1/2"	22.5	14.0	27	3.33
3/4"	24.0	15.5	34	4.20
1"	25.0	15.5	40	5.37
1 1/4"	39.0	20.0	46	6.34
1 1/2"	39.0	20.0	55	7.79
2"	43.0	24.0	64	11.71



AFM

 SLANGPILAREN
 EMBOUTS CANNELES
 HOSE NOZZLES

G x E	L	L1	D	H	CH	DI	€/ST/PC
1/4" x 12	12.0	27	7.0	48.0	15	7.0	2.35
3/8" x 16	13.5	33	10.0	62.5	20	10.0	2.78
1/2" x 20	13.5	33	15.0	63.0	24	15.0	5.03
3/4" x 25	14.5	36	20.0	68.5	30	19.0	6.47
1" x 30	14.5	33	24.5	72.0	37	24.5	7.61
1 1/4" x 40	15.0	44	34.0	82.0	40	32.0	14.57
1 1/2" x 50	15.5	43	43.0	85.5	50	38.5	17.44
2" x 60	16.0	47	52.0	89.0	60	50.0	18.63



ADM

 SLANGPILAREN
 EMBOUTS CANNELES
 HOSE NOZZLES

Aansluiting met wartelmoer met cilindrische binnendraad.
 Afdichting : vlakke EPDM ring.

Raccordement par écrou femelle à filetage cylindrique.
 Etanchéité : joint plat EPDM.

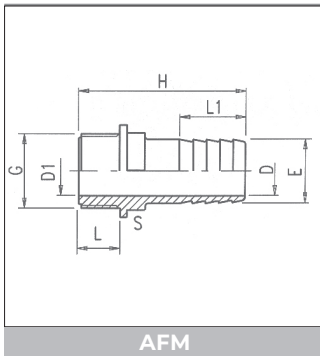
Connection with parallel threaded nut connection.
 Flat seal : EPDM.

G x E	L1	L2	L	D	H	A	€/ST/PC
3/8" x 12	15.0	9.0	28	7.5	47.0	23.0	8.55
1/2" x 16	16.0	10.0	33	10.0	61.0	27.5	11.22
3/4" x 20	17.0	11.0	33	15.0	62.0	33.0	12.03
1" x 25	18.5	12.0	37	19.5	68.0	40.5	14.57
1 1/4" x 30	18.5	11.5	33	24.5	72.0	51.0	18.63
1 1/2" x 40	19.0	12.0	44	33.5	81.5	57.0	29.37
2" x 50	19.0	12.5	43	43.5	84.5	69.5	37.64



draadfittingen - donkergrijs
raccords filetés - gris foncé
threaded fittings - dark grey

PP



KUNSTSTOF SLANGKOPPELINGEN
EMBOUTS CANNELES EN MATIERE PLASTIQUE
HOSE NOZZLES

PP slangpilaar met buitenschroefdraad. Alleen voor gebruik met water (H₂O)
Opmerking : ook verkrijgbaar in PA uitvoering.

Embout cannelé en PP à filetage extérieur. Uniquement pour l'eau (H₂O)
Remarque : également disponible en PA.

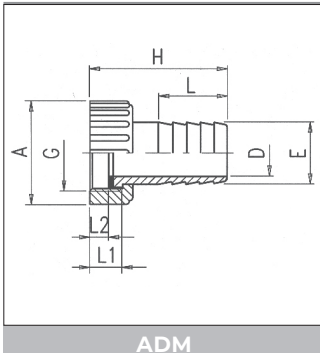
PP hose coupling with exterior thread. Only for use with water (H₂O)
Remark : also available in PA.

G x E	L	L1	D	H	S	DI	€/ST/PC
1/4" x 7	12.0	17.0	4.0	39.5	15	7.0	1.24
1/4" x 9	11.5	22.5	5.5	47.0		7.0	1.24
1/4" x 10	12.0	22.0	7.0	47.0		7.0	1.26
1/4" x 12	12.0	27.0	7.5	48.0	15	7.0	1.26
3/8" x 7	13.5	17.0	4.0	41.0	20	10.0	1.35
3/8" x 10	13.5	22.0	6.0	46.5	20	10.0	1.35
3/8" x 12	13.5	27.0	7.5	52.0	20	10.0	1.35
3/8" x 13	11.0	25.0	7.5	49.5		10.0	1.35
3/8" x 16	13.5	33.0	10.0	63.0	20	10.0	1.56
1/2" x 10	13.0	22.5	6.0	52.5		14.0	1.40
1/2" x 12	14.5	27.0	7.5	58.0		14.0	1.40
1/2" x 13	11.5	25.5	8.0	52.0	22	14.0	1.40
1/2" x 16	13.5	33.0	10.0	62.5	20	14.0	1.58
1/2" x 19	14.5	30.5	14.5	64.5		14.0	1.74
1/2" x 20	13.5	33.0	15.0	63.0	24	15.0	1.74
3/4" x 10	14.5	22.0	6.0	50.0	19	19.0	1.51
3/4" x 12	14.5	27.0	7.5	56.0	19	19.0	1.51
3/4" x 13	14.5	25.0	8.0	57.5	27	18.0	1.51
3/4" x 16	14.5	33.0	11.0	63.5	20	19.0	1.72
3/4" x 20	14.5	33.0	15.0	64.0	24	19.0	1.76
3/4" x 22	16.0	33.5	16.0	68.0		18.0	1.88
3/4" x 25	14.5	36.0	20.0	69.5	30	19.5	1.88
1" x 20	14.5	33.0	14.5	65.0	24	24.0	2.04
1" x 25	14.5	37.0	20.0	69.0	30	24.0	2.06
1" x 30	14.5	35.0	24.5	72.5	37	24.0	2.31
1" x 32	14.5	43.0	26.0	73.0	37	25.0	2.39
1 1/4" x 25	15.0	37.0	20.0	70.0	30	32.0	2.87
1 1/4" x 30	15.0	38.0	25.0	74.0	32	32.0	3.23
1 1/4" x 32	15.0	43.0	26.5	77.5	32	32.0	3.55
1 1/4" x 35	15.5	43.0	29.0	77.5	35	32.5	3.69
1 1/4" x 38	15.5	42.5	32.0	82.0	40	32.5	4.17
1 1/4" x 40	15.5	43.0	34.0	82.0	40	32.5	4.17
1 1/2" x 38	16.0	43.0	32.0	82.0	40	38.5	4.57
1 1/2" x 40	16.0	44.0	34.0	82.0	40	38.0	4.57
1 1/2" x 50	16.0	43.0	43.5	86.0	50	38.5	5.14
2" x 50	16.5	43.0	43.0	86.0	50	48.5	6.38
2" x 60	16.5	47.0	52.0	89.0	60	50.5	9.15



draadfittingen - donkergrijs
raccords filetés - gris foncé
threaded fittings - dark grey

PP



KUNSTSTOF SLANGKOPPELINGEN
EMBOUTS CANNELES EN MATIERES PLASTIQUES
HOSE NOZZLES

PP slangpilaar met binnenschroefdraad en losdraaiende wartel. Dichting EPDM
Alleen voor gebruik met water (H₂O)
Opmerking : ook verkrijgbaar in PA uitvoering.

Embout cannelé en PP à filetage intérieur et écrou libre. Joint en EPDM
Uniquement pour l'eau (H₂O)
Remarque : également disponible en PA.

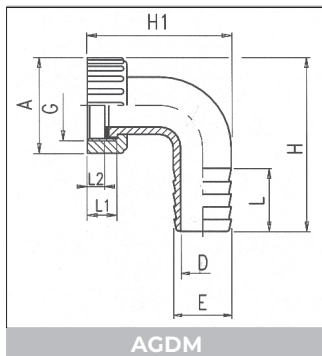
PP hose coupling with interior thread and free union nut. EPDM gasket
Only for use with water (H₂O)
Remark : also available in PA.

G x E	L ¹	L ²	L	D	H	A	€/ST/PC
1/4" x 7	13.5	8.5	12.0	4.0	38.0	20.0	2.13
3/8" x 9	15.0	9.5	22.0	5.0	47.0	23.0	2.34
3/8" x 10	15.0	10.0	22.0	6.0	45.0	23.0	2.34
3/8" x 12	15.0	9.5	27.0	7.5	47.5	23.0	2.34
1/2" x 10	10		28.0	8.0	50.0	28.0	2.64
1/2" x 13	16.0	9.5	28.5	8.5	52.0	27.5	2.64
1/2" x 16	16.0	9.5	33.0	10.0	61.5	27.5	2.78
3/4" x 10	17.0	11.5	22.0	6.0	47.0	33.0	2.82
3/4" x 12	17.0	11.0	27.0	7.5	53.5	33.0	2.82
3/4" x 13	17.0	11.5	28.0	8.5	53.0	33.0	2.82
3/4" x 16	17.0	11.0	33.0	10.0	62.5	33.0	2.86
3/4" x 19	17.0	11.0	33.0	14.5	62.5	33.0	3.02
3/4" x 20	17.0	10.5	33.0	14.5	63.5	33.0	3.02
1" x 19	11.5		32.5	14.5	57.0	42.5	3.28
1" x 20	18.0	11.5	33.0	14.5	65.0	41.5	3.28
1" x 22	18.0	11.5	37.0	16.5	69.0	41.5	3.28
1" x 25	18.0	12.0	36.0	20.0	69.0	41.5	3.33
1 1/4" x 20	19.0	11.0	33.0	14.5	65.0	51.0	4.08
1 1/4" x 25	19.0	11.5	36.0	20.0	69.0	51.0	4.09
1 1/4" x 30	19.0	11.5	35.0	24.5	72.5	51.0	4.65
1 1/4" x 32	19.0	12.0	43.0	26.0	73.0	51.0	4.65
1 1/2" x 38	12.0		43.0	32.0	81.0	57.0	5.98
1 1/2" x 40	19.0	12.0	43.0	33.5	82.0	57.0	5.89
2" x 50	18.5	11.5	43.0	43.0	84.0	71.0	7.88



draadfittingen - donkergrijs
raccords filetés - gris foncé
threaded fittings - dark grey

PP



KUNSTSTOF SLANGKOPPELINGEN
EMBOUTS CANNELES EN MATIERES PLASTIQUES
HOSE NOZZLES

Gebogen PP slangpilaar met binnenschroefdraad en losdraaiende wartel. Eveneens leverbaar met driedelige koppeling. Dichting in EPDM. Alleen voor gebruik met water (H₂O)

Opmerking : ook verkrijgbaar in PA uitvoering.

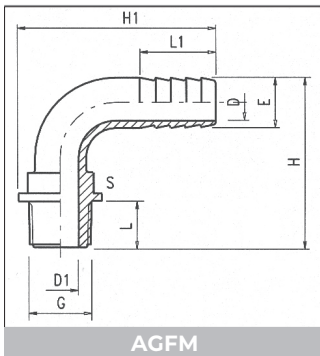
Embout cannelé courbé en PP à filetage intérieur et écrou libre. Aussi livrable avec raccord union. Joint en EPDM. Uniquement pour l'eau (H₂O).

Remarque : également disponible en PA.

Curved PP hose coupling with interior thread and free nut. Also available with socket union coupling. EPDM gasket. Only for use with water (H₂O)

Remark : also available in PA.

G x E	L ¹	L ²	L	D	H	H ¹	A	€/ST/PC
1/2" x 10		10.5	30	7.0	58	49	27.5	3.88
1/2" x 12	16.0	10.5	30	7.0	58	50	27.5	3.88
3/4" x 12	17.0	12.0	30	7.0	61	50	33.0	4.22
3/4" x 16	12.5	7.0	30	11.0	62	48	33.0	4.40
3/4" x 19		8.0	33	11.0	73	56	33.0	4.57
3/4" x 20	12.5	7.0	33	15.0	73	56	33.0	4.57
1" x 22	15.5	10.0	30	17.0	81	60	40.5	5.21
1" x 25	15.5	10.0	30	19.5	82	61	40.5	5.21
1 1/4" x 25	19.0	12.0	30	19.5	87	64	51.0	5.98
1 1/4" x 30	19.0	11.5	28	24.5	94	72	51.0	6.39
1 1/4" x 32	19.0	11.5	32	24.5	94	73	51.0	6.53
1 1/2" x 38		11.5	35	33.0	106	90	57.5	5.73
1 1/2" x 40	19.0	11.5	35	33.0	103	95	57.0	9.56
2" x 50	18.5	12.0	35	42.0	120	97	71.0	12.50


 KUNSTSTOF SLANGKOPPELINGEN
 EMBOUTS CANNELES EN MATIERES PLASTIQUES
 HOSE NOZZLES

Gebogen PP slangpilaar met buitenschroefdraad. Alleen voor gebruik met water (H₂O)
Opmerking : ook verkrijgbaar in PA uitvoering.

Embout cannelé courbé en PP à filetage extérieur. Uniquement pour l'eau (H₂O).
Remarque : également disponible en PA.

Curved PP hose coupling with exterior thread. Only for use with water (H₂O)
Remark : also available in PA.

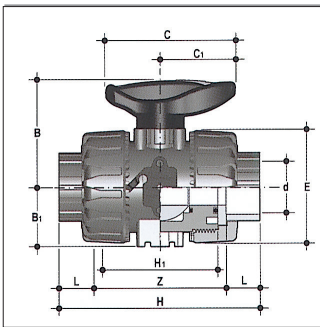
G x E	L ₁	L	D	H	H ₁	S	D ₁	€/ST/PC
3/8" x 10								2.43
3/8" x 12	12.5	30	7.0	43.0	55	15	10.0	2.43
3/8" x 13								2.43
1/2" x 12	13.5	30	7.0	44.0	57	19	14.0	2.59
1/2" x 13	13.5	30	7.0	44.5	57	19	14.0	2.59
1/2" x 16	13.5	30	11.0	47.0	57	19	14.0	2.78
1/2" x 20	13.5	33	15.0	61.0	70	24	15.5	3.02
1/4" x 10								2.27
1/4" x 12								2.27
3/4" x 12	14.5	30	7.0	45.0	60	19	19.0	2.78
3/4" x 20	14.5	33	15.0	64.0	72	24	19.0	2.98
3/4" x 22	14.5	30	17.0	62.0	78	30	20.0	3.55
3/4" x 25	14.5	30	19.5	64.0	78	30	20.0	3.55
1" x 22	14.5	30	17.0	65.0	80	30	21.0	3.57
1" x 25	14.5	30	19.5	66.0	81	30	19.5	3.57
1" x 30	14.5	28	24.5	68.0	87	37	24.5	4.36
1" x 32	14.5	32	24.5	69.0	87	37	24.5	4.57
1 1/4" x 30	15.5	28	24.5	73.0	91	32	32.5	4.65
1 1/4" x 32	15.5	32	24.5	74.0	91	32	32.5	4.75
1 1/4" x 38								5.21
1 1/2" x 38								5.53
1 1/2" x 40	15.0	35	33.0	85.0	102	40	38.5	5.53



kranen
vannes
valves

DUAL BLOCK®

PP



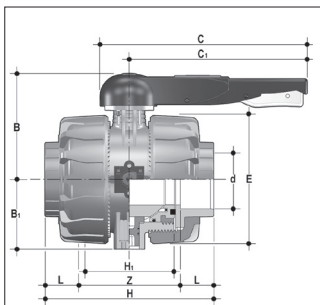
VKDIM DN 10-50

KOGELKRANEN
VANNES A BILLE
BALL VALVES

2-Wegkogelafsluiter, Dual Block® met metrische Inwendige lasuiteinden.
Zittingen PTFE/EPDM, PTFE/FPM.

Robinets à bille Dual Block® tournant sphérique à 2 voies. Avec bouts femelles à souder.
Sièges PTFE/EPDM, PTFE/FPM.

2-Way ball valve Dual Block® with lockable nuts, metric series plain female ends for welding sockets.. Seats PTFE/EPDM, PTFE/FPM.



VKDIM DN 65-100

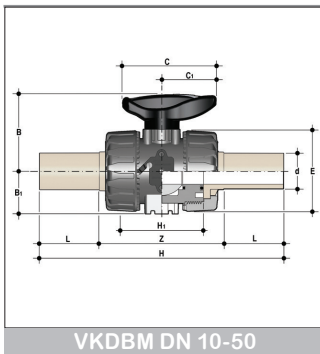
D	DN	Z	H	H1	E	B	B1	C	C1	PN	G/ST/PC	€/ST/PC	
												EPDM	FPM
16	10	74.5	102	65	54	54.0	29.0	67	40	10	150	57.69	71.72
20	15	73.0	102	65	54	54.0	29.0	67	40	10	145	59.45	71.72
25	20	82.0	114	70	65	65.0	34.5	85	49	10	218	70.15	83.12
32	25	90.0	126	78	73	69.5	39.0	85	49	10	298	86.67	106.01
40	32	100.0	141	85	86	82.5	46.0	108	64	10	480	107.43	129.00
50	40	117.0	164	93	98	89.0	52.0	108	64	10	682	139.00	163.97
63	50	144.0	199	111	122	108.0	62.0	134	76	10	1166	173.28	219.14
75	65	147.0	213	133	162	164.0	87.0	327	272	10	3090	379.92	479.01
90	80	168.0	239	149	202	177.0	105.0	327	272	10	5080	477.54	602.15
110	100	186.0	268	167	236	195.0	129.0	385	330	10	7725	578.18	702.73



kranen
vannes
BLOCK®

DUAL

PP



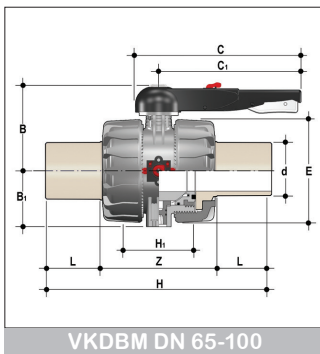
VKDBM DN 10-50

KOGELKRANEN
VANNES A BILLE
BALL VALVES

2-Wegkogelafsluiter, Dual Block® met verlengde mannelijke laseinden PP-H SDR11 voor spiegellass, (bvb. IR las) of electromoflas.
Zittingen PTFE/EPDM, PTFE/FPM.

Robinets à bille Dual Block® tournant sphérique à 2 voies. Embouts mâles longues PP-H SDR11 pour soudage bout à bout (p.e. soudage IR) ou électrosoudage.
Sièges PTFE/EPDM, PTFE/FPM.

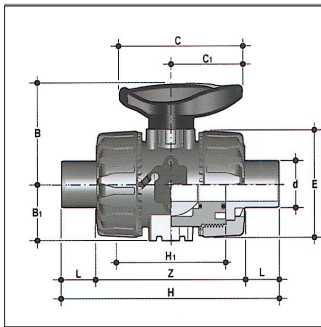
2-Way ball valve Dual Block® with lockable nuts, with long spigot male ends PP-H SDR11 for butt welding (e.g. IR welding) or electrofusion welding.
Seats PTFE/EPDM, PTFE/FPM.



VKDBM DN 65-100

D	DN	Z	H	H1	E	B	B1	C	C1	L	PN	G/ST/PC	€/ST/PC	
													EPDM	FPM
20	15	94	175	65	54	54	29	67	40	40.5	10	220	73.27	87.55
25	20	106	212	70	65	65	35	85	49	54.0	10	340	85.98	102.74
32	25	117	226	78	73	70	39	85	49	56.0	10	443	104.33	128.88
40	32	131	246	88	86	83	46	108	64	56.0	10	593	130.49	159.17
50	40	145	271	93	98	89	52	108	64	60.5	10	945	168.76	200.59
63	50	161	300	111	122	108	62	134	76	65.5	10	1607	210.12	268.95
75	65	214	356	133	162	164	87	225	175	71.0	10	3150	484.22	599.19
90	80	214	390	149	202	177	105	327	272	88.0	10	5240	609.59	754.09
110	100	247	431	167	236	195	129	385	330	92.0	10	7970	736.64	881.14

FIP kranen vannes valves **DUAL BLOCK®** **PP**



VKDDM DN 15-50

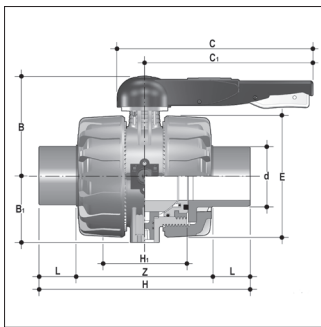
KOGELKRANEN
VANNES A BILLE
BALL VALVES

2-Wegkogelafsluiter, Dual Block® met metrische mannelijke lasuiteinden.
Zittingen PTFE/EPDM, PTFE/FPM.

Robinets à bille Dual Block® tournant sphérique à 2 voies. Avec embouts mâles à souder.
Sièges PTFE/EPDM, PTFE/FPM.

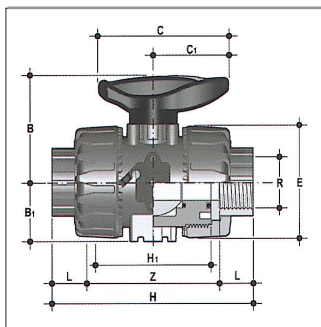
2-Way ball valve Dual Block® with lockable nuts, metric series plain male ends for welding sockets.

Seats PTFE/EPDM, PTFE/FPM.



VKDDM DN 65-100

D	DN	L	H	H1	E	B	B1	C	C1	PN	G/ST/PC	€/ST/PC	
												EPDM	FPM
20	15	16	124	65	54	54.0	29.0	67	40	10	153	59.45	69.63
25	20	19	144	70	65	65.0	34.5	85	49	10	222	68.12	80.72
32	25	22	154	78	73	69.5	39.0	85	49	10	303	84.16	102.92
40	32	26	174	88	86	82.5	46.0	108	64	10	485	104.31	125.23
50	40	31	194	93	98	89.0	52.0	108	64	10	672	134.96	159.18
63	50	38	224	111	122	108.0	62.0	134	76	10	1176	168.25	213.14
75	65	44	284	133	162	164.0	87.0	327	272	10	3190	379.92	479.01
90	80	51	300	149	202	177.0	105.0	327	272	10	5280	477.54	602.15
110	100	61	340	167	236	195.0	129.0	385	330	10	8010	578.13	702.73



VKDFM

KOGELKRANEN
VANNES A BILLE
BALL VALVES

2-Wegkogelafsluiter, Dual Block® met vrouwelijke BS draadaansluitingen. NPT op aanvraag.
Zittingen PTFE/EPDM, PTFE/FPM

Robinets à bille Dual Block® avec embouts femelles taraudés BS. NPT sur demande
Sièges PTFE/EPDM, PTFE/FPM.

2-Way ball valve Dual Block® with BS parallel threaded female ends. NPT on request.
Seats PTFE/EPDM, PTFE/FPM

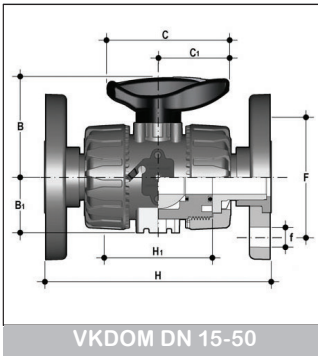
R	DN	L	Z	H	H1	E	B	B1	C	C1	PN	G/ST/PC	€/ST/PC	
													EPDM	FPM
1/2"	15	15.0	80.0	110	65	54	54.0	29.0	67	40	10	145	68.12	80.71
3/4"	20	16.3	83.4	116	70	65	65.0	34.5	85	49	10	220	78.77	89.74
1"	25	19.1	95.8	134	78	73	69.5	39.0	85	49	10	298	108.53	122.36
1 1/4"	32	21.4	110.2	153	88	86	82.5	46.0	108	64	10	488	115.38	139.08
1 1/2"	40	21.4	113.2	156	93	98	89.0	52.0	108	64	10	682	148.79	173.83
2"	50	25.7	134.6	186	111	122	108.0	62.0	134	76	10	1181	190.63	236.45



kranen
vannes
valves

DUAL BLOCK®

PP

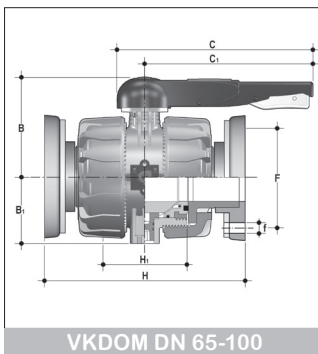


KOGELKRANEN
VANNES A BILLE
BALL VALVES

2-Wegkogelafsluiter, Dual Block® met DIN 8063, DIN 2501 vaste flenzen.
Inbouwlengte volgens EN 558-1.

Robinets à bille Dual Block® avec brides fixes DIN 8063, DIN 2501.
Encombrement selon EN 558-1.

2-Way ball valve Dual Block® with DIN 8063, DIN 2501 fixed backing rings.
Face to face according EN 558-1.



D	DN	H	H1	B	B1	C	C1	F	f	U	PN	G/ST/PC	€/ST/PC	
													EPDM	FPM
20	15	130	65	54.0	29.0	67	40	65	14	4	10	387	116.39	134.46
25	20	150	70	65.0	34.5	85	49	75	14	4	10	504	136.76	154.81
32	25	160	78	69.5	39.0	85	49	85	14	4	10	697	176.08	197.78
40	32	180	88	82.5	46.0	108	64	100	18	4	10	1075	223.10	251.87
50	40	200	93	89.0	52.0	108	64	110	18	4	10	1346	264.63	334.78
63	50	230	111	108.0	62.0	134	76	125	18	4	10	2060	339.42	378.40
75	65	290	133	164.0	87.0	327	272	145	17	4	10	4500	519.90	620.40
90	80	310	149	177.0	105.0	327	272	160	17	8	10	6455	653.53	779.78
110	100	350	167	195.0	129.0	385	330	180	17	8	10	9090	791.19	932.19

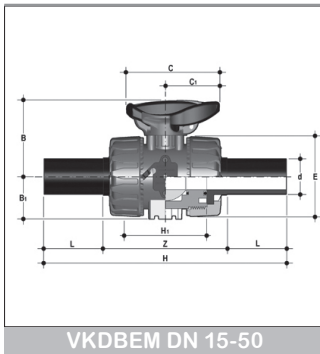
Aansluiting volgens ANSI op aanvraag.
Raccordement selon ANSI sur demande.
Connection acc. to ANSI on request.



kranen
vannes
valves

DUAL BLOCK®

PP

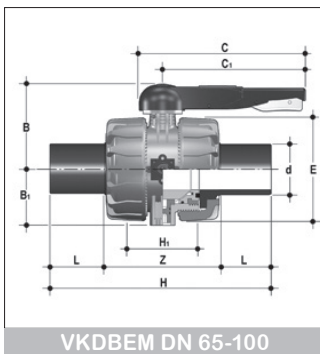


KOGELKRANEN
VANNES A BILLE
BALL VALVES

2-Wegkogelafsluiter, Dual Block® met mannelijke lasuiteinden PE-HD
Zittingen PTFE/EPDM, PTFE/FPM.

Robinets à bille Dual Block® tournant sphérique à 2 voies. Avec embouts mâles à souder en PE-HD. Sièges PTFE/EPDM, PTFE/FPM.

2-Way ball valve Dual Block® with male ends for welding sockets on PE-HD
Seats PTFE/EPDM, PTFE/FPM.



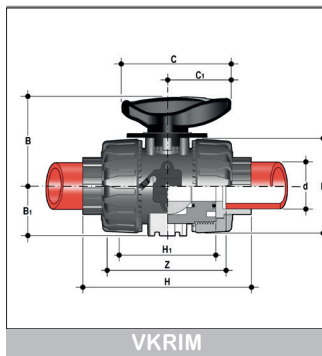
D	DN	L	H	H1	E	B	B1	C	C1	PN	G/ST/PC	€/ST/PC	
												EPDM	FPM
20	15	41	174	65	54	54.0	29.0	67	40	10	153	64.01	76.45
25	20	52	209	70	65	65.0	34.5	85	49	10	222	75.18	89.74
32	25	55	221	78	73	69.5	39.0	85	49	10	303	91.13	112.61
40	32	56	241	88	86	82.5	46.0	108	64	10	485	114.11	139.08
50	40	58	260	93	98	89.0	52.0	108	64	10	672	150.55	175.21
63	50	66	293	111	122	108.0	62.0	134	76	10	1176	183.57	234.96
75	65	71	356	133	162	164	87	327	272	10	3190	421.43	521.46
90	80	88	390	149	202	177	105	327	272	10	5280	525.61	656.31
110	100	92	431	167	236	195	129	385	330	10	8010	635.14	759.68



kranen
vannes
valves

DUAL BLOCK®

PP



VKRIM

2 WEG KOGELKRANEN VOOR LINEAIRE DEBIETREGELING
VANNES A BILLE A 3 VOIES POUR REGULATION LINEAIRE DU DEBIT
2 WAY BALL VALVES FOR LINEAR FLOW CONTROL

Vrouwelijke lasmof.

Volledig uitwisselbaar met kogelkransen type VK Dual Block®.

Bereik: 0-90° / monodirectioneel. Met schaalverdeling per 5°

Op aanvraag: elektrisch met posi 4-20mA / pneumatisch met klepstandsteller 4-20mA.

Bouts femelles à souder.

Complètement interchangeable avec les robinets à bille VK Dual Block®.

Portée: 0-90° / mono directionnel. Graduation visuelle par 5°.

Sur demande: actuateur électrique avec Posi 4-20mA / actuateur pneumatique avec positionneur 4-20mA.

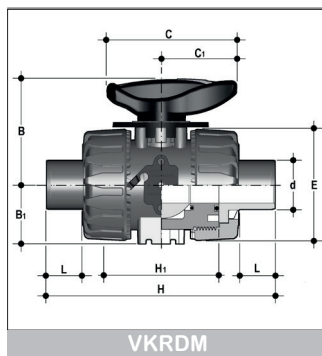
Spigots for socket welding.

Complete interchangeability with VK Dual Block® series.

Range of use: 0-90° / unidirectional flow. Accuracy of the reading position 5°.

On request: electric actuator with Posi card 4-20mA / pneumatic actuator with positioner 4-20mA.

D	DN	PN	B	B ₁	C	C ₁	E	H ₁	L	Z	H	G/ST/PC	€/ST/PC	
													EPDM	FPM
16	10	10	54.0	29.0	67	40	54	65	14.0	74.5	102	150	196.00	205.96
20	15	10	54.0	29.0	67	40	54	65	14.5	73.0	102	145	196.16	206.02
25	20	10	65.0	34.5	85	49	65	70	16.0	82.0	114	218	217.37	227.82
32	25	10	69.5	39.0	85	49	73	78	18.0	90.0	126	298	256.22	271.85
40	32	10	82.5	46.0	108	64	86	88	20.5	100.0	141	480	287.09	304.55
50	40	10	89.0	52.0	108	64	98	93	23.5	117.0	164	682	356.33	376.53
63	50	10	108.0	62.0	134	76	122	111	27.5	144.0	199	1166	379.22	416.30



VKRDM

2 WEG KOGELKRANEN VOOR LINEAIRE DEBIETREGELING
VANNES A BILLE A 3 VOIES POUR REGULATION LINEAIRE DU DEBIT
2 WAY BALL VALVES FOR LINEAR FLOW CONTROL

Mannelijke lasmof.

Volledig uitwisselbaar met kogelkransen type VK Dual Block®.

Bereik: 0-90° / monodirectioneel. Met schaalverdeling per 5°

Op aanvraag: elektrisch met posi 4-20mA / pneumatisch met klepstandsteller 4-20mA.

Bouts mâles à souder.

Complètement interchangeable avec les robinets à bille VK Dual Block®.

Portée: 0-90° / mono directionnel. Graduation visuelle par 5°.

Sur demande: actuateur électrique avec Posi 4-20mA / actuateur pneumatique avec positionneur 4-20mA.

Spigots for socket welding.

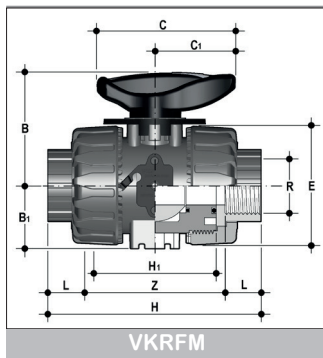
Complete interchangeability with VK Dual Block® series.

Range of use: 0-90° / unidirectional flow. Accuracy of the reading position 5°.

On request: electric actuator with Posi card 4-20mA / pneumatic actuator with positioner 4-20mA.

D	DN	PN	B	B ₁	C	C ₁	E	H ₁	H	L	G/ST/PC	€/ST/PC	
												EPDM	FPM
16	10	10	54.0	29.0	67	40	54	-	-	-	-	196.00	205.96
20	15	10	54.0	29.0	67	40	54	65	124	16	153	196.16	206.02
25	20	10	65.0	34.5	85	49	65	70	144	18	222	217.37	227.82
32	25	10	69.5	39.0	85	49	73	78	154	20	303	256.22	271.85
40	32	10	82.5	46.0	108	64	86	88	174	22	485	287.09	304.55
50	40	10	89.0	52.0	108	64	98	93	194	23	672	356.33	376.53
63	50	10	108.0	62.0	134	76	122	111	224	29	1176	379.22	416.30

FIP kranen vannes valves **DUAL BLOCK®** **PP**



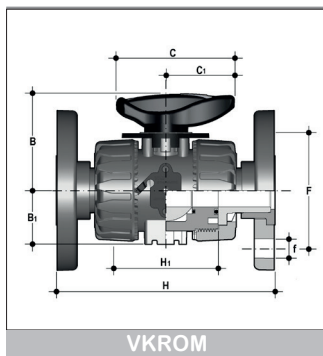
2 WEG KOGELKRANEN VOOR LINEAIRE DEBIETREGELING
VANNES A BILLE A 3 VOIES POUR REGULATION LINEAIRE DU DEBIT
2 WAY BALL VALVES FOR LINEAR FLOW CONTROL

Inwendige draadaansluiting BS.
 Volledig uitwisselbaar met kogelkransen type VK Dual Block.
 Bereik: 0-90° / monodirectioneel. Met schaalverdeling per 5°
 Op aanvraag: elektrisch met posi 4-20mA / pneumatisch met klepstandsteller 4-20mA.

Bouts femelles filletés BS.
 Complètement interchangeable avec les robinets à bille VK Dual Block.
 Portée: 0-90° / mono directionnel. Graduation visuelle par 5°.
 Sur demande: actuateur électrique avec Posi 4-20mA / actuateur pneumatique avec positionneur 4-20mA.

BS parallel treaded sockets.
 Complete interchangeability with VK Dual Block series.
 Range of use: 0-90° / unidirectional flow. Accuracy of the reading position 5°.
 On request: electric actuator with Posi card 4-20mA / pneumatic actuator with positioner 4-20mA.

R	DN	PN	B	B'	C	C'	E	H	H'	L	Z	G/ST/PC	€/ST/PC	
													EPDM	FPM
3/8"	10	10	54.0	29.0	67	40	54	103	65	-	-	-	204.81	215.26
1/2"	15	10	54.0	29.0	67	40	54	110	65	15	80	145	204.81	215.26
3/4"	20	10	65.0	34.5	85	49	65	116	70	16	83	220	224.30	235.32
1"	25	10	69.5	39.0	85	49	73	134	78	19	96	298	276.47	288.03
1 1/4"	32	10	82.5	46.0	108	64	86	153	88	21	110	488	296.35	316.05
1 1/2"	40	10	89.0	52.0	108	64	98	156	93	21	113	682	367.83	388.68
2"	50	10	108.0	62.0	134	76	122	186	111	26	135	1181	397.82	436.03



2 WEG KOGELKRANEN VOOR LINEAIRE DEBIETREGELING
VANNES A BILLE A 3 VOIES POUR REGULATION LINEAIRE DU DEBIT
2 WAY BALL VALVES FOR LINEAR FLOW CONTROL

Volledig uitwisselbaar met kogelkransen type VK Dual Block® met DIN 8063, DIN 2501 vaste flenzen. Inbouwlengthe volgens EN 558-1.
 Bereik: 0-90° / monodirectioneel. Met schaalverdeling per 5°
 Op aanvraag: elektrisch met posi 4-20mA / pneumatisch met klepstandsteller 4-20mA.

Complètement interchangeable avec les robinets à bille VK Dual Block® avec brides fixes DIN 8063, DIN 2501. Encombrement selon EN 558-1.
 Portée: 0-90° / mono directionnel. Graduation visuelle par 5°.
 Sur demande: actuateur électrique avec Posi 4-20mA / actuateur pneumatique avec positionneur 4-20mA.

Complete interchangeability with VK Dual Block® with DIN 8063, DIN 2501 fixed backing rings.
 Face to face according EN 558-1.
 Range of use: 0-90° / unidirectional flow. Accuracy of the reading position 5°.
 On request: electric actuator with Posi card 4-20mA / pneumatic actuator with positioner 4-20mA.

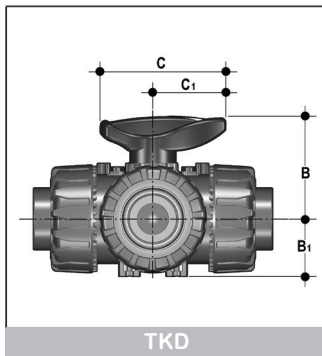
D	DN	PN	B	B'	C	C'	F	H	H'	U	f	Sp	G/ST/PC	€/ST/PC	
														EPDM	FPM
20	15	10	54.0	29.0	67	40	65	130	65	4	14	11	387	244.94	259.93
25	20	10	65.0	34.5	85	49	75	150	70	4	14	14	504	274.40	289.48
32	25	10	69.5	39.0	85	49	85	160	78	4	14	14	697	328.47	350.77
40	32	10	82.5	46.0	108	64	100	180	88	4	18	14	1075	385.98	409.89
50	40	10	89.0	52.0	108	64	110	200	93	4	18	16	1346	464.23	481.56
63	50	10	108.0	62.0	134	76	125	230	111	4	18	16	2060	510.79	554.10



kranen
vannes
valves

DUAL BLOCK®

PP



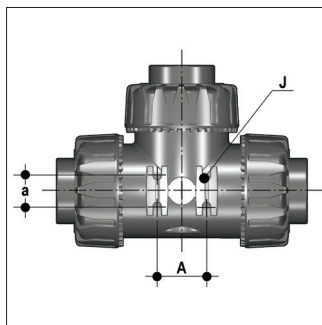
TKD

3 WEG KOGELKRANEN
VANNES A BILLE A 3 VOIES
3 WAY BALL VALVES

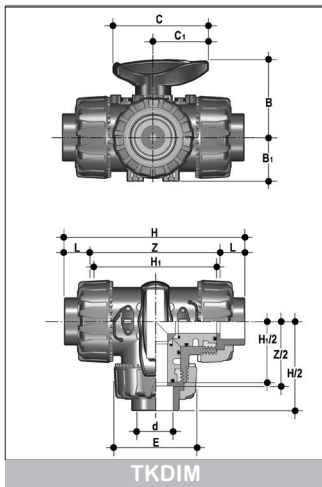
Radiaal demonteerbaar PN 16.
Demontage in stroomafwaartse richting mogelijk met de afsluiter in de gesloten stand.

Démontable radialement PN 16.
Démontage du raccord possible en direction aval, avec la vanne en position fermée.

Radial disassembling PN 16.
Option of dismounting downstream pipes with the valve in closed position.



D	DN	B	B ₁	C	C ₁	a	A	J
20	15	54	29	67	40	20	31	M5
25	20	65	35	85	49	20	31	M5
32	25	70	39	85	49	20	31	M5
40	32	83	46	108	64	30	50	M6
50	40	89	52	108	64	30	50	M6
63	50	108	62	134	76	30	50	M6



TKDIM

3 WEG KOGELKRANEN
VANNES A BILLE A 3 VOIES
3 WAY BALL VALVES

PN 10

Moflusaansluiting, T-boring
Bouts femelles à souder, perçage-T
Welding sockets, T-bore

d	DN	E	H	H ₁	Z	G/ST/PC	€/ST/PC	
							EPDM	FPM
20	15	54	117	80	88	195	134.80	156.92
25	20	65	144	100	112	350	156.35	179.44
32	25	73	158	110	122	505	200.57	230.24
40	32	86	184	131	143	820	229.41	266.33
50	40	98	219	148	172	1070	273.18	333.88
63	50	122	267	179	212	1795	345.48	420.32

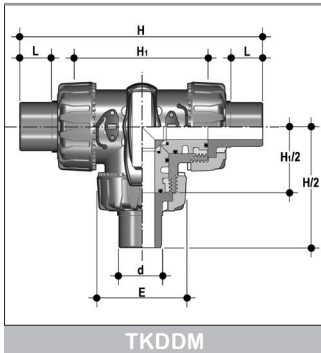
L-boring: prijzen + 17%
Perçage L: prix + 17%
L-bore: prices + 17%



kranen
vannes
valves

DUAL BLOCK®

PP



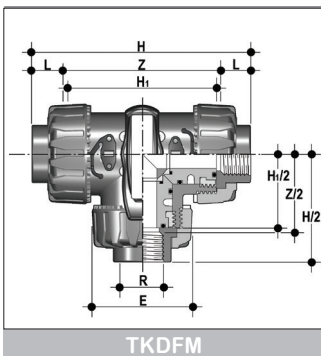
3 WEG KOGELKRANEN
VANNES A BILLE A 3 VOIES
3 WAY BALL VALVES

PN 10

Mannelijke lasmof, T-boring
Bouts mâles à souder, perçage-T
Spigots for socket welding, T-bore

d	DN	E	H	H1	L	G/ST/PC	€/ST/PC	
							EPDM	FPM
20	15	54	140	80	16	205	154.81	172.93
25	20	65	175	100	19	360	174.33	197.74
32	25	73	188	110	22	515	223.64	253.80
40	32	86	220	131	26	835	255.79	296.99
50	40	98	251	148	31	1100	304.64	372.33
63	50	122	294	179	38	1830	385.26	470.86

L-boring: prijzen + 17%
Perçage L: prix + 17%
L-bore: prices + 17%



3 WEG KOGELKRANEN
VANNES A BILLE A 3 VOIES
3 WAY BALL VALVES

PN 10

Inwendige draadaansluiting, BS, T-boring.
Bouts femelles filetés, BS, perçage-T.
BS parallel threaded sockets, BS, T-bore.

d	DN	E	H	H1	L	Z	g	€/ST/PC	
								EPDM	FPM
1/2"	15	55	125.0	80	15.0	95	235	151.62	169.41
3/4"	20	66	146.0	100	16.3	114	400	170.81	193.72
1"	25	75	166.0	110	19.1	129	565	219.08	248.59
1 1/4"	32	87	195.5	131	21.4	151	895	250.59	290.97
1 1/2"	40	100	211.0	148	21.4	166	1160	298.40	364.72
2"	50	122	253.5	179	25.7	199	1945	377.40	461.25

L-boring: prijzen + 17%
Perçage L: prix + 17%
L-bore: prices + 17%



VLINDERKLEPPEN -	HANDBEDIEND	FKOM
VANNES PAPILLON -	AVEC POIGNEE	FKOM
BUTTERFLY VALVES -	HAND OPERATED	FKOM

Afmetingen / dimensions / overall dimensions:

ISO 5752 (DN 40-200 medium seri 25, DN 250-3000 long serie 16)
DIN 3202 (DN 65-200 K2, DN 250-300 K3)

Materialen / matériaux / materials:

Lichaam / corps / body: PP-GR
Klepblad / papillon / disc: PP-H
Axe / axe / stem: RVS AISI 420 (AISI 316 op aanvraag / sur demande / on request)
Zitting / siège / liner: FPM (EPDM, NBR op aanvraag / sur demande / on request)

Wafer type:

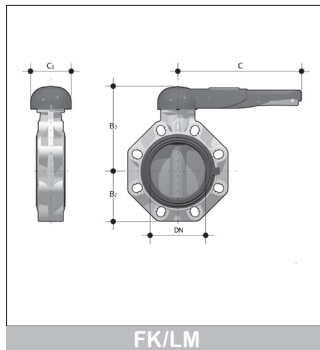
Tussen flenzen / entre brides / between flanges:
EN ISO 1452, EN ISO 15493, DIN 2501, ISO 7005-1, EN 1092-1, ASTM B16.5 Cl. 150

Opmerking / remarque / remark:

Alvorens vlinderkleppen te monteren, is het aan te raden eerst de binnendiameter van de kragen te controleren. Bij bepaalde diameters kan een aanpassing van de kragen noodzakelijk zijn.

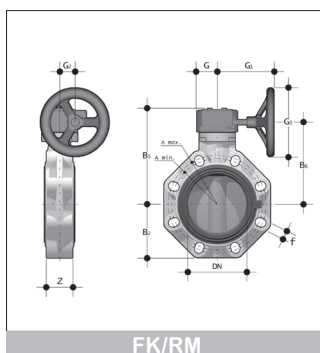
Avant d'effectuer l'installation de vannes papillons, il est conseillé de vérifier le diamètre intérieur des collets. En certains cas, il est nécessaire de chamfreiner.

Before installing butterfly valves, it is advisable to check the internal diameter of the stubs. For certain dimensions, it is necessary to chamfer the stubs.



FK/LM

d	DN	PN	B ²	B ³	C	C ¹	Z	G	U	€/ST/PC	
										ST/PC	EPDM
50	40	10	60	137	175	100	33	900	4	250.88	370.46
63	50	10	70	143	175	100	43	1080	4	265.65	396.00
75	65	10	80	164	272	110	46	1470	4	295.18	440.04
90	80	10	93	178	272	110	49	1870	8	310.37	461.96
110	100	10	107	192	272	110	56	2220	8	337.04	493.81
140	125	10	120	212	330	110	64	3100	8	447.43	645.48
160	150	10	134	225	330	110	70	3850	8	483.69	688.91
225	200	10	161	272	420	122	71	6750	8	626.49	893.99



FK/RM

d	DN	PN	B ²	B ⁵	B ⁶	G	G ¹	G ²	G ³	Z	G	U	€/ST/PC	
													ST/PC	EPDM
75	65	10	80	174	146	48	135	39	125	46	2400	4	677.88	845.17
90	80	10	93	188	160	48	135	39	125	49	2800	8	693.12	856.41
110	100	10	107	202	174	48	135	39	125	56	3150	8	719.74	888.86
140	125	10	120	222	194	48	144	39	200	64	4450	8	798.27	1039.74
160	150	10	134	235	207	48	144	39	200	70	5200	8	866.36	1089.13
225	200	10	161	287	256	65	204	60	200	71	9300	8	1095.81	1385.64
280	250	10	210	317	281	88	236	76	250	114	18600	12	2068.11	3305.04
315	300	8	245	374	338	88	236	76	250	114	25600	12	2230.92	3600.27
355	350	7	280	438	390	88	361	80	300	129	-	16	5116.97	5684.60
400	400	6	306	438	390	88	361	80	300	169	-	16	5762.95	7123.19

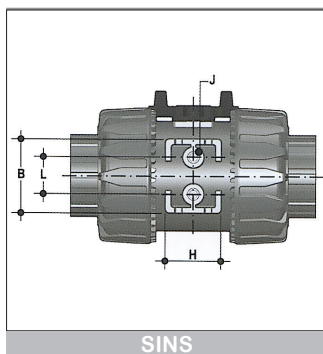
TYPE LUG:

met draadogen (DIN 5202, ANSI B16.5 cl. 150) op aanvraag
avec oreilles taraudées (DIN 5202, ANSI B16.5 cl. 150) sur demande
with threaded holes (DIN 5202, ANSI B16.5 cl. 150) on request



toebehoren voor kranen VKD - TKD - VKR
 accessoires pour vannes VKD - TKD - VKR
 accessories for valves VKD - TKD - VKR

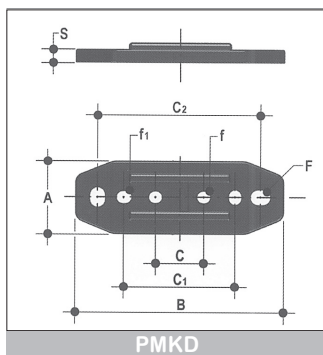
PP



SINS

DRAADBUSSEN
 BUSELURES
 THREADED INSERTS

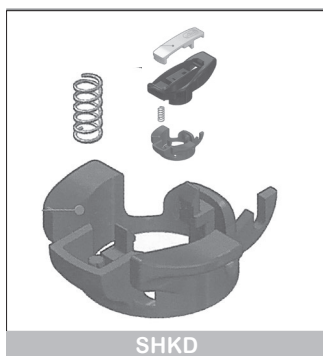
D	DN	B	H	L	J	€/ST/PC = 20 ST/PC	
						Messing Laiton Brass	RVS 316 Inox 316 SS 316
16	10	31.5	27	20	M4 x 6	15.82	87.20
20	15	31.5	27	20	M4 x 6	15.82	87.20
25	20	40.0	30	20	M4 x 6	15.82	87.20
32	25	40.0	30	20	M4 x 6	15.82	87.20
40	32	50.0	35	30	M6 x 10	19.02	96.45
50	40	50.0	35	30	M6 x 10	19.02	96.45
63	50	60.0	40	30	M6 x 10	19.02	96.45



PMKD

MONTAGEPLAAT
 PLATINE
 MOUNTING PLATE

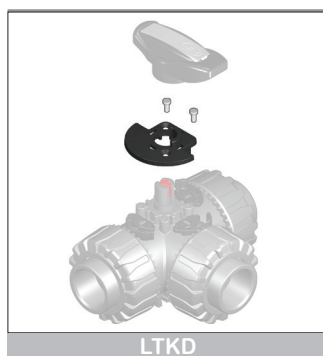
D	DN	A	B	C	C1	C2	F	f	f1	S	€/ST/PC
16	10	30	86	20	46	67.5	6.5	5.3	5.5	5	8.96
20	15	30	86	20	46	67.5	6.5	5.3	5.5	5	8.96
25	20	30	86	20	46	67.5	6.5	5.3	5.5	5	8.96
32	25	30	86	20	46	67.5	6.5	5.3	5.5	5	8.96
40	32	40	122	30	72	102.0	6.5	6.3	6.5	6	9.76
50	40	40	122	30	72	102.0	6.5	6.3	6.5	6	9.76
63	50	40	122	30	72	102.0	6.5	6.3	6.5	6	9.76



SHKD

KIT HANDVAT VERGRENDING 0-90°
 KIT DE VERROUILLAGE 0-90°
 HANDLE BLOCK KIT 0-90°

D	€/ST/PC
16 - 20	17.07
25 - 32	19.06
40 - 50	22.04
63	23.65



LTKD

HENDEL STOP 90°/180° KOERSBEPERKER 3 WEG KOGELKRAAN
 BUTÉE DE POIGNÉE 90°/180° LIMITEUR DE COURSE VANNE A BOULE 3 VOIES
 HANDLE STOP 90°/180° STROKE LIMITER 3 WAY BALL VALVE

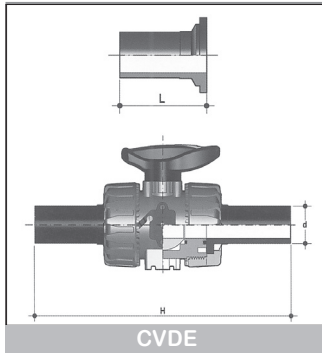
Voor / pour / for : TKD

D	€/ST/PC	
	LTKD 90°	LTKD 180°
16-20	17.07	17.07
25-32	20.83	20.83
40-50	24.93	24.93
63	31.26	31.26



toebereiden voor kranen VKD - TKD - VKR
accessoires pour vannes VKD - TKD - VKR
accessories for valves VKD - TKD - VKR

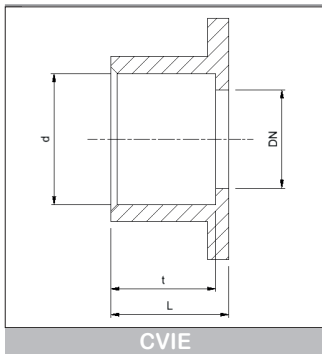
PP



HDPE 100 CONNECTOR VOOR STOMPLAS & ELECTROLAS
CONNECT. HDPE 100 SOUDAGE BOUT A BOUT OU ELECTROSOUDAGE
HDPE 100 END CONNECTOR FOR BUTT WELDING OR ELECTROFUSION

Voor / pour / for : VKD / TKD / SXE / RV / VV / VR / VKR / SSE / VEE

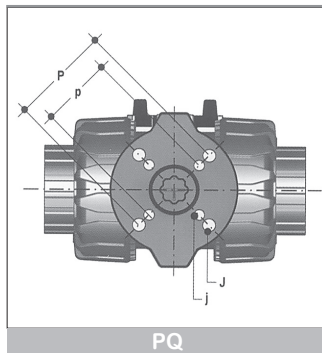
d	DN	L	H	€/ST/PC
20	15	55	175	3.40
25	20	70	210	3.47
32	25	74	226	3.49
40	32	78	243	5.45
50	40	84	261	6.47
63	50	91	293	9.20
75	65	110	356	25.82
90	80	118	390	33.57
110	100	130	431	39.00



HDPE 100 CONNECTOR VOOR MOFLAS
CONNECT. HDPE 100 POUR SOUDAGE A L'EMBOITURE
HDPE 100 END CONNECTOR FOR SOCKET WELDING

Voor / pour / for : VKD / TKD / SXE / RV / VV / VR / VKR / SSE / VEE

d	DN	L	t	€/ST/PC
20	15	18	16.0	9.41
25	20	22	17.0	10.05
32	25	25	19.5	10.58
40	32	28	22.0	11.21
50	40	34	25.0	12.65
63	50	43	29.0	21.57

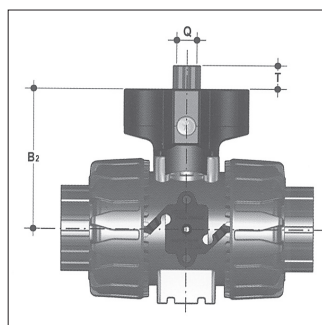


POWERQUICK

Opbouwmodule in PP-GVK geschikt voor VKD + TKD + VKR
Kit d'accouplement en PP-FRP pour VKD + TKD + VKR
Module for assembly in PP-FRP for VKD + TKD + VKR

d	DN	B2	T	p x j	P x J
16	10	58.0	16	F03 x 5.5	F04 x 5.5
20	15	58.0	16	F03 x 5.5	F04 x 5.5
25	20	73.5	16	F03 x 5.5	F05 x 6.5
32	25	74.0	16	F03 x 5.5	F05 x 6.5
40	32	97.0	16	F05 x 6.5	F07 x 8.5
50	40	104.0	16	F05 x 6.5	F07 x 8.5
63	50	114.0	16	F05 x 6.5	F07 x 8.5

* F04 x 5.5 op aanvraag / sur demande / on request



d	Actuators CP (FIP)		Actuators CE (FIP)		Kit €/ST/PC
	ISO	SQUARE	ISO	SQUARE	
16 - 20	F03-04*	11	F03	14	66.18
25	F03-05*	11	F03	14	70.19
25	F04	11	F04	14	70.19
32	F03-05*	11	F03	14	70.19
32	F04	14	F04	14	70.19
40	F05-07*	14	F05	14	80.20
50	F05-07*	14	F05	14	80.20
63	F05-07*	14	F05	14	85.22



toebehoren voor kranen VKD - TKD - VKR
 accessoires pour vannes VKD - TKD - VKR
 accessories for valves VKD - TKD - VKR

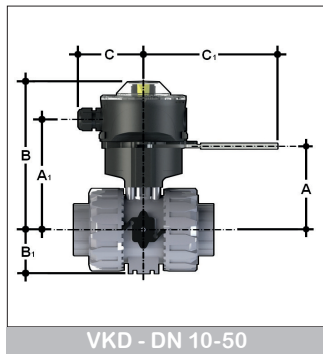
PP



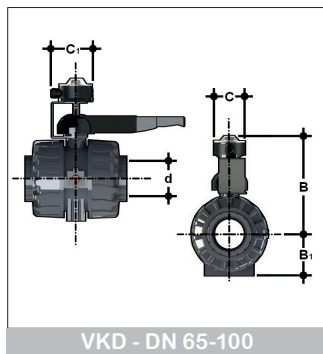
LSQT

MICROSWITCHBOX MET TERUGMELDINGEN
 BOITIER FIN DE COURSE
 LIMIT SWITCH BOX

Geschikt voor montage op VKD + TKD kogelkranen in combinatie met LSQTKIT montageset.
 Pour vannes à boule VKD + TKD montage par l'aide du kit de montage LSQTKIT.
 For VKD+TKD ballvalves, to be installed with LSQTKIT mounting kit.



VKD - DN 10-50

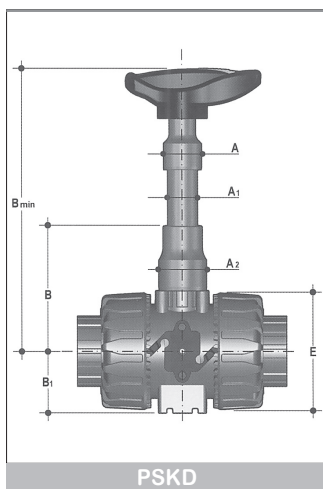


VKD - DN 65-100

D	DN	A	A1	B	B1	C	C1
16	10	60	91.5	137.0	29.0	76.5	157.5
20	15	60	91.5	137.0	29.0	76.5	157.5
25	20	71	102.5	148.0	34.5	76.5	157.5
32	25	76	107.5	153.0	39.0	76.5	157.5
40	32	93	124.5	170.0	46.0	76.5	157.5
50	40	99	130.5	176.0	52.0	76.5	157.5
63	50	116	147.5	193.0	62.0	76.5	157.5
75	65	-	-	275.0	87.0	103.0	126.9
90	80	-	-	286.7	105.0	103.0	126.9
110	100	-	-	305.5	129.0	103.0	126.9

d	€/ST/PC Montageset Kit de montage Mounting kit	€/ST/PC Electromechanisch Electromécanique Electro mechanical	€/ST/PC Inductief 3 draads PNP Inductif 3 fils PNP Inductive 3 wire PNP
16 - 20	LSQKIT020 86.59	LSQTMEC 301.15	LSQTPNP 513.32
25	LSQKIT025 91.81	LSQTMEC 301.15	LSQTPNP 513.32
32	LSQKIT032 91.81	LSQTMEC 301.15	LSQTPNP 513.32
40	LSQKIT040 104.97	LSQTMEC 301.15	LSQTPNP 513.32
50	LSQKIT050 104.97	LSQTMEC 301.15	LSQTPNP 513.32
63	LSQKIT063 111.53	LSQTMEC 301.15	LSQTPNP 513.32
75-90-110	LSKIT75160 207.09	LSQTMEC 301.15	LSQTPNP 513.32

Afsluiter niet incl., vanne non incl., valve not incl.



PSKD

VERLENGDE SPINDEL
 EXTENSION DE COMMANDE
 STEM EXTENSION

D	DN	A	A1	A2	E	B	B1	B min	€/ST/PC*
16	10	32	25	32	54	70.0	29.0	139.5	35.67
20	15	32	25	32	54	70.0	29.0	139.5	35.67
25	20	32	25	40	65	89.0	34.5	164.5	36.43
32	25	32	25	40	73	93.5	39.0	169.0	37.39
40	32	40	32	50	86	110.0	46.0	200.0	37.77
50	40	40	32	50	98	116.0	52.0	206.0	39.32
63	50	40	32	59	122	122.0	62.0	225.0	43.39

D75-90-110 op aanvraag / sur demande / on request

* PVC buis niet inbegrepen, tuyau en PVC pas inclus, PVC pipe not included.



toebehoren voor kranen FK
accessoires pour vannes FK
accessories for valves FK

PP

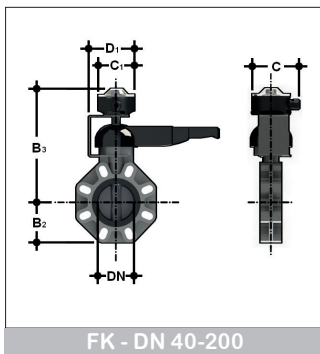


LSQT

MICROSWITCHBOX MET TERUGMELDINGEN
BOITIER FIN DE COURSE
LIMIT SWITCH BOX

Geschikt voor montage op FK vlinderkleppen in combinatie met LSQTKIT montageset.
Pour vannes papillon FK montage par l'aide du kit de montage LSQTKIT.
For FK butterfly lvalves, to be installed with LSQTKIT mounting kit.

D	B2	B3	C	C1	D1
40	60	260.5	126.9	103	123.5
50	70	266.5	126.9	103	123.5
65	80	273.5	126.9	103	123.5
80	93	287.5	126.9	103	123.5
100	107	301.5	126.9	103	123.5
125	120	321.5	126.9	103	123.5
150	134	334.5	126.9	103	123.5
200	161	385.0	126.9	103	129.8



FK - DN 40-200

d	€/ST/PC Montageset Kit de montage Mounting kit	€/ST/PC Electromechanisch Electromécanique Electro mechanical	€/ST/PC Inductief 3 draads PNP Inductif 3 fils PNP Inductive 3 wire PNP
50-63	LSKITFK5063 153.80	LSQTMEC 301.15	LSQTPNP 513.32
75-160	LSKITF75160 207.09	LSQTMEC 301.15	LSQTPNP 513.32
225	LSKIT225 221.05	LSQTMEC 301.15	LSQTPNP 513.32

*Afsluitert niet incl., vanne non incl., valve not incl.



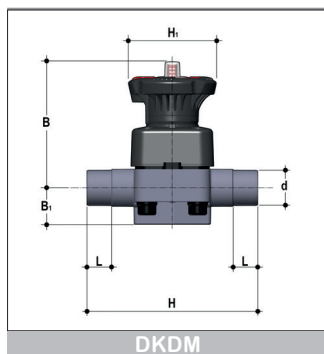
Adaptor voor opbouw aandrijving (elektrisch / pneumatisch) ISO 5211
Adapteur pour montage actuateur (electrique / pneumatique) ISO 5211
Adaptor for mounting of actuator (electrical / pneumatic) ISO 5211

d 50 160 : 24.94 €/ST/PC
d 225 : 30.36 €/ST/PC



kranen
vannes
valves

PP



DKDM

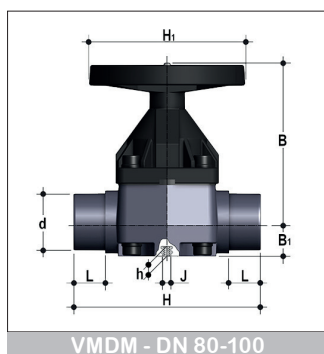
MEMBRAANKRANEN
VANNES A MEMBRANE
DIAPHRAGM VALVES

PN 10

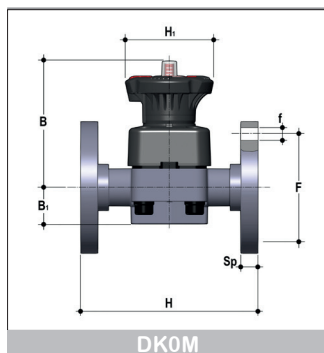
Uitwendige lasaansluiting.
Bouts mâles pour soudage dans l'emboiture.
Spigot welding.

D	DN	L	H	H ₁	B	B ₁	G/ST/PC	€/ST/PC		
								EPDM	FPM	PTFE
20	15	16	124	80	102	25	430	85.94	133.02	153.07
25	20	19	144	80	105	30	445	93.02	133.02	161.31
32	25	22	154	80	114	33	620	109.48	157.77	176.62
40	32	26	174	80	119	30	650	128.26	208.39	230.67
50	40	31	194	120	147	35	1380	167.12	245.44	269.55
63	50	38	224	120	172	46	2135	202.53	337.74	335.55
75	65	44	284	120	172	46	2225	439.09	822.83	618.05
* 90	80	51	300	215	225	55	7500	540.35	926.18	720.44
*110	100	-	350	250	295	55	15000	718.12	1,358.03	933.66

* PTFE : PN 6 / TYPE VMDM



VMDM - DN 80-100

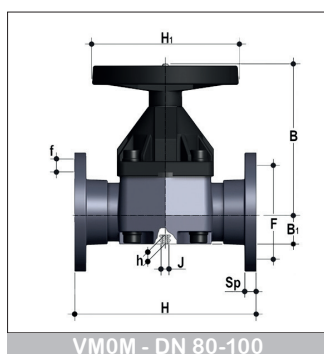


DK0M

MEMBRAANKRANEN
VANNES A MEMBRANE
DIAPHRAGM VALVES

PN 10

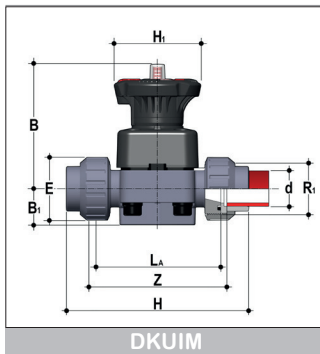
Flensaansluiting, vaste flenzen volgens DIN 2501.
Raccordement à brides fixes, selon DIN 2501.
Flanged connection with fixed backing rings DIN 2501.



VM0M - DN 80-100

* PTFE : PN 6 / TYPE VMOM

D	DN	B	B ₁	H	H ₁	Sp	F	f	n	G/ST/PC	€/ST/PC		
											EPDM	FPM	PTFE
20	15	102	25	130	80	13.5	65	14	4	588	131.17	178.63	198.83
25	20	105	30	150	80	13.5	75	14	4	645	140.95	190.78	209.79
32	25	114	33	160	80	14.0	85	14	4	910	159.14	207.78	226.79
40	32	119	30	180	80	14.0	100	18	4	1110	193.64	274.39	296.81
50	40	147	35	200	120	16.0	110	18	4	1955	235.71	316.44	338.93
63	50	172	46	230	120	16.0	125	18	4	2905	297.44	433.88	431.69
75	65	225	55	290	120	21.0	145	18	4	3325	598.84	976.87	773.18
* 90	80	225	55	310	215	-	160	18	8	7500	727.92	1117.14	909.49
*110	100	295	69	350	250	-	180	18	8	11350	932.20	1577.67	1156.47

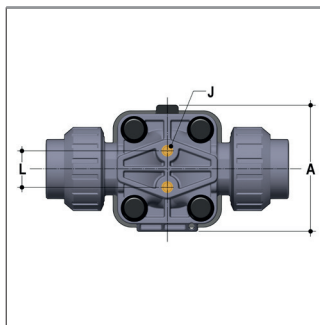


MEMBRAANKRANEN
VANNES A MEMBRANE
DIAPHRAGM VALVES

PN 10

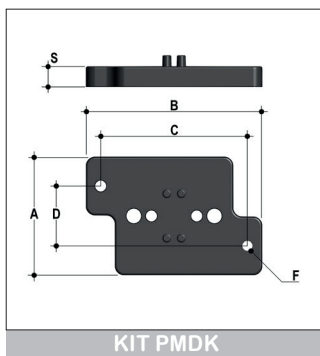
Aansluiting met driedelige koppelingen. Membraan in EPDM, FPM en PTFE.
Raccordement à raccords-union. Membranen en EPDM, FPM et PTFE.
Connection with socket unions. Diaphragm in EPDM, FPM and PTFE.

D	d	B	B ₁	E	H	H ₁	L _A	R ₁	Z	G/ST/PC	€/ST/PC		
											EPDM	FPM	PTFE
20	15	102	25	41	128	80	90	1"	101	457	100.38	147.53	166.74
25	20	105	30	50	150	80	108	1 1/4"	119	500	107.44	156.98	175.84
32	25	114	33	58	163	80	116	1 1/2"	127	695	125.17	173.51	192.35
40	32	119	30	72	184	80	134	2"	145	781	145.26	225.48	247.87
50	40	147	35	79	210	120	154	2 1/4"	165	1526	185.97	264.40	286.77
63	50	172	46	98	248	120	184	2 3/4"	195	2410	227.80	363.50	361.19



MONTAGEPLAAT
PLATINE
MOUNTING PLATE

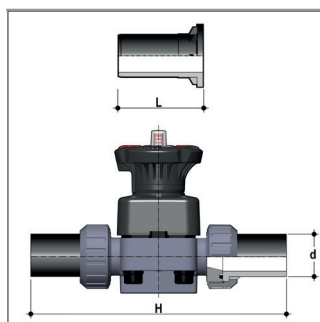
D	DN	A	L	J
20	15	74	25.0	M6 x 10
25	20	74	25.0	M6 x 10
32	25	87	25.0	M6 x 10
40	32	87	25.0	M6 x 10
50	40	114	44.5	M8 x 14
63	50	136	44.5	M8 x 14
75	65	136	44.5	M8 x 14



KIT PMDK

D	DN	A	B	C	D	F	S	€/ST/PC
20	15	65	97	81	33	5.5	11	17.53
25	20	65	97	81	33	5.5	11	17.53
32	25	65	97	81	33	5.5	11	17.53
40	32	65	97	81	33	5.5	11	17.53
50	40	65	144	130	33	6.5	11	19.74
63	50	65	144	130	33	6.5	11	19.74
75	65	65	144	130	33	6.5	11	19.74

Inclusief 2 RVS schroeven / Inclusif 2 ecroux en inox / 2 stainless steel screws included



HDPE 100 CONNECTOR VOOR STOMPLAS & ELECTROLAS
CONNECT. HDPE 100 SOUDAGE BOUT A BOUT OU ELECTROSOUDAGE
HDPE 100 END CONNECTOR FOR BUTT WELDING OR ELECTROFUSION

SDR11

d	DN	L	H	€/ST/PC
20	15	95	280	6.22
25	20	95	298	7.28
32	25	95	306	9.24
40	32	95	324	11.82
50	40	95	344	12.21
63	50	95	374	17.79



kranen
vannes
valves

PP



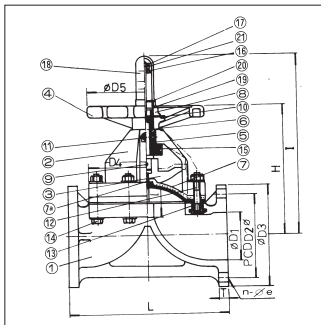
VAOM

MEMBRAANKRANEN - GROTE DIAMETERS
VANNES A MEMBRANE - GRAND DIAMETRES
DIAPHRAGM VALVES - BIG DIAMETERS

Aansluiting met flenzen.
Membraan : EPDM, PTFE.

Raccordement à brides.
Membrane : EPDM, PTFE.

Flange connection.
Diaphragm : EPDM, PTFE.



D	DN	PN		L	D	D ₂	D ₃	H	I	T	e	n	KG/ ST/PC
		EPDM	PTFE										
125/140	125	8	7	400	125	210	250	308	420	23	18	8	14.3
160/180	150	8	5	480	148	240	285	334	476	27	23	8	23.0
200/225	200	3	2	600	196	295	340	419	627	34	23	8	35.7
250/280	250	3	2	730	247	350	385	510	778	36	23	12	61.6

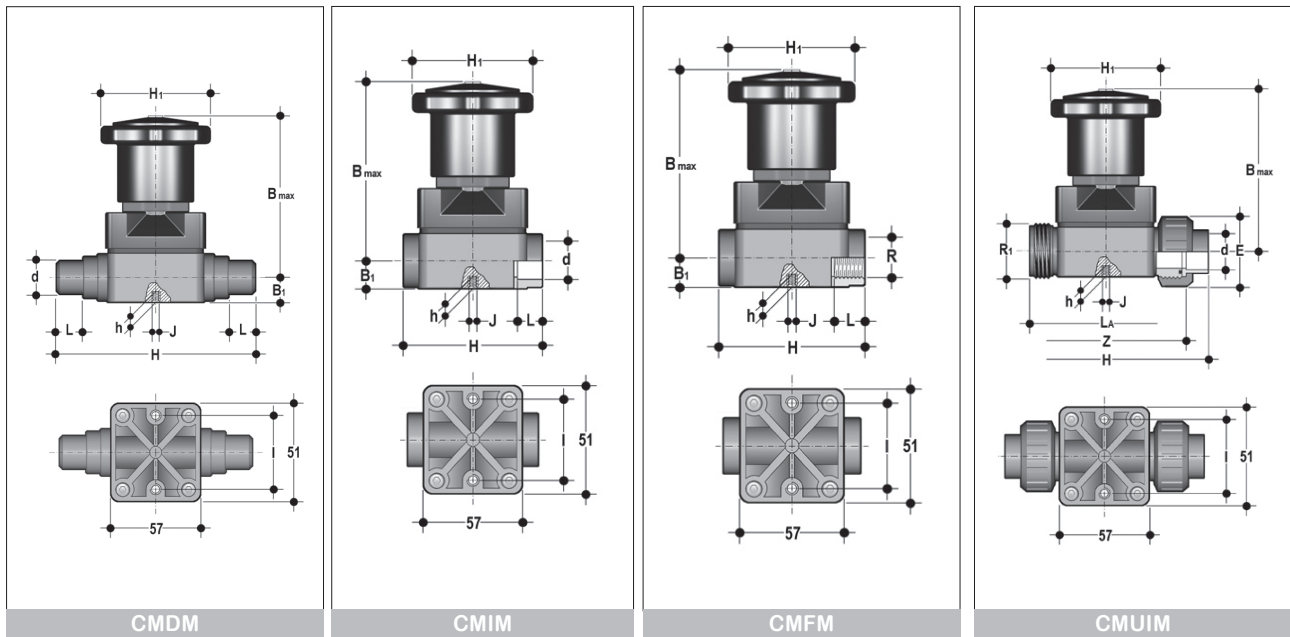
Prijs op aanvraag
Prix sur demande
Price on request



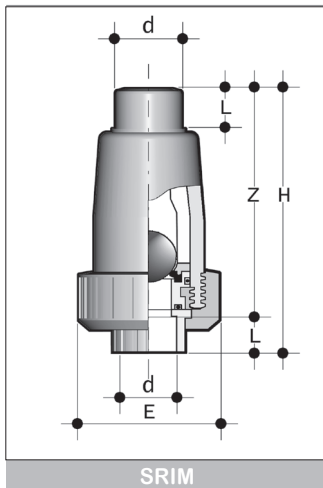
MEMBRAANAFSLUITERS
ROBINETS A MEMBRANE
DIAPHRAGM COCKS

PN 6

Volgens normen ISO-BS-ASTM.
Normes selon ISO-BS-ASTM.
According to ISO-BS-ASTM.



CODE	D/R	DN	B max.	B1	H1	H	h	l	J l/min	L/LA	g	z	R1	E	€/ST/PC		
															EPDM	FPM	CR+PTFE
CMDM	20	15	86	15	58.5	124	8	35	M5	17	270				103.08	109.16	118.69
CMIM	16	12	86	15	58.5	75	8	35	M5	14	240				57.64	78.55	88.36
CMIM	20	15	86	15	58.5	75	8	35	M5	16	240				57.64	78.55	88.36
CMFM	3/8"	12	86	15	58.5	75	8	35	M5	11.5	240				57.64	78.55	88.36
CMFM	1/2"	15	86	15	58.5	75	8	35	M5	15.0	240				57.64	78.55	88.36
CMUIM	20	15	86	-	58.5	130	8	35	M5	90	255	97.5	1"	41	91.96	111.66	122.68

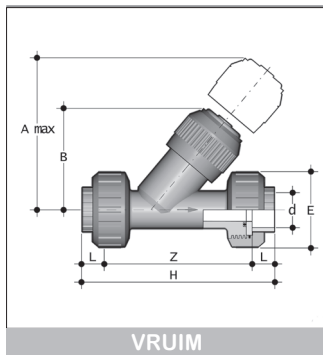


KOGEL TERUGSLAGKLEPPEN
CLAPETS DE RETENUE A BILLE
CHECK BALL VALVES

PN 10

Inwendige lasmoffen.
Bouts femelles à souder.
With welding sockets.

d	DN	E	L	Z	H	G/ST/PC	€/ST/PC FPM
20	15	55	16	89	105	75	68.60
25	20	65	19	107	126	140	75.96
32	25	74	22	126	148	215	83.26
40	32	86	26	146	172	320	102.29
50	40	99	31	158	189	440	121.14
63	50	120	38	186	224	750	181.79

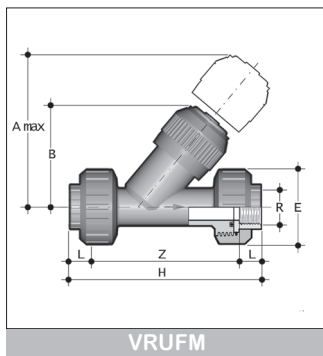


TERUGSLAGKLEPPEN
CLAPETS DE RETENUE
CHECK VALVES

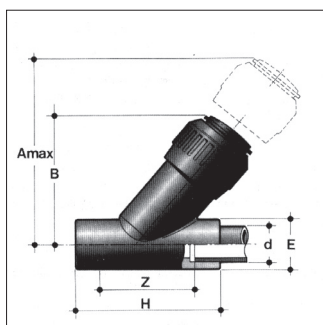
3-delige koppelingen met inwendige lasmof (VRUIM) of inwendige schroefdraad (VRUFM).
Afdichting: FPM (EPDM op aanvraag)

Raccordement avec pièces folles, bouts femelles à souder (VRUIM) ou bouts femelles à fileter (VRUFM).
Etanchéité: FPM (EPDM sur demande)

Three union connections for socket fusion (VRUIM) or interior thread (VRUFM).
Seals: FPM (EPDM on request)



D	R	PN	A max	B	E	Z		H		G ST/PC	€/ST/PC	
						VRUIM	VRUFM	VRUIM	VRUFM		VRUIM	VRUFM
20	1/2"	10	125	71.0	55	108.5	113.0	137.5	143	165	72.13	76.47
25	3/4"	10	145	83.0	65	125.0	127.4	157.0	160	227	82.68	87.61
32	1"	10	165	94.0	74	142.5	144.8	178.5	183	380	89.71	96.88
40	1 1/4"	10	190	109.0	86	164.0	171.2	205.0	214	645	109.02	115.58
50	1 1/2"	10	210	119.0	99	196.5	192.2	243.5	235	915	131.89	139.81
63	2"	10	240	142.5	120	239.0	233.6	294.0	285	1555	200.40	210.44

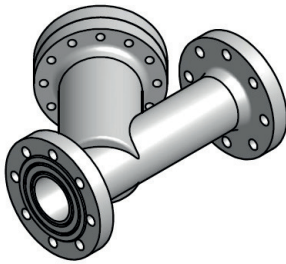


Inwendige lasmoffen (VRIM). Afdichting: FPM
Bouts femelles à souder (VRIM). Etanchéité: FPM
With welding sockets (VRIM). Seals: FPM

D	DN	Amax.	B	E	H	Z	K	G/ST/PC	PN	€/ST/PC
75	65	300	176	103	241	179	96	2450	6	402.46
90	80	325	193	115	260	189	105	3130	4	662.52

kranen
vannes
valves

PP



VROM

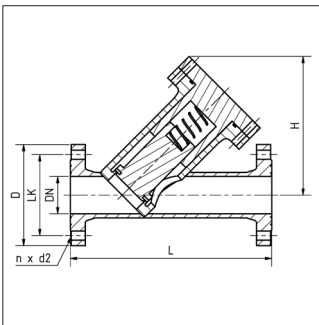
TERUGSLAGKLEPPEN MET SCHUINE ZITTING GROTE DIAMETERS
CLAPTES DE RETENUE A SIEGE INCLINEEU EN GRAND DIAMETRES
ANGLE SEAT CHECK VALVES BIG DIAMETERS

PN 6

Met vaste flenzen volgens DIN EN 1092-1, DIN2501 PN10.
Veerbelast (FEP omwikkelde veer), dichtingen EPDM of FPM.

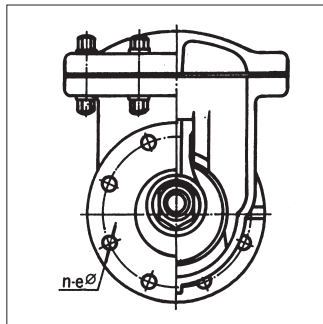
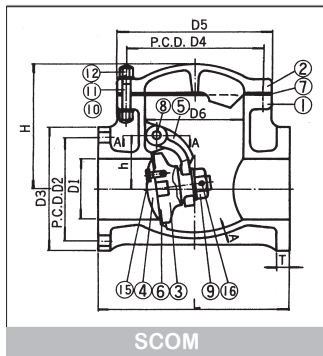
A brides fixes suivants DIN EN 1092-1, DIN2501 PN10.
Avec ressort (FEP incapsulé), joints d'étanchéité en EPDM ou FPM.

Fixed flanges acc to DIN EN1092-1, DIN2501 PN10.
Spring loaded (FEP coated), seals in EPDM or FPM.



d	DN	H	L	LK	D	n x d2	Kv l/min $\Delta p=1\text{bar}$	G/ST/PC	€/ST/PC EPDM	€/ST/PC FPM
75	65	260	370	145	185	4 x $\phi 18$	500	5200	1928	1961
90	80	275	410	160	200	8 x $\phi 18$	1000	7500	2110	2141
110	100	325	440	180	220	8 x $\phi 18$	1600	8500	2560	2629
160	150	430	600	240	285	8 x $\phi 22$	4500	13000	3954	4038

kranen vannes valves **PP**

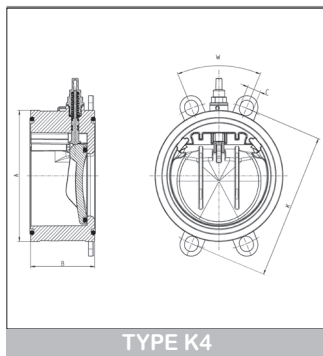


SWING TERUGSLAGKLEPPEN
CLAPETS DE RETENUE SWING
SWING CHECK VALVES

Flensaansluiting volgens DIN 2501 PN 10. Dichtingen : EPDM, FPM, PTFE.
A brides suivant DIN 2501 PN 10. Joints : EPDM, FPM, PTFE.
With flanges according to DIN 2501 PN 10. Seals : EPDM, FPM, PTFE.

DN	A	B	H	L	T	PN BAR*	G/ST/PC
20	105	86	90	140	15	7	460
25	115	130	120	160	15	7	1100
40	150	145	138	180	16	7	2100
50	165	180	164	200	17	7	2800
65	185	205	171	260	20	7	3500
80	200	205	171	260	20	7	3800
100	220	265	213	300	23	5	6600
125	250	330	238	350	25	5	11400
150	285	370	268	400	30	5	14300
200	340	425	306	500	31	3	23400

* werkdruk bij 20°C
* pression de travail à 20°C
* working pressure at 20°C



TERUGSLAGKLEPPEN
CLAPETS DE RETENUE
CHECK VALVES

PN 6
PP-GFK: PN 10 (DN250 : PN 8)
PP: PN 6

Met standaardwijzer
Opening tot 85°, dichting EPDM of FPM
Verbinding d.m.v. kraag / flens
Leverbaar met veer voor werkdruk van 3 - 7 - 10 bar

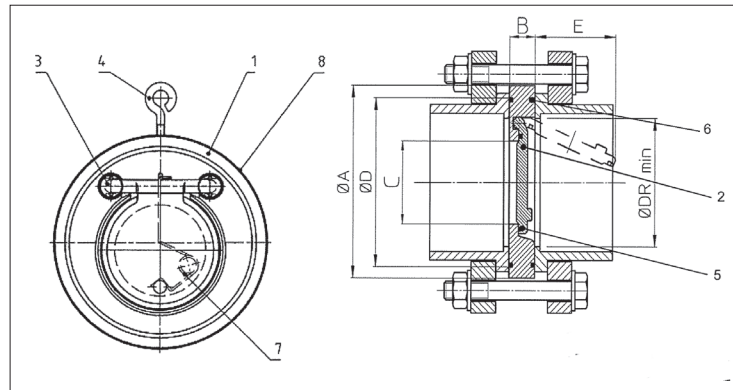
Avec indicateur de position.
Ouverture jusqu'à 85°, joint EPDM ou FPM
Raccordement avec collet / bride.
Livable avec ressort pour pression de 3 - 7 - 10 bar.

With position indicator
Opening up to 85°, gasket EPDM or FPM
Connection by stub flange / flange
With spring for pressure 3 - 7 - 10 bar.

DN	A	B	C	K	W
65	115	63	20	139-145	90°
80	128	71	20	150-160	45°
100	155	80	20	175-191	45° BS
150	212	106	24	234-242	45° BS
200	264	140	24	290-299	45° BS
250	325	140	27	350-362	30° BS

prijzen op aanvraag / prix sur demande / prices on request.

VLINDERTERUGSLAGKLEPPEN
CLAPETS DE RETENUE PAPILLON UNVM
BUTTERFLYCHECK VALVES



1. body
2. disc
3. screw
4. ring screw
5. O-ring
6. O-ring
7. spring
8. typ plate
9. spacer

Eveneens leverbaar voor ASA 150 flenzen.
Deze terugslagklep is niet aan te raden voor pulserende stromingen.
Dichtingen : EPDM, FPM.
Veer :RVS 316 of HASTELLOY optioneel

Egalement disponible pour brides ASA 150.
Ces vannes de retenue ne conviennent pas pour des flux pulsés.
Joints : EPDM, FPM.
Ressort : INOX 316 of HASTELLOY en option

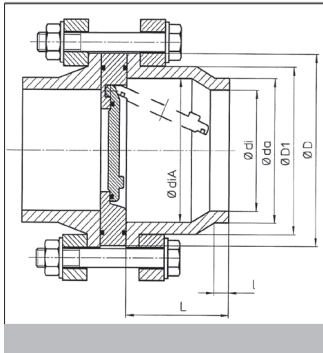
Also available to fit ANSi 150 flanges.
These valves are not suitable for use with pulsating flows.
Seals : EPDM, FPM.
Spring : AISI 316 of HASTELLOY optional

D	DN	A	B	*B	C	D	E	F	DR	PN	€/ST/PC EPDM
40	32	85	15	15	18	59	22	25	37	6	141.17
50	40	95	16	16	22	72	25	28	43	6	155.93
63	50	109	18	18	32	86	37	29	54	6	169.97
75	65	129	20	20	40	105	50	31	70	6	176.07
90	80	144	20	20	54	119	61	32	82	6	194.33
110	100	164	23	23	70	146	77	31	106	6	219.63
140	125	195	23	23	92	173	94	35	131	6	241.57
160	150	220	26	26	105	197	100	40	159	6	246.52
225	200	275	34	34	154	255	152	38	207	6	482.23
280	250	330	40	40	192	312	180	41	260	6	904.63
315	300	380	45	45	227	363	215	41	309	6	1462.90
400	350	440	49	49	266	416	245	54	341	4	-
450	400	491	65	65	310	467	285	55	392	4	-
560	500	596	78	87	400	550	385	58	493	4	-

B : afmetingen zonder veer / dimensions sans ressort / dimensions without spring
*B : afmetingen met veer / dimensions avec ressort / dimensions with spring

prijzen zonder veer / prix sans ressort / prices without spring
D 400-560 : prijzen op aanvraag / prix sur demande / price on request

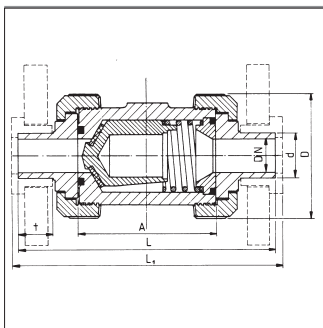
kranen vannes valves **PP**



VLINDERTERUGSLAGKLEPPEN
CLAPETS DE RETENUE PAPILLON
BUTTERFLYCHECK VALVES

Inbouwafmetingen met PP voorlaskragen
Dimensions de construction pour les collets en PP
Dimensions exit support for PP Stub Flanges

DN	D	L	da	di		diA	I	D1
				PN6	PN10			
32	80	65	40	35	32	37	30	50
40	90	68	50	43	41	43	30	61
50	105	74	63	54	51	54	30	77
65	125	78	75	66	61	70	30	91
80	140	87	90	79	73	82	35	109
100	160	102	110	97	90	106	35	132
100	160	90	125	110	102	106	35	132
125	190	125	140	124	114	130	47	166
150	215	150	160	141	130	158	52	189
150	215	130	180	158	147	158	52	189
200	270	200	200	177	163	206	55	249
200	270	180	225	199	184	206	56	249
250	325	225	250	221	204	259	63	293
250	325	200	280	248	229	259	63	293
300	375	255	315	280	257	308	66	337
350	435	285	355	314	290	341	71	375
400	486	325	400	354	327	392	78	429



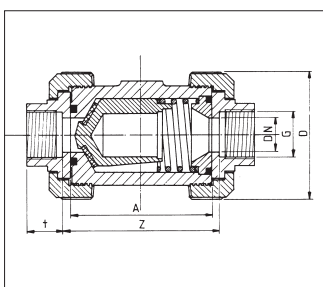
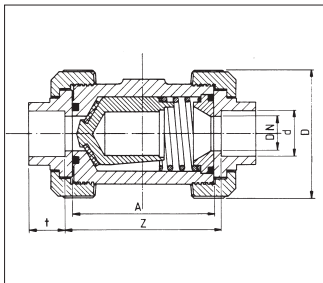
PRIM

KEGEL TERUGSLAGKLEPPEN MET VEER
CLAPETS DE RETENUE CHARGEE PAR RESSORT
CHECK BALL VALVES SPRING LOADED

Vrouwelijke lasuiteinden (PRIM), mannelijke lasuiteinden (PRDM), draadaansluiting (PRFM), flensaansluiting (PROM). Dichtingen: EPDM, FPM, Veer: WSt 1.4401 met PTFE coating.

Bouts femelles à souder (PRIM), bouts mâles à souder (PRDM), filetage femelle (PRFM), à brides (PROM). Joints: EPDM, FPM Ressort: WSt 1.4401 enrobé avec PTFE.

Welding sockets (PRIM), welding spigots (PRDM), threaded sockets (PRFM), with flanges (PROM). Seals: EPDM, FPM, spring: WSt 1.4401 with PTFE coating.



D	DN	G	L	L1	A	Z	t	D	PN
20	15	1/2"	124	130	62	67.5	16.0	52.5	10
25	20	3/4"	144	150	69	79.0	17.0	62.0	10
32	25	1"	154	160	73	84.0	19.5	69.5	10
40	32	1 1/4"	174	180	83	96.0	22.0	84.0	10
50	40	1 1/2"	194	200	94	114.0	25.0	100.0	10
63	50	2"	224	230	108	134.0	29.0	120.0	10
75	65	2 1/2"	284	290	133	162.0	34.5	155.0	8
90	80	3"	300	310	160	208.0	38.5	187.0	6
110	80	4"	340	350	160	227.0	44.0	187.0	6

Openingsdruk 0.06 bar.
Pression d'ouverture 0.06 bar.
Opening pressure 0.06 bar.

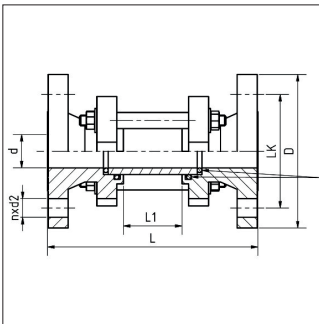


KIJKGLAZEN
REGARDS DE COULEE
INSPECTION GLASSES

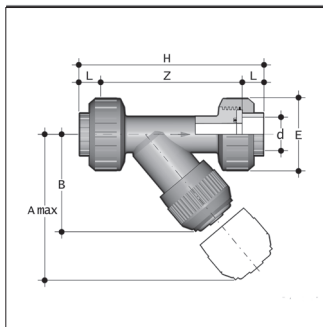
Met vaste flenzen volgens DIN EN 1092-1, DIN2501 PN10.
Dubbele afdichting ten behoeve van verhoogde veiligheid (EPDM of FPM).
Borosilikaat kijkglas.

A brides fixes suivants DIN EN 1092-1, DIN2501 PN10.
Double étanchéité pour une sécurité élevée (EPDM ou FPM).
Tube en verre borosilicaté.

Fixed flanges acc to DIN EN1092-1, DIN2501 PN10.
Double process safety through 2 seals (EPDM or FPM).
Tube in borosilicate glass.



d	DN	PN	L	L1	LK	D	n x d2	G/ST/PC	€/ST/PC	€/ST/PC
DIN EN 1092-1 / DIN2501									EPDM	FPM
20	15	10	140	26	65	95	4 x ø14	500	346.50	386.54
25	20	10	150	36	75	105	4 x ø14	800	366.52	411.18
32	25	10	160	46	85	115	4 x ø14	1000	386.54	429.66
40	32	10	180	58	100	140	4 x ø18	1200	443.52	486.64
50	40	10	200	70	110	150	4 x ø18	1600	452.76	511.28
63	50	10	230	92	125	165	4 x ø18	1900	486.64	555.94
75	65	7	290	116	145	185	4 x ø18	3000	623.70	691.46
90	80	7	310	126	160	200	8 x ø18	4200	746.90	828.52
110	90	6	350	160	180	220	8 x ø18	4600	850.08	976.36
140	125	5	400	196	210	250	8 x ø18	8500	1081.08	1205.82
160	150	5	480	244	240	285	8 x ø22	10800	1496.88	1630.86



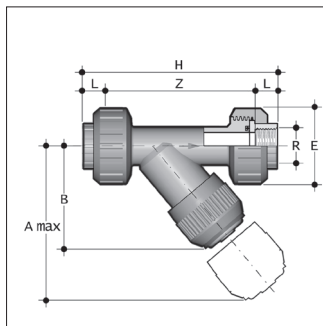
RVUIM

VUILVANGERS
 FILTRES A TAMIS
 SEDIMENT STRAINERS

3-delige koppelingen met inwendige lasmof (RVUIM) of inwendige schroefdraad (RVUFM).
 Afdichting: FPM. Standaard PP zeefje 1.5 mm maaswijdte.

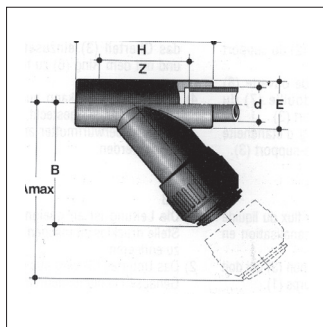
Raccordement avec pièces folles, bouts femelles a souder (RVUIM) ou bouts femelles à fileter (RVUFM).
 Etancheité: FPM. Tamis standard en PP avec trame 1.5 mm.

Three union connections for socket fusion (RVUIM) or interior thread (RVUFM).
 Seals: FPM. Standard PP filter screen 1.5 mm mesh.



RVUFM

D	R	PN	A max	B	E	Z		H		G ST/PC	€/ST/PC	
						RVUIM	RVUFM	RVUIM	RVUFM		RVUIM	RVUFM
20	1/2"	10	125	71.0	55	108.5	105.0	137.5	135	148	84.61	89.72
25	3/4"	10	145	83.0	65	125.0	124.4	157.0	157	195	105.53	111.84
32	1"	10	165	94.0	74	142.5	139.8	178.5	178	297	123.42	133.32
40	1 1/4"	10	190	109.0	86	164.0	163.2	205.0	206	475	143.61	152.24
50	1 1/2"	10	210	119.0	99	196.5	203.2	243.5	246	675	165.58	175.50
63	2"	10	240	142.5	120	239.0	242.6	294.0	294	1100	227.91	239.38



RVIM

Inwendige lasmoffen (RVIM). Afdichting: FPM. Standaard PP zeefje 1.5 mm maaswijdte.
 Bouts femelles à souder (RVIM). Etancheité: FPM. Tamis standard en PP avec trame 1.5 mm.
 With welding sockets (RVIM). Seals: FPM. Standard PP filter screen 1.5 mm mesh.

D	DN	Amax.	B	E	H	Z	K	G/ST/PC	PN	€/ST/PC
75	65	300	176	103	241	179	96	1580	6	254.14
90	80	325	193	115	260	189	105	1920	4	326.08
110	100	385	229	138	323	240	-	3000	4	641.99

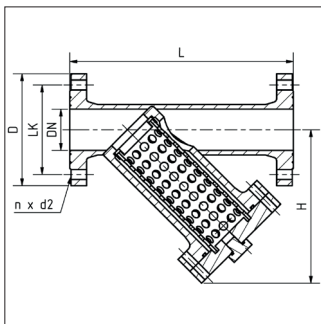


VUILVANGERS IN GROTE DIAMETERS
 FILTRES A TAMIS EN GRAND DIAMETRES
 SEDIMENT STRAINERS IN BIG DIAMETERS

Met vaste flenzen volgens DIN EN 1092-1, DIN2501 PN10.
 ETFE filter, standaard maaswijdte 2,0 mm, andere op aanvraag, dichtingen EPDM of FPM.

A brides fixes suivants DIN EN 1092-1, DIN2501 PN10.
 Trame du filtre ETFE 2,0 mm, autres sur demande, joints d'étanchéité en EPDM ou FPM.

Fixed flanges acc to DIN EN1092-1, DIN2501 PN10.
 ETFE filter, standard mesh 2,0 mm, others on request, seals in EPDM or FPM.



d	DN	PN	H	L	LK	D	n x d2	Kv l/min $\Delta p=1\text{bar}$	G/ST/PC	€/ST/PC EPDM	€/ST/PC FPM
75	65	6	260	370	145	185	4 x $\varnothing 18$	500	5000	1928	1961
90	80	6	275	410	160	200	8 x $\varnothing 18$	1000	6500	2110	2141
110	100	6	325	490	180	220	8 x $\varnothing 18$	1600	8000	2577	2629
140	125	6	380	550	210	250	8 x $\varnothing 22$	3000	13000	3274	3339
160	150	4	430	600	240	285	8 x $\varnothing 22$	4500	17000	3953	4038
225	200	4	550	700	295	340	8 x $\varnothing 22$	10000	24000	6692	6789
280	250	4	620	820	350	395	12 x $\varnothing 22$	4500	30000	8581	8701
315	300		780	950	400	445	12 x $\varnothing 22$	-	-	-	-
355	350		850	1020	460	505	16 x $\varnothing 22$	-	-	-	-
400	400		950	1120	315	565	16 x $\varnothing 26$	-	-	-	-
500	500		1050	1380	620	670	20 x $\varnothing 26$	-	-	-	-

Op aanvraag :

- Diameters tot DN500
- Versterkte versie met glasvezel versterking
- Manometeraansluiting op de filteruitgang
- Aftapkraan
- Snelsluitsysteem

Sur demande:

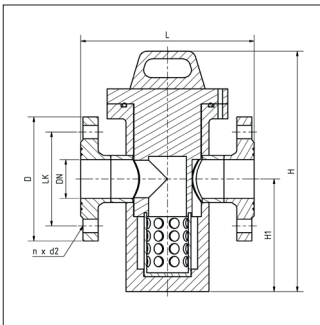
- Diamètres jusqu'à DN500
- Version avec renforcement en fibres de verre
- Perçage pour manomètre
- Vanne de purge
- Tendeurs rapides

On request:

- Sizes up to DN500
- Fiberglass reinforced version
- Pressure gauge port
- Drainvalve
- Quick release clamps



BSOM



MANDFILTERS
FILTRES A PANIER
POT STRAINERS

Met vaste flenzen volgens DIN EN 1092-1, DIN2501 PN10.
ETFE filter, standaard maaswijdte 2,0 mm, andere op aanvraag, dichtingen EPDM of FPM.
Schoonmaken/vervangen filter van bovenuit.

A brides fixes suivants DIN EN 1092-1, DIN2501 PN10.
Trame du filtre ETFE 2,0mm, autres sur demande, joints d'étanchéité en EPDM ou FPM.
Nettoyage /remplacement du filtre par au-dessus.

Fixed flanges acc to DIN EN1092-1, DIN2501 PN10.
ETFE filter, standard mesh 2,0mm, others on request, seals in EPDM or FPM.
Filter cleaning/exchange from above.

d	DN	PN	H	H1	L	LK	D	n x d2	Kv l/min $\Delta p=1\text{bar}$	G/ST/PC	€/ST/PC EPDM	€/ST/PC FPM
63	50	6	320	150	230	125	165	4 x $\varnothing 18$	350	3500	1763	1794
75	65	6	450	250	255	145	185	4 x $\varnothing 18$	500	5000	1833	1863
90	80	6	480	270	270	160	200	8 x $\varnothing 18$	1000	6500	2004	2034
110	100	6	573	285	350	180	220	8 x $\varnothing 18$	1600	8000	2447	2498
140	125	6	620	365	400	210	250	8 x $\varnothing 22$	3000	13000	3112	3172
160	150	4	690	410	450	240	285	8 x $\varnothing 22$	4500	17000	3755	3836
225	200	4	875	555	520	295	340	8 x $\varnothing 22$	10000	24000	6356	6448
280	250	4	920	570	630	350	395	12 x $\varnothing 22$	-	30000	8151	8265
315	300		1125	730	810	400	445	12 x $\varnothing 22$	-	-	-	-

Op aanvraag :

- Diameters tot DN300
- Versterkte versie met glasvezel versterking
- Manometeraansluiting op de filteruitgang
- Aftapkraan
- Snelsluitsysteem

Sur demande:

- Diamètres jusqu'à DN300
- Version avec renforcement en fibres de verre
- Perçage pour manomètre
- Vanne de purge
- Tendeurs rapides

On request:

- Sizes up to DN300
- Fiberglass reinforced version
- Pressure gauge port
- Drainvalve
- Quick release clamps



27 / DN 15-50

MONOBLOK KOGELKRANEN
ROBINET A TOURNANT SPHERIQUE - MONOBLOC
MONOBLOC - BALL VALVES

Kogelkranen voor chemische toepassingen. Uniek monoblok design zorgt voor verhoogde zekerheid tegen lekkage. Kogelzittingen en spindelpakking in PTFE. Geflensde uitvoering, manuele bediening met vergrendelbare kunststof hendel.

Robinets à tournant sphérique pour des applications chimiques. En monobloc unique offre une sécurité accrue contre les fuites. Sièges de boule et le joint de tige en PTFE. Exécution à bride, commande manuelle à levier cadenassable en matière synthétique.

Ball valves for chemical applications. Unique monoblock design provides increased security against leakage. Ball seats and spindle gasket in PTFE. Flanged execution, manual control with lockable lever in plastic.

Opties / Option :

- Pneumatische en elektrische aandrijvingen (+ toebehoren)
- spindelverlengingen voor isolatie
- ATEX uitvoering
- diameters tot DN 150
- dodemanshendel
- terugmeldingen (open-dicht)



27A / DN 65-100

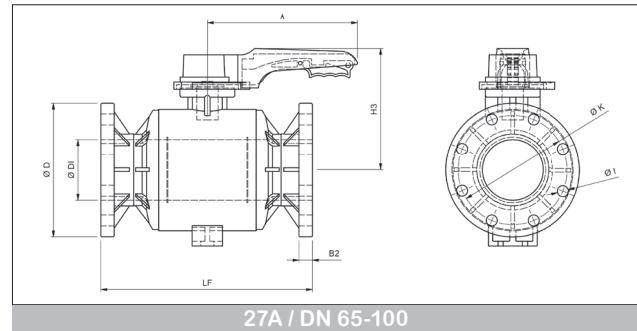
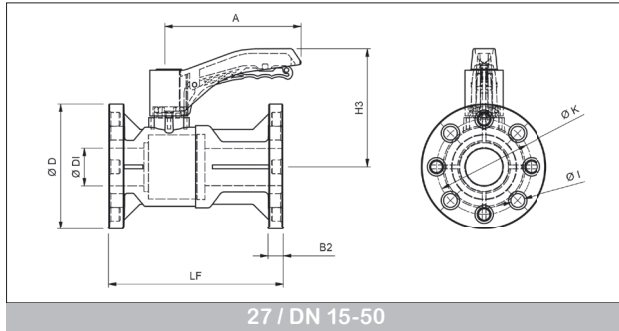
- Actionneurs pneumatiques et électriques (+ accessoires)
- rehausse pour calorifugeage
- exécution ATEX
- diamètres jusqu'à DN 150
- levier homme mort
- contacts fin de course (ouvert-fermé)

- Pneumatic and electric actuators
- spindle extensions for insulation
- ATEX execution
- diameters up to DN 150
- spring return handle
- limit switches (open-close)



MONOBLOK KOEGELKRANEN
ROBINET A TOURNANT SPHERIQUE - MONOBLOC
MONOBLOC - BALL VALVES

Vervolg / suite



DN	d	G	PN	Kv m³/h	Torque Nm	D	H3	A	LF	B2	n x l	K	Bouten Boulon Bolts	Torque* Nm
15	20	1/2"	10	11,1	6	95	115	140	130	13.0	4 x 14	65	4xM12	7,5
20	25	3/4"	10	21.0	6	105	115	140	150	14.0	4 x 14	75	4xM12	9.0
25	32	1"	10	42.0	8	117	125	140	160	15.0	4 x 14	85	4xM12	10.0
32	40	1 1/4"	10	60.0	12	140	145	175	180	17.0	4 x 18	100	4xM16	20.0
40	50	1 1/2"	10	96.0	12	150	145	175	200	17,5	4 x 18	110	4xM16	20.0
50	63	2"	10	186.0	19	165	155	175	230	18.0	4 x 18	125	4xM16	25.0
65	75	2 1/2"	10	300.0	18	185	205	250	290	20.0	4 x 18	145	4xM16	25.0
80	90	3"	10	420.0	18	200	205	250	310	20.0	8 x 18	160	8xM16	30.0
100	110	4"	10	840.0	40	225	215	250	350	21.0	8 x 18	180	8xM16	30.0

Torque = draaimoment / couple de manoeuvre / torque operation

Torque* = aandraaimoment flensbouten / couple de serrage boulons / tightening torque flange bolts

DN	PP-GFK €/ST/PC		
	EPDM	FKM	FEP
15	99.94	112.51	161.68
20	105.26	118.15	197.94
25	145.04	159.55	217.04
32	182.20	196.16	279.83
40	215.81	238.26	302.83
50	236.32	261.80	393.75
65	497.41	540.39	673.05
80	587.09	644.05	791.22
100	745.94	804.66	958.02