

ROND DONKERGRIJS RAL 7011
 ROND GRIS FONCÉ RAL 7011
 ROUND DARK GREY RAL 7011

Volgens ISO standaard.
 L = 5 m, gladde uitvoering. Andere lengten, kleuren en/of uiteinden op aanvraag
 Zelfdovend volgens DIN 4102.

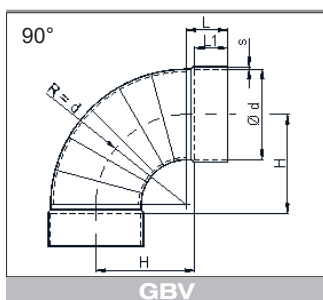
Suivant normes ISO.
 L = 5 m, bouts lisses. Autres longueurs, couleurs et/ou bouts sur demande.
 Auto-extinguible suivant DIN 4102.

According to ISO standard.
 L = 5 m, straight ends. Other lengths, colours and/or ends on request.
 Self-extinguishing according to DIN 4102

D x s	KG/M	€/M
110 x 1.8	0.964	14.96
125 x 1.8	1.097	17.02
140 x 1.8	1.231	16.62
160 x 1.8	1.410	21.31
180 x 1.8	1.588	25.32
200 x 1.8	1.767	26.58
225 x 1.8	1.990	31.15
250 x 2.0	2.432	36.67
280 x 2.3	3.156	48.82
315 x 2.5	3.831	57.83
355 x 2.8	4.944	77.08
400 x 3.2	6.191	97.63
450 x 3.6	7.761	123.50
500 x 4.0	9.509	149.93
600 x 5.0	14.000	454.56

OP AANVRAAG / SUR DEMANDE / ON REQUEST

PVC-UV wit / blanc / white
 alle fittingen / tous les raccords / all fittings

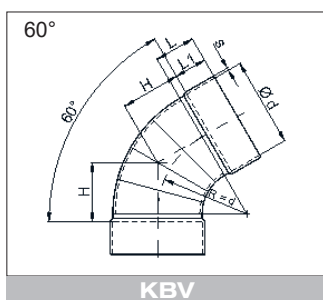
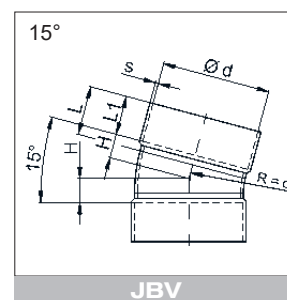
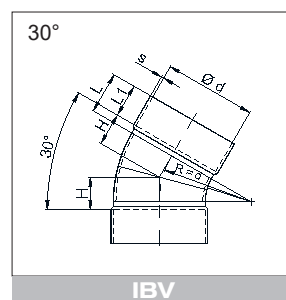
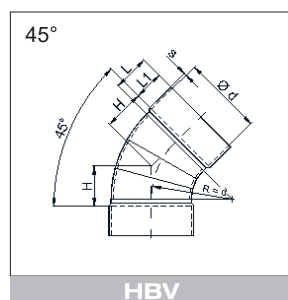
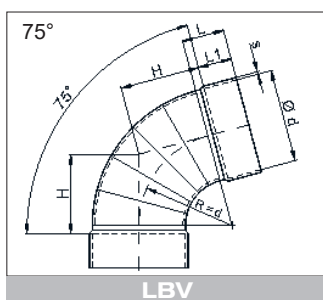


BOCHTEN R = 1D
COURBES R = 1D
ELBOWS R = 1D

DONKERGRIJS RAL 7011
GRIS FONCÉ RAL 7011
DARK GREY RAL 7011

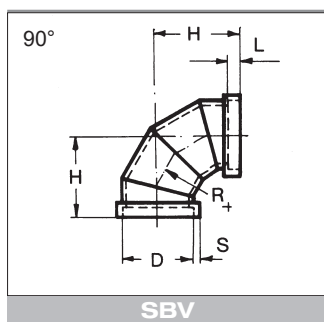
SEGMENTVRIJ
SANS SEGMENTS
WITHOUT SEGMENTS

Beide zijden gemoft.
Manchonnées des deux côtés.
Solvent welding sleeves on both ends.



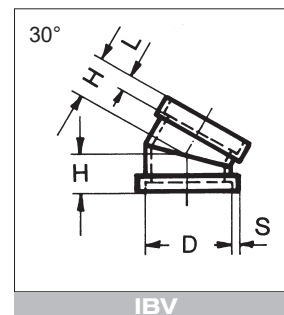
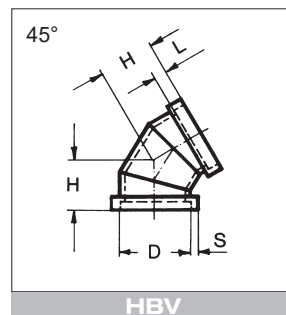
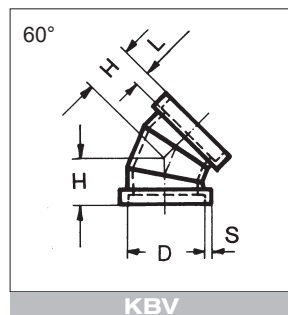
d	L	L1	s	H						€/ST/PC					
				90°	75°	60°	45°	30°	15°	90° GBV	75° LBV	60° KBV	45° HBV	30° IBV	15° JBV
50	30	25	3.5	55	50	40	30	20	15	15.53	15.53	16.73	14.34	14.34	14.34
63	30	25	3.5	70	60	45	32	20	20	15.53	15.53	16.73	14.34	14.34	14.34
75	40	35	3.5	80	65	50	35	25	20	15.53	15.53	16.73	14.34	14.34	14.34
90	40	35	3.5	95	75	55	40	30	20	19.13	19.13	19.13	16.73	16.73	16.73
110	50	40	4.0	120	95	75	55	55	15	23.89	23.89	26.28	17.92	16.73	16.73
125	50	40	5.0	135	105	80	60	60	25	26.28	26.28	25.09	21.50	19.13	19.13
140	50	40	4.0	150	115	90	70	70	30	28.67	28.67	27.47	21.50	21.50	21.50
160	50	40	3.5	170	135	100	75	65	20	31.07	31.07	31.07	22.70	26.28	26.28
180	60	50	3.5	190	150	115	86	85	35	35.84	35.84	34.65	26.28	26.28	26.28
200	60	50	3.0	210	165	125	95	85	25	39.42	39.42	41.81	26.28	26.28	26.28
225	60	50	4.0	235	185	140	105	105	40	50.18	50.18	52.57	31.07	31.07	33.45
250	60	50	4.0	260	200	155	115	105	35	52.60	52.60	52.57	34.65	33.45	33.45
280	60	50	6.0	290	225	170	125	125	45	72.87	72.87	77.66	47.78	35.84	35.84
315	60	50	5.0	325	250	190	140	140	50	88.40	88.40	88.40	54.96	45.39	45.39
355	60	50	5.0	365	280	215	160	155	55	115.88	115.88	115.88	74.08	57.35	57.35
400	70	60	6.0	410	315	240	175	175	65	140.97	140.97	129.02	86.01	65.72	65.72
450	70	60	4.0	460	365	280	200	195	70	391.86	391.86	296.29	290.32	154.11	154.11
500	70	65	5.0	510	405	300	215	215	85	458.80	458.80	372.75	322.56	180.40	178.01
600	80	65	5.0	600	470	360	270	170	90	776.56	776.56	647.52	498.19	277.18	260.44
700	110	90	7.0	730	565	430	310	210	115	1759.79	1759.79	1516.08	1364.36	973.68	973.68
800	115	100	7.0	800	630	480	350	235	125	2281.88	2281.88	1801.60	1660.64		
900	115	100	8.0	990	795	605	390	265	160	*	*	*	*	*	*
1000	115	100	8.0	990	795	605	430	265	160	*	*	*	*	*	*

* prijs op aanvraag / prix sur demande / price on request



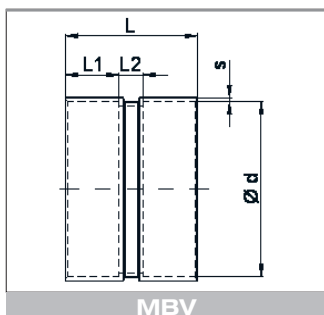
GESEGMENTEERDE BOCHTEN R = 1D
COURBES SEGMENTEES R = 1D
SEGMENTED ELBOWS R = 1D

DONKERGRIJS RAL 7011
GRIS FONCÉ RAL 7011
DARK GREY RAL 7011



D	L	S	H				90° SBV	€/ST/PC		
			90°	60°	45°	30°		60° KBV	45° HBV	30° IBV
1200	200	10.4	1260	730	575	345	6540.09	4321.03	4361.25	3129.88

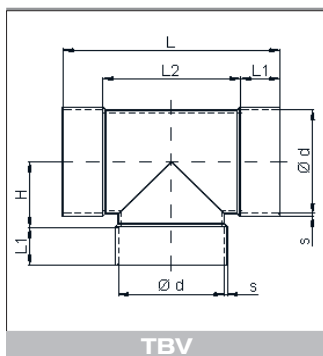
Ook leverbaar zonder moffen : prijs op aanvraag.
Egalement livrable sans manchons : prix sur demande.
Also available without socket ends : price on request.



SOKKEN
MANCHONS
SOCKETS

DONKERGRIJS RAL 7011
GRIS FONCÉ RAL 7011
DARK GREY RAL 7011

d	L2	L1	L	S	KG/ST/PC	€/ST/PC
50	30	25	80	3	0.1	8.36
63	30	25	80	3	0.1	8.36
75	30	35	100	3	0.2	8.36
90	30	35	100	3	0.2	8.36
110	20	40	100	3	0.1	10.76
125	20	40	100	3	0.1	13.15
140	20	40	100	3	0.1	13.15
160	20	40	100	3	0.2	16.73
180	20	40	100	3	0.2	19.13
200	20	50	120	3	0.3	21.50
225	20	50	120	3	0.4	32.26
250	20	50	120	3	0.4	34.65
280	20	50	120	3	0.4	40.63
315	20	50	120	3	0.7	40.63
355	30	50	130	4	0.7	48.99
400	35	60	155	4	1.0	51.37
450	40	60	160	4	1.4	89.61
500	40	60	160	4	1.4	100.36
600	35	65	165	5	2.4	121.86
700	35	90	215	6	3.3	293.89
800	30	100	230	8	4.6	424.11
900	50	100	250	8	6.8	488.65
1000	50	100	250	8	8.7	598.54
1250	0	125	250	10	13.6	808.82
1400	0	175	350	10	21.3	1059.69



T-STUKKEN 90°
TES A 90°
TEES 90°

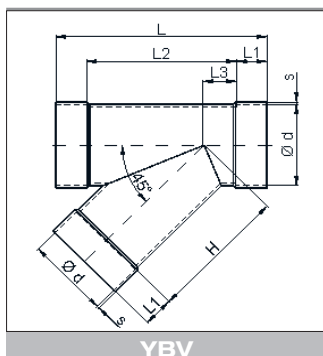
DONKERGRIJS RAL7011
GRIS FONCÉ RAL 7011
DARK GREY RAL 7011

Driezijdig gemoft.
Manchonnés des trois côtés.
Solvent welding sleeves on all ends.

d	H	L2	L1	L	S	KG/ST/PC	€/ST/PC
50	35	70	35	140	3.0	0.1	23.24
63	45	90	35	160	3.0	0.2	25.62
75	55	100	35	170	3.0	0.2	29.96
90	60	130	35	200	3.0	0.3	33.65
110	70	145	40	225	3.5	0.4	38.23
125	85	185	50	285	3.0	0.6	48.99
140	95	205	45	295	3.0	0.7	51.37
160	100	250	40	330	4.5	0.8	48.99
180	110	270	55	380	3.0	1.1	66.89
200	120	285	50	385	5.0	1.2	64.51
225	140	335	60	455	3.5	1.8	92.00
250	145	315	50	415	5.5	1.8	93.78
280	175	365	50	465	3.5	2.3	156.51
315	190	418	60	538	3.5	2.9	180.40
355	225	495	50	595	3.5	3.6	248.49
400	240	490	60	610	3.5	4.2	259.25
*450	250	560	70	700	3.5	5.2	467.11
*500	305	590	70	730	4.0	7.5	537.61
*600	340	670	70	810	5.0	12.0	819.66
*700	385	780	80	940	6.0	18.2	1269.97
*800	440	880	80	1040	6.3	24.0	1758.60
*900	500	940	100	1140	7.0	33.3	2848.89
*1000	560	1160	100	1360	8.0	50.1	3563.49
*1200	755	1490	120	1730	10.4	106.2	5368.48

* gesegmenteerd
* segmenté
* segmented

Eveneens leverbaar verloop T-stukken
Aussi livrable téés réduits
Also available tees reducing

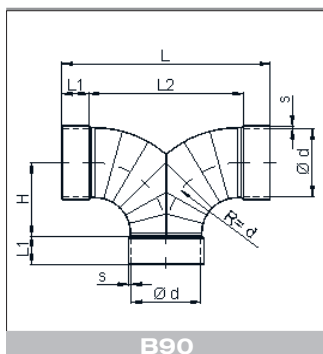


T-STUKKEN 45°
TES A 45°
TEES 45°

DONKERGRIJS RAL7011
GRIS FONCÉ RAL 7011
DARK GREY RAL 7011

d	L	L1	H	S	L3	L2	KG/ST/PC	€/ST/PC
50	170	35	75	3.0	25	100	0.2	56.15
63	190	35	95	3.0	28	120	0.2	56.15
75	215	40	105	3.0	30	135	0.3	56.15
90	240	40	125	3.0	35	160	0.4	59.74
110	290	40	160	3.0	50	210	0.6	64.51
125	290	40	167	3.0	42	210	0.7	66.89
140	325	45	188	3.0	48	235	0.8	75.27
160	395	55	222	3.0	63	285	1.1	81.24
180	420	50	250	3.0	70	320	1.4	96.77
200	435	45	272	3.0	72	345	1.6	111.11
225	490	50	307	3.5	82	390	2.3	132.61
250	500	40	335	3.0	85	420	2.2	162.47
280	570	50	375	4.0	95	470	3.7	226.99
315	640	60	417	4.0	102	520	4.7	259.25
355	675	50	465	4.0	110	575	5.6	370.36
400	780	60	539	4.0	130	660	7.3	372.75
*450	925	65	622	5.0	172	795	12.2	623.62
*500	995	65	682	5.0	182	865	14.5	711.86
*600	1155	65	812	6.0	212	1025	24.1	1047.75
*700	1340	80	940	6.0	240	1180	32.5	1651.07
*800	1520	100	1060	6.3	260	1320	44.3	2284.27
*900	1685	100	1192	7.0	292	1485	61.2	3528.96
*1000	1850	100	1325	8.0	325	1650	85.2	4377.51
*1200	2330	120	1670	10.4	420	2090	174.6	6772.81

* gesegmenteerd
* segmenté
* segmented

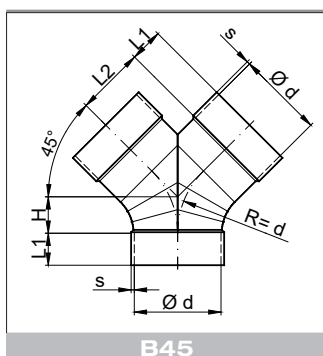


B90

BROEKSTUKKEN 90°
CULOTTES A 90°
TROUSER PIECES 90°

DONKERGRIJS RAL 7011
GRIS FONCÉ RAL 7011
DARK GREY RAL 7011

d	H	L2	L1	L	S	KG/ST/PC	€/ST/PC
50	60	120	25	170	3.0	0.2	62.13
63	75	150	25	200	3.0	0.2	62.13
75	80	160	35	230	3.0	0.3	62.13
90	95	190	35	260	3.0	0.5	64.51
110	120	240	40	320	3.0	0.8	78.85
125	135	270	40	350	3.0	1.2	88.40
140	150	300	40	380	3.0	1.2	100.36
160	170	340	40	420	3.0	1.3	124.25
180	190	380	50	480	3.0	1.6	164.87
200	210	420	50	520	3.0	1.7	164.87
225	235	470	50	570	3.5	2.8	207.87
250	260	520	50	620	3.5	3.3	221.02
280	290	580	50	680	3.5	6.1	264.02
315	325	650	50	750	3.5	6.2	291.51
355	365	730	50	830	3.5	7.7	332.14
400	410	820	50	920	3.5	11.9	377.52
450	470	940	55	1050	3.5	9.7	1102.71
500	520	1040	55	1150	4.0	14.8	1612.84
600	615	1230	65	1360	5.0	21.1	2122.99

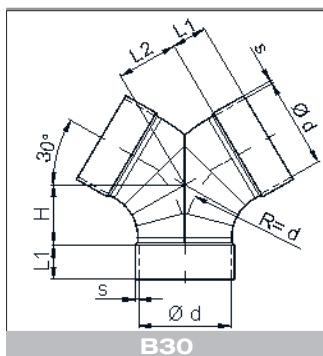


B45

BROEKSTUKKEN 45°
CULOTTES A 45°
TROUSER PIECES 45°

DONKERGRIJS RAL 7011
GRIS FONCÉ RAL 7011
DARK GREY RAL 7011

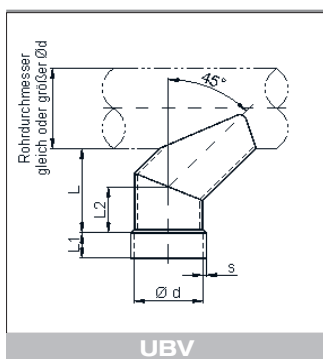
d	H	L2	L1	S	KG/ST/PC	€/ST/PC
50	20	35	25	3.0	0.1	53.77
63	25	45	25	3.0	0.2	53.77
75	35	50	20	3.0	0.2	53.77
90	35	65	20	3.0	0.3	56.15
110	40	75	45	3.0	0.4	64.51
125	60	100	40	3.0	0.7	66.89
140	70	120	20	3.0	0.7	92.00
160	55	125	40	3.0	0.8	107.51
180	85	140	30	3.0	1.1	139.78
200	60	145	50	3.0	1.0	158.90
225	105	185	40	3.0	1.9	183.97
250	70	160	50	3.0	1.4	191.16
280	125	245	40	3.0	3.7	293.89
315	140	275	50	3.0	3.1	297.48
355	140	275	45	3.0	5.0	302.26
400	175	355	50	3.0	9.0	321.37
450	200	415	55	3.5	9.5	917.53
500	215	460	60	4.0	13.9	978.45
600	255	550	60	5.0	16.3	1430.08



BROEKSTUKKEN 30°
CULOTTES A 30°
TROUSER PIECES 30°

DONKERGRIJS RAL 7011
GRIS FONCÉ RAL 7011
DARK GREY RAL 7011

d	H	L2	L1	S	KG/ST/PC	€/ST/PC
50	35	35	25	3.0	0.1	51.37
63	40	40	25	3.0	0.2	51.37
75	45	45	35	3.0	0.3	51.37
90	55	55	35	3.0	0.3	53.77
110	75	75	40	3.0	0.6	62.13
125	80	80	40	3.0	0.8	64.51
140	90	90	40	3.0	0.8	88.40
160	100	100	40	3.0	0.9	105.14
180	115	115	50	3.0	1.1	139.78
200	125	125	50	3.0	1.1	156.51
225	140	140	50	3.0	1.8	178.01
250	155	155	50	3.0	2.1	188.76
280	170	170	50	3.0	3.9	291.51
315	190	190	50	3.0	3.9	297.48
355	215	215	50	3.0	5.9	302.26
400	240	240	50	3.0	9.8	321.37
450	270	270	55	3.5	5.2	909.17
500	300	300	55	4.0	10.7	973.68
600	355	355	65	5.0	12.7	1655.84

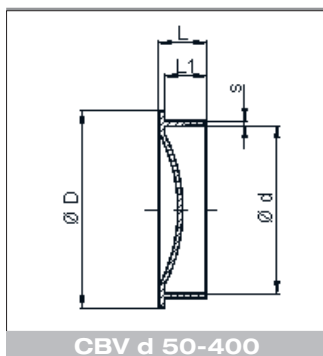


ZADELSTUKKEN 90°
PIEDS DE BICHE A 90°
SADDLE CONNECTIONS 90°

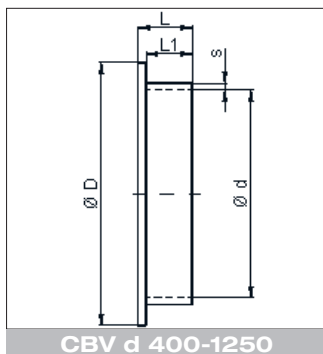
DONKERGRIJS RAL 7011
GRIS FONCÉ RAL 7011
DARK GREY RAL 7011

d	L	L1	L2	S	KG/ST/PC	€/ST/PC
50	65	35	30	2.4	0.1	38.23
63	80	35	33	3.0	0.2	40.63
75	90	35	36	2.2	0.2	40.63
90	100	35	39	2.7	0.2	45.39
110	130	40	53	3.2	0.3	51.37
125	145	40	56	1.8	0.4	56.15
140	160	40	59	2.8	0.5	62.13
160	185	40	73	3.2	0.8	66.89
180	205	50	77	2.5	0.8	75.27
200	225	50	81	2.5	1.0	81.24
225	255	50	97	2.8	1.3	94.38
250	280	50	102	2.9	1.6	113.50
280	305	50	108	2.9	1.9	145.75
315	340	50	115	2.9	2.4	169.66
355	375	50	124	2.9	3.0	207.87
400	415	60	133	3.2	4.0	328.55
450	470	60	153	3.6	6.5	401.42
500	515	60	164	4.0	8.0	485.93
600	620	65	194	5.0	14.0	667.35
700	710	80	265	6.0	24.0	873.59
800	800	100	286	6.3	33.0	1149.24

Buisstuk niet inbegrepen
Pied de tube no inclusive
Pipe connection not included



CBV d 50-400



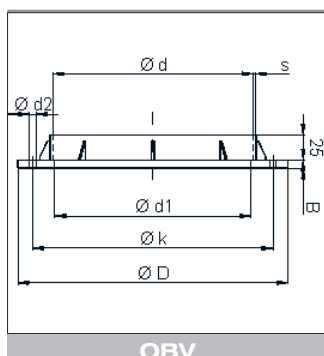
CBV d 400-1250

AFSLUITKAPPEN
BOUCHONS
END CAPS

DONKERGRIJS RAL 7011
GRIS FONCÉ RAL 7011
DARK GREY RAL 7011

d	D	L	L1	s	KG/ST/PC	€/ST/PC
50	65	25	22	3.0	0.1	13.15
63	80	25	22	3.0	0.1	13.15
75	90	25	22	3.0	0.1	13.15
90	105	25	22	3.0	0.1	16.73
110	140	25	28	3.5	0.2	13.15
125	155	25	28	3.0	0.2	13.15
140	175	25	28	3.0	0.2	19.13
160	190	25	28	3.0	0.3	19.13
180	215	25	28	3.0	0.3	21.50
200	235	25	28	3.0	0.3	21.50
225	255	25	29	4.0	0.4	29.87
250	285	25	29	4.0	0.6	32.26
280	315	25	30	4.0	0.7	38.23
315	355	25	27	4.0	0.9	40.63
355	400	25	30	4.0	1.2	45.39
400	440	25	30	4.0	1.4	51.37
450	480	65	60	3.6	2.4	115.88
500	530	65	60	4.0	2.5	124.25
600	630	75	70	5.0	3.8	156.51
700	730	90	80	6.0	5.2	205.49
800	850	90	80	6.3	7.9	234.17
900	950	110	100	7.0	10.7	313.01
1000	1050	110	100	8.0	13.3	388.29
1250	1300	130	120	10.4	24.2	*

* prijs op aanvraag / prix sur demande / price on request

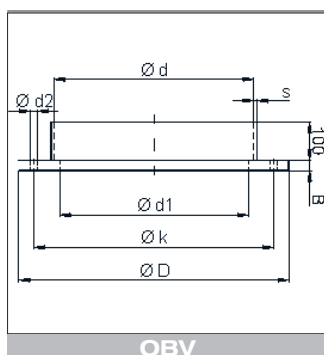


OPLIJMFLENZEN
BRIDES A COLLER
SOCKET FLANGES

DONKERGRIJS RAL 7011
GRIS FONCÉ RAL 7011
DARK GREY RAL 7011

d	D	B	s	k	d2	n	d1	KG ST/PC	€/ST/PC flens/bride/flange	€/ST/PC EPDM dichting/joint/seal
50	100	8	3.0	80	7	4	46	0.1	11.08	6.43
63	120	8	3.0	100	7	4	59	0.1	11.08	6.43
75	135	8	3.0	115	7	4	71	0.2	11.08	6.43
90	150	8	3.0	130	7	4	86	0.2	11.08	6.65
110	170	8	4.0	150	7	4	106	0.2	13.51	7.31
125	185	8	4.0	165	7	8	121	0.2	13.51	8.20
140	200	8	4.0	175	7	8	136	0.3	13.51	8.87
160	230	8	4.0	200	7	8	156	0.4	13.51	9.98
180	250	8	4.0	225	7	8	176	0.4	16.73	11.51
200	270	8	4.0	240	7	8	196	0.4	16.73	12.39
225	295	8	4.0	265	7	8	221	0.5	16.73	13.51
250	320	10	4.0	290	7	12	246	0.5	16.73	14.42
280	360	10	4.0	325	9	12	274	0.8	19.27	16.40
315	395	10	4.5	350	9	12	309	0.9	30.13	18.61
355	435	10	6.0	400	9	12	349	1.0	30.13	21.27
400	480	10	6.5	445	9	16	394	1.1	32.80	24.16

n = aantal gaten / nombre de trous / number of holes



OPLIJMFLENZEN
BRIDES A COLLER T
SOCKET FLANGES

DONKERGRIJS RAL 7011
GRIS FONCÉ RAL 7011
DARK GREY RAL 7011

Uit plaat gedraaid
Tournées hors plaque
Turned out of sheet

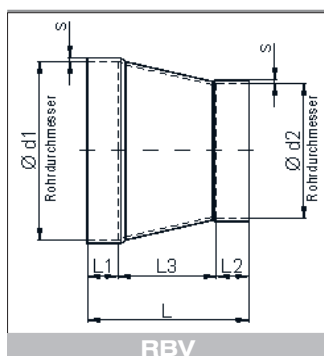
d	D	d1	s	B	k	d2	n	KG ST/PC	€/ST/PC 1	€/ST/PC 2	€/ST/PC 3
450	530	442	4	10	495	9	16	1.8	291.51	307.04	90.18
500	580	490	5	10	545	9	20	2.1	340.48	366.78	107.91
600	730	588	6	12	690	11	24	3.3	408.60	407.39	128.95
700	810	688	6	12	770	11	24	4.4	485.04	512.53	351.21
800	900	788	6	12	860	11	28	5.4	621.25	677.40	418.36
900	1000	884	8	12	960	11	32	6.6	812.40	812.40	627.30
1000	1100	984	8	12	1060	11	32	8.3	1062.08	1062.08	836.68

n = aantal gaten / nombre de trous / number of holes

1 = zonder groef / sans siège pour joint torique / without seat for O-ring gaskets

2 = met groef / avec siège pour joint torique / with seat for O-ring gaskets

3 = vlakke dichting / joint plat / seal flat: EPDM



CONCENTRISCHE REDUCTIES
REDUCTIONS CONCENTRIQUES
CONCENTRIC REDUCERS

DONKERGRIJS RAL 7011
GRIS FONCÉ RAL 7011
DARK GREY RAL 7011

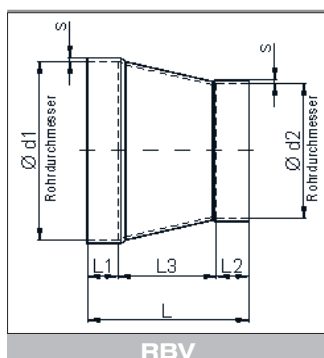
Beide zijden gemoft
Manchonnées des deux côtés
Solvent welding sleeves on both ends.

RBV

d1	d2	L3	L2	L1	L	S	€/ST/PC
63	50	20	35	25	80	3	43.01
75	50	45	35	35	115	3	43.01
75	63	35	25	35	95	3	43.01
90	50	75	35	35	145	3	51.37
90	63	70	25	35	130	3	51.37
90	75	40	35	35	110	3	22.78
110	50	100	35	40	175	3	77.66
110	63	100	25	40	165	3	77.66
110	75	95	35	40	170	3	25.63
110	90	65	35	35	135	3	25.63
125	50	140	35	40	215	3	86.01
125	63	140	25	40	205	3	86.01
125	75	120	35	40	195	3	86.01
125	90	90	35	40	165	3	86.01
125	110	45	35	40	120	3	28.23
140	50	165	35	40	240	3	92.00
140	63	160	25	40	225	3	92.00
140	75	140	35	40	215	3	92.00
140	90	110	35	40	185	3	92.00
140	110	65	40	40	145	3	32.63
140	125	23	40	40	103	3	47.61
160	63	195	25	40	260	3	129.02
160	75	175	35	40	250	3	129.02
160	90	145	35	40	220	3	129.02
160	110	115	35	40	190	3	35.91
160	125	65	40	40	145	3	59.99
160	140	55	40	40	135	3	55.61
180	50	245	35	50	330	3	124.25
180	75	220	35	50	305	3	124.25
180	90	195	35	50	280	3	96.77
180	110	150	40	50	240	3	66.99
180	125	120	40	50	210	3	62.19
180	140	95	40	50	185	3	62.13
180	160	40	50	50	140	3	49.05
200	50	275	35	50	360	3	83.64
200	75	255	35	50	340	3	83.64
200	90	225	35	50	310	3	81.24
200	110	210	40	50	300	3	40.63
200	125	155	40	50	245	3	56.15
200	140	130	40	50	220	3	56.15
200	160	95	50	50	195	3	35.25
200	180	45	50	50	145	3	45.39
225	50	320	35	50	405	3	170.14
225	90	265	35	50	350	3	121.86
225	110	210	40	50	300	3	121.86
225	125	200	40	50	290	3	62.13
225	140	170	40	50	260	3	62.13
225	160	135	40	50	225	3	43.01
225	180	110	50	50	210	3	81.24
225	200	55	50	50	155	3	48.99

d1	d2	L3	L2	L1	L	S	€/ST/PC
250	50	385	35	50	470	3	*
250	63	380	25	50	455	3	*
250	90	315	35	50	400	3	115.88
250	110	255	40	50	345	3	115.88
250	125	250	40	50	340	3	64.51
250	140	215	40	50	305	3	56.15
250	160	195	40	50	285	3	48.99
250	180	165	50	50	265	3	51.37
250	200	115	50	50	215	3	48.99
250	225	65	50	50	165	3	45.39
280	110	310	40	50	400	3	135.01
280	125	300	40	50	390	3	135.01
280	140	270	40	50	360	3	135.01
280	160	235	50	50	335	3	81.24
280	180	195	50	50	295	3	75.27
280	200	160	50	50	260	3	51.37
280	225	160	50	50	260	4	75.27
280	250	110	50	50	210	4	48.99
315	110	380	40	50	470	3	133.14
315	125	370	40	50	460	3	133.14
315	140	345	40	50	435	3	133.14
315	160	305	40	50	395	3	88.60
315	180	270	40	50	360	3	120.99
315	200	230	50	50	330	3	110.43
315	225	185	50	50	285	3	112.34
315	250	140	50	50	240	4	62.19
315	280	90	50	50	190	4	85.41
355	160	370	50	50	470	4	139.78
355	180	335	50	50	435	4	139.78
355	200	300	50	50	400	3	92.00
355	225	250	50	50	350	3	94.38
355	250	205	50	50	305	4	91.97
355	280	150	50	50	250	4	83.64
355	315	90	50	60	200	4	145.75
400	160	465	50	60	575	4	150.54
400	180	430	50	60	540	4	150.54
400	200	390	50	60	500	4	150.54
400	225	345	50	60	455	4	100.72
400	250	305	50	60	415	4	100.72
400	280	235	50	60	345	4	100.72
400	315	180	50	60	290	4	105.14
400	355	115	50	60	225	4	105.55
450	200	480	50	60	590	4	172.13
450	225	435	50	60	545	4	171.68
450	250	385	50	60	495	4	170.81
450	280	330	50	60	440	4	169.06
450	315	260	50	60	370	4	166.00
450	355	195	50	60	305	4	161.17
450	400	115	60	60	235	4	156.14

* op aanvraag / sur demande / on request

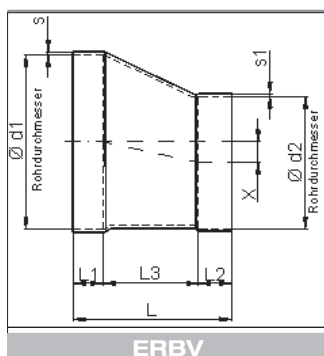


CONCENTRISCHE REDUCTIES
REDUCTIONS CONCENTRIQUES
CONCENTRIC REDUCERS

DONKERGRIJS RAL 7011
GRIS FONCÉ RAL 7011
DARK GREY RAL 7011

Beide zijden gemoft
Manchonnées des deux côtés
Solvent welding sleeves on both ends.

d1	d2	L3	L2	L1	L	S	€/ST/PC
500	200	560	50	50	660	4	214.87
500	225	515	50	50	615	4	214.40
500	250	465	50	70	585	4	214.40
500	280	410	50	70	530	4	209.24
500	315	350	65	65	480	4	207.83
500	355	285	50	65	400	5	206.20
500	400	210	55	70	335	5	199.15
500	450	120	60	70	250	5	193.31
600	280	600	50	70	720	5	612.32
600	315	530	50	70	650	5	612.32
600	355	460	50	70	580	6	605.93
600	400	395	55	70	520	5	649.37
600	450	310	60	70	440	6	618.71
600	500	215	60	70	345	6	589.52
700	315	720	50	80	850	6	649.37
700	355	645	50	80	775	6	651.95
700	400	560	60	80	700	6	651.95
700	450	520	60	90	670	6	697.97
700	500	425	60	90	575	6	660.89
700	600	185	70	80	335	6	610.83
800	355	830	50	80	960	6	844.99
800	400	745	60	80	885	6	844.99
800	450	655	60	80	795	6	844.99
800	500	595	60	100	755	6	924.22
800	600	360	90	100	550	6	848.81
800	700	195	90	100	385	6	774.67
900	400	935	70	120	1125	8	1000.60
900	450	840	60	100	1000	8	977.92
900	500	745	60	100	905	8	922.94
900	600	560	70	100	730	8	1027.77
900	700	375	80	100	555	8	897.38
900	800	375	80	100	555	8	894.84
1000	500	935	60	100	1095	8	1313.92
1000	600	745	70	100	915	8	1288.11
1000	700	560	80	100	740	8	1250.92
1000	800	375	80	100	555	8	1197.00
1000	900	185	100	100	385	8	1129.59
1250	600	1215	70	120	1405	10	1701.37
1250	700	1025	80	120	1225	10	1664.19
1250	800	840	80	120	1040	10	1613.05
1250	900	655	100	120	875	10	1543.32
1250	1000	465	100	120	685	10	1464.29
1400	700	1305	80	175	1560	10	2356.76
1400	800	1120	80	175	1375	10	2287.06
1400	900	930	100	175	1205	10	2201.07
1400	1000	745	125	175	1045	10	2096.49
1400	1250	280	125	175	580	10	1766.46



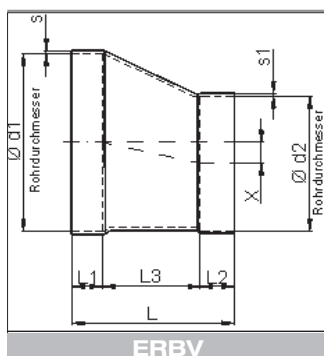
EXCENTRISCHE REDUCTIES
REDUCTIONS EXCENTRIQUES
EXCENTRIC REDUCERS

DONKERGRIJS RAL 7011
GRIS FONCÉ RAL 7011
DARK GREY RAL 7011

Beide zijden gemoft.
Manchonnées des deux côtés.
Solvent welding sleeves on both ends.

d1	d2	L3	L2	L1	L	S/S1	X	€/ST/PC	d1	d2	L3	L2	L1	L	S/S1	X	€/ST/PC
63	50	20	35	35	90	3/3	6.5	81.24	250	90	275	35	50	360	3/3	80.0	161.28
75	50	45	35	35	115	3/3	12.5	81.24	250	110	240	40	50	330	3/3	70.0	164.87
75	63	20	35	35	90	3/3	6.0	81.24	250	125	215	40	50	305	3/3	62.5	172.04
90	50	70	35	35	140	3/3	20.0	81.24	250	140	190	40	50	280	3/3	55.0	175.63
90	63	45	35	35	115	3/3	13.5	81.24	250	160	155	40	50	245	3/3	45.0	156.30
90	75	25	35	35	95	3/3	7.5	70.55	250	180	120	50	50	220	3/3	35.0	169.98
110	50	105	35	40	180	3/3	30.0	81.24	250	200	85	50	50	185	3/3	25.0	174.74
110	63	80	35	40	155	3/3	23.5	83.64	250	225	45	50	50	145	3/3	12.5	182.35
110	75	60	35	40	135	3/3	17.5	86.01	280	110	295	40	50	385	3/3	85.0	218.63
110	90	35	35	40	110	3/3	10.0	74.02	280	125	270	40	50	360	3/3	77.5	221.02
125	50	130	35	40	205	3/3	37.5	81.24	280	140	240	40	50	330	3/3	70.5	223.40
125	63	105	35	40	180	3/3	31.0	83.64	280	160	210	40	50	300	3/3	60.0	226.99
125	75	85	35	40	160	3/3	25.0	86.01	280	180	175	50	50	275	3/3	50.0	229.38
125	90	60	35	40	135	3/3	17.5	88.40	280	200	140	50	50	240	3/3	40.0	234.17
125	110	25	40	40	105	3/3	7.5	83.14	280	225	95	50	50	195	3/3	27.5	234.17
140	63	135	35	40	210	3/3	38.5	104.63	280	250	50	50	50	150	3/3	15.0	208.40
140	75	115	35	40	190	3/3	32.5	106.59	315	110	375	40	50	445	3/3	100.0	272.39
140	90	85	35	40	160	3/3	25.0	109.62	315	125	330	40	50	420	3/3	95.0	272.39
140	110	50	40	40	130	3/3	15.0	85.74	315	140	305	40	50	395	3/3	87.5	274.79
140	125	25	40	40	105	3/3	7.5	98.76	315	160	270	40	50	360	3/3	77.5	278.36
160	63	170	35	40	245	3/3	48.5	130.90	315	180	235	40	50	325	3/3	67.5	280.76
160	75	145	35	40	220	3/3	42.5	135.67	315	200	200	50	50	300	3/3	57.5	280.76
160	90	120	35	40	195	3/3	35.0	136.98	315	225	155	50	50	255	3/3	45.0	280.76
160	110	85	40	40	165	3/3	25.0	128.09	315	250	115	50	50	215	3/3	32.5	258.31
160	125	60	40	40	140	3/3	17.5	112.87	315	280	60	50	50	160	3/3	17.5	271.34
160	140	35	40	40	115	3/3	10.0	112.87	355	160	340	40	50	430	3/3	97.5	283.14
180	50	225	35	50	310	3/3	65.0	152.61	355	180	305	40	50	395	3/3	87.5	289.12
180	75	180	35	50	265	3/3	52.5	151.74	355	200	270	50	50	370	3/3	77.5	289.12
180	90	155	35	50	240	3/3	45.0	153.25	355	225	225	50	50	325	3/3	65.0	283.14
180	110	120	40	50	210	3/3	35.0	155.21	355	250	180	50	50	280	3/3	52.5	288.71
180	125	95	40	50	185	3/3	27.5	153.25	355	280	130	50	50	230	3/3	37.5	302.26
180	140	70	40	50	160	3/3	20.0	149.79	355	315	70	50	50	170	3/3	20.0	234.17
180	160	35	40	50	125	3/3	10.0	128.09	400	160	415	40	60	515	3/3	120.0	328.55
200	75	115	35	50	200	3/3	62.5	156.51	400	180	380	40	60	480	3/3	110.0	336.91
200	90	200	35	50	285	3/3	55.0	161.28	400	200	345	50	60	455	3/3	100.0	342.87
200	110	155	40	50	245	3/3	45.0	161.28	400	225	305	50	60	415	3/3	87.5	345.27
200	125	130	40	50	220	3/3	37.5	164.87	400	250	260	50	60	370	3/3	75.0	347.65
200	140	105	40	50	195	3/3	30.0	169.66	400	280	210	50	60	320	3/3	60.0	353.64
200	160	70	40	50	160	3/3	20.0	165.64	400	315	150	50	60	260	3/3	42.5	264.02
200	180	35	50	50	135	3/3	10.0	161.28	400	355	80	50	60	190	3/3	22.5	278.36
225	90	335	35	50	320	3/3	67.5	162.80	450	200	435	50	60	545	4/4	125.0	590.19
225	110	200	40	50	290	3/3	57.5	164.87	450	225	390	50	60	500	4/4	112.5	561.50
225	125	175	40	50	265	3/3	50.0	169.66	450	250	345	50	60	455	4/4	100.0	514.91
225	140	145	40	50	235	3/3	42.5	172.04	450	280	295	50	60	405	4/4	85.0	523.28
225	160	115	40	50	205	3/3	32.5	172.58	450	315	235	50	60	345	4/4	67.5	583.00
225	180	90	50	50	190	3/3	22.5	175.63	450	355	165	50	60	275	4/4	47.5	550.76
225	200	45	50	50	145	3/3	12.5	158.90	450	400	85	50	60	195	4/4	25.0	512.53

* op aanvraag / sur demande / on request



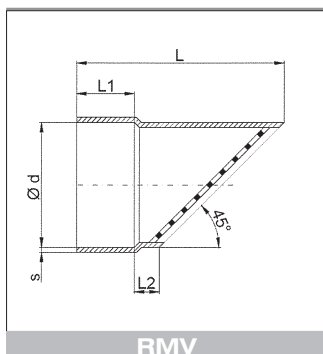
EXCENETRISCHE REDUCTIES
REDUCTIONS EXCENTRIQUES
EXCENTRIC REDUCERS

DONKERGRIJS RAL 7011
GRIS FONCÉ RAL 7011
DARK GREY RAL 7011

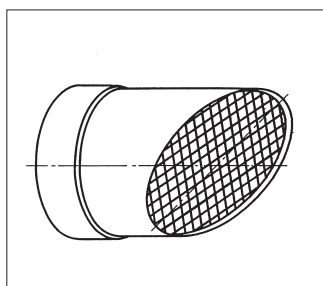
Beide zijden gemoft.
Manchonnées des deux côtés.
Solvent welding sleeves on both ends.

d1	d2	L3	L2	L1	L	S	S1	X	€/ST/PC
500	200	520	50	60	630	4	4	150	671.43
500	225	475	50	60	585	4	4	138	677.40
500	250	435	50	60	545	4	4	125	677.40
500	280	380	50	60	490	4	4	110	660.66
500	315	320	50	60	430	4	4	93	660.66
500	355	250	50	60	360	4	4	73	688.15
500	400	175	60	60	295	4	4	50	655.90
500	450	85	60	60	205	4	4	25	615.27
600	280	555	50	90	695	5	3	160	841.06
600	315	495	50	90	635	5	3	143	847.04
600	355	425	50	90	565	5	4	123	841.06
600	400	345	60	90	495	5	4	100	894.84
600	450	260	60	90	410	5	4	75	851.82
600	500	175	60	90	325	5	4	50	808.82
700	315	665	45	90	800	6	3	192.5	894.84
700	355	600	45	80	725	6	4	172.5	898.41
700	400	520	40	80	640	6	4	150.0	900.81
700	450	435	50	80	565	6	4	125.0	962.93
700	500	345	55	80	480	6	4	100.0	909.17
700	600	175	55	80	310	6	5	50.0	838.67
800	355	770	50	90	910	6	4	222.5	1164.83
800	400	695	60	90	845	6	4	200.0	1164.83
800	450	605	60	90	755	6	4	175.0	1164.83
800	500	520	60	90	670	6	4	150.0	1273.55
800	600	345	90	90	525	6	5	100.0	1170.81
800	700	175	90	90	355	6	6	50.0	1065.67
900	400	866	60	125	1051	8	8	250.0	*
900	450	780	60	125	965	7	4	225.0	1348.81
900	500	695	60	125	880	7	4	200.0	1273.55
900	600	520	90	125	735	7	5	150.0	1437.22
900	700	345	90	125	560	7	6	100.0	1232.92
900	800	175	90	125	390	7	6	50.0	1232.92
1000	500	865	55	125	1045	8	4	250.0	1518.46
1000	600	695	55	125	875	8	5	200.0	1434.83
1000	700	520	80	125	725	8	6	150.0	1269.97
1000	800	345	80	125	550	8	6	100.0	1480.23
1000	900	175	100	125	400	8	7	50.0	1428.87
1250	600	1125	55	125	1305	10	5	325.0	2040.45
1250	700	955	80	125	1160	10	6	275.0	1942.84
1250	800	780	80	125	985	10	6	225.0	1910.25
1250	900	605	100	125	830	10	7	175.0	1906.03
1250	1000	435	125	125	685	10	8	125.0	1892.88
1400	700	1215	80	175	1470	10	6	350.0	1879.26
1400	800	1040	80	175	1295	10	6	300.0	1747.85
1400	900	865	100	175	1140	10	7	250.0	1625.99
1400	1000	695	125	175	995	10	8	200.0	1623.61
1400	1250	260	125	175	560	10	10	75.0	1640.32

* prijs op aanvraag / prix sur demande / price on request



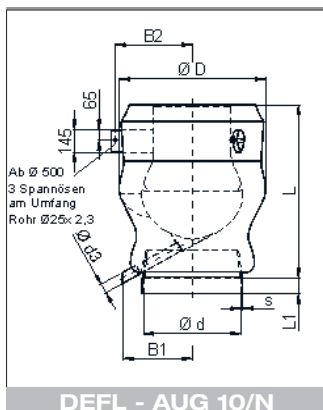
RMV



VERLUCHTINGSROOSTERS, 58% VRIJE DOORLAAT
SOUPAPES D'ASPIRATION, 58 % DE PASSAGE LIBRE
EXHAUST VALVES, FREE CROSS-SECTION 58%

D	L	L1	L2	s	KG/ST/PC	€/ST/PC
50	135	35	50	2.5	0.1	48.99
63	145	35	50	2.5	0.1	59.74
75	165	35	45	2.5	0.1	72.87
90	170	35	50	2.5	0.1	86.01
110	190	40	45	3.0	0.2	105.14
125	220	45	55	2.5	0.2	107.51
140	230	40	45	2.5	0.2	115.88
160	260	50	45	2.5	0.2	124.25
180	280	50	50	2.5	0.3	137.84
200	310	55	50	2.5	0.4	151.74
225	330	50	55	2.5	0.5	178.01
250	360	55	60	3.0	0.6	191.16
280	390	50	60	2.9	0.8	221.02
315	425	50	65	4.0	1.3	253.28
355	480	65	65	4.0	1.6	304.64
400	520	60	60	6.0	2.4	359.60
450	580	70	60	4.0	3.0	722.79
500	620	65	55	4.7	4.4	858.99
600	730	70	60	6.0	6.2	1375.10

met RVS rooster / avec grille en acier inoxydable / with stainless steel grid : + 10%



DEFL - AUG 10/N

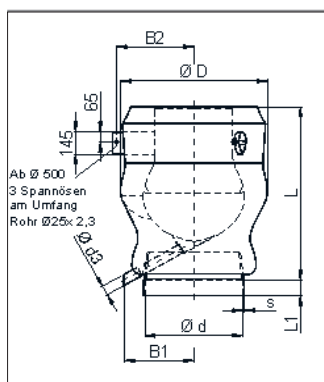
DEFLEKTORKAPPEN
CAPOTS A DEFLECTEUR
DEFLECTION CAPS

DONKERGRIJS RAL 7011
GRIS FONCÉ RAL 7011
DARK GREY RAL 7011

Met lijmmoffen, op aanvraag flensaansluiting
Avec manchon, sur demande avec bride
With socket end, on request with flange

d	D	L	L1	s	B1	B2	d3	KG/ST/PC	€/ST/PC
110	170	240	40	3	80	-	16	0.5	280.76
125	185	265	40	3	90	-	20	0.6	308.23
140	200	295	40	3	100	-	20	1.1	353.64
160	230	335	40	3	115	-	25	1.3	384.70
180	250	365	50	3	130	-	25	1.5	413.37
200	270	385	50	3	150	-	25	2.2	440.84
225	295	450	50	3	156	-	25	2.5	501.77
250	320	495	60	3	185	-	25	3.3	529.26
280	360	550	50	3	205	-	25	3.7	594.96
315	395	620	50	3	235	-	32	5.5	653.49
355	435	690	50	4	260	-	32	6.2	720.41
400	595	720	70	4	290	-	40	9.0	764.60
450	595	720	65	4	290	-	40	9.5	973.68
500	760	920	100	6	370	410	50	13.5	1183.95
560	860	975	100	6	405	455	50	22.8	*
600	935	1135	100	6	450	490	63	28.6	1528.02
630	935	1135	100	6	450	490	63	44.5	*

Andere diameters: op aanvraag / Autres diamètres : sur demande / Other diameters on request
Drukval bij 10 m/sec./ Pression à 10 m/sec. / Pressure drop at 10 m/sec. : 94 pa



DEFLEKTORKAPPEN
CAPOTS A DEFLECTEUR
DEFLECTION CAPS

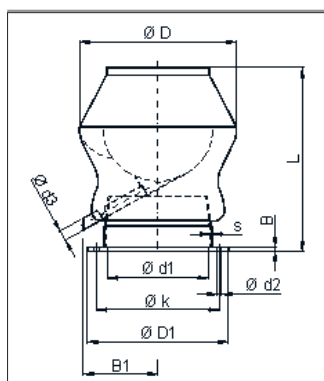
DEFLEKTORKAPPEN
CAPOTS A DEFLECTEUR
DEFLECTION CAPS

DONKERGRIJS RAL 7011
GRIS FONCÉ RAL 7011
DARK GREY RAL 7011

Met lijmmoffen, op aanvraag flensaansluiting
Avec manchon, sur demande avec bride
With socket end, on request with flange

d	D	L	L1	s	B1	B2	d3	KG/ST/PC	€/ST/PC AUG 10.10/BY
110	170	240	40	3	80	-	20	0.5	304.64
125	185	265	40	3	90	-	20	0.6	344.07
140	200	295	40	3	100	-	20	1.1	387.07
160	230	335	40	3	115	-	25	1.3	424.11
180	250	365	50	3	130	-	25	1.5	458.76
200	270	385	50	3	150	-	25	2.2	489.84
225	295	450	50	3	156	-	25	2.5	560.31
250	320	495	60	3	185	-	25	3.3	592.57
280	360	550	50	3	205	-	25	3.7	669.04
315	395	620	50	3	235	-	32	5.5	721.60
355	435	690	50	4	260	-	32	6.2	801.64
400	595	720	70	4	290	-	40	9.0	860.18
450	595	720	65	4	290	-	40	9.5	1099.11
500	760	920	100	6	370	410	50	13.5	1361.95
560	860	975	100	6	405	455	50	22.8	*
600	935	1135	100	6	450	490	63	28.6	1732.30
630	935	1135	100	6	450	490	63	44.5	*

Andere diameters: op aanvraag / Autres diamètres : sur demande / Other diameters on request
Drukval bij 10 m/sec./ Pression à 10 m/sec. / Pressure drop at 10 m/sec. : **94 pa**



DEFLEKTORKAPPEN
CAPOTS A DEFLECTEUR
DEFLECTION CAPS

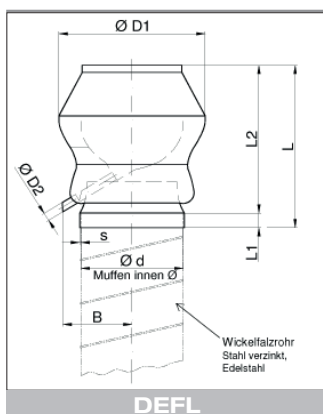
DEFLEKTORKAPPEN
CAPOTS A DEFLECTEUR
DEFLECTION CAPS

DONKERGRIJS RAL 7011
GRIS FONCÉ RAL 7011
DARK GREY RAL 7011

Met lijmmoffen, op aanvraag flensaansluiting
Avec manchon, sur demande avec bride
With socket end, on request with flange

d	D	L	L1	s	B1	B2	d3	KG/ST/PC	€/ST/PC DSB
110	170	215	40	3	80	-	20	0.5	254.47
125	185	240	40	3	90	-	20	0.6	261.64
140	200	260	40	3	100	-	20	0.6	264.02
160	230	290	40	3	115	-	25	0.8	273.59
180	250	310	50	3	130	-	25	1.5	277.18
200	270	340	50	3	150	-	25	1.7	281.94
225	295	385	50	3	156	-	25	2.5	303.45
250	320	420	50	3	185	-	25	2.7	308.23
280	360	465	50	3	205	-	25	3.0	384.70
315	395	515	50	3	235	-	32	4.6	393.06
355	435	575	50	4	260	-	32	6.3	585.40
400	480	635	60	4	290	-	40	7.3	661.86

Andere diameters: op aanvraag / Autres diamètres : sur demande / Other diameters on request
Drukval bij 10 m/sec./ Pression à 10 m/sec. / Pressure drop at 10 m/sec. : **132 pa**



DEFL

DEFLEKTORKAPPEN
CAPOTS A DEFLECTEUR
DEFLECTION CAPS

WIT, UV GESTABILISEERD
BLANC, UV STABILISÉ
WHITE, UV STABILIZED

Met lijmmoffen, voor aansluiting op gegalvaniseerd staal.
Avec manchon, pour raccordement sur galvanisé.
With socket end, for connection on galvanized steel.

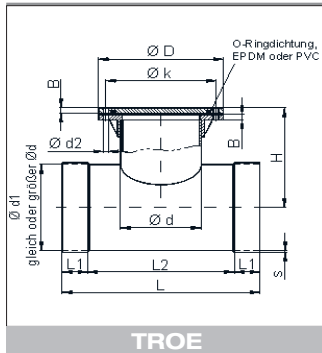
d	d +/- 0.5	D1	D2	L	L1	L2	B	S	KG/ST/PC	€/ST/PC
110	103	162	16	235	30	205	85	3	0.5	291.51
160	153	238	25	315	45	270	118	3	1.3	315.41
200	203	296	25	360	50	310	145	3	1.8	323.77
250	253	378	32	435	60	375	188	3	2.3	356.02
315	319	465	40	495	50	445	235	3	3.9	452.80
400	404	596	50	705	70	635	340	6	4.8	761.02



DEFL

VOGELVERSCHRIKKER
PROTECTION OISEAU
BIRD PROTECTION

d 110 - 315: **69.29 €/ST/PC**
d 355 - 630: **174.42 €/ST/PC**



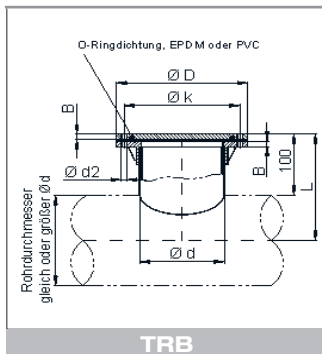
TROE

T-STUK MET REINIGINGSOPENING
TES REDUITS AVEC ORIFICE DE NETTOYAGE
T-PIECES WITH CLEANING EYE

d	d1	L	L1	L2	s	H	D	B	K	d2	n	€/ST/PC
110	110	225	40	145	3.0	100	170	8	150	7	4	97.96
125	125	285	50	185	3.0	105	185	8	165	7	8	102.74
140	140	295	45	205	3.0	115	200	8	175	7	8	111.11
160	160	330	40	250	4.5	125	230	8	200	7	8	121.86
180	180	380	55	270	3.2	135	250	8	220	7	8	130.24
200	200	385	50	285	5.0	145	270	8	240	7	8	143.36
225	225	455	60	335	3.5	155	295	8	265	7	8	161.28
250	250	415	50	315	5.0	170	320	8	290	7	12	205.49
280	250	460	50	360	3.2	185	320	8	290	7	12	270.00
315	250	525	55	415	3.2	200	320	8	290	7	12	344.07
355	250	560	50	460	5.0	220	320	8	290	7	12	426.50
400	250	610	60	490	4.0	245	320	8	290	7	12	475.48

n = aantal gaten / nombre de trous / number of holes

Opmerking: De bouten voor het deksel zijn niet inbegrepen.
Remarque: Les boulons de fixation du couvercle ne sont pas inclus.
Remark: The bolts for the cover are not included.



TRB

REINIGINGSOPENING
ORIFICE DE NETTOYAGE
CLEANING EYE

d	L	D	B	K	d2	n	€/ST/PC
110	155	170	8	150	7	4	116.06
125	165	185	8	165	7	8	131.68
140	170	200	8	175	7	8	143.50
160	180	230	8	200	7	8	154.66
180	190	250	8	225	7	8	162.92
200	200	270	8	240	7	8	176.76
225	215	295	8	265	7	8	185.02
250	225	320	10	290	7	12	193.28
280	240	360	10	325	9	12	198.86
315	260	395	10	350	9	12	207.34
355	280	435	10	400	9	12	242.60
400	300	480	10	445	9	16	304.87

n = aantal gaten / nombre de trous / number of holes

Opmerking: De bouten voor het deksel zijn niet inbegrepen.
Remarque: Les boulons de fixation du couvercle ne sont pas inclus.
Remark: The bolts for the cover are not included.