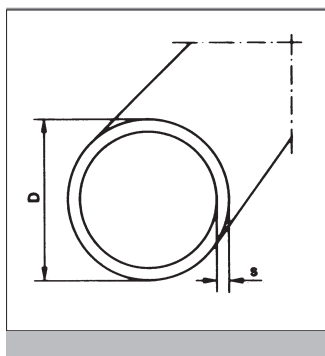




buizen
tuyaux
pipes

POLYPURE / PP naturel



DRUKBUIS
TUYAU DE PRESSION
PRESSURE PIPE

L = 5 m

S-5 / SDR 11

D	S	KG/M	€/M
20	1.9	0.107	9.83
25	2.3	0.164	12.98
32	2.9	0.260	16.42
40	3.7	0.412	21.94
50	4.6	0.638	34.02
63	5.8	1.010	39.42
90	8.2	2.020	43.64
110	10.0	3.010	83.01

Eveneens leverbaar in "PURE" uitvoering :

PVDF
PP grijs

diam. 20 t.e.m. diam.315
diam. 20 t.e.m. diam.315

Egalement livrable en exécution "PURE" :

PVDF
PP gris

diam. 20 à diam. 315
diam. 20 à diam. 315

Also available in "PURE" finishing :

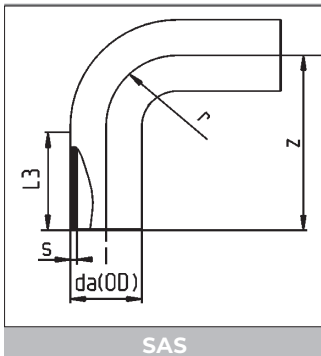
PVDF
PP grey

diam. 20 up to diam. 315
diam. 20 up to diam. 315



stomplasmafittings - IR
 raccords pour le soudage bout à bout - IR
 fittings for butt welding - IR

POLYPURE / PP naturel



MULTI-BOCHTEN 90°
 MULTI-COURBES A 90°
 MULTI-BENDS 90°

Gespoten.
 Injectés.
 Moulded.

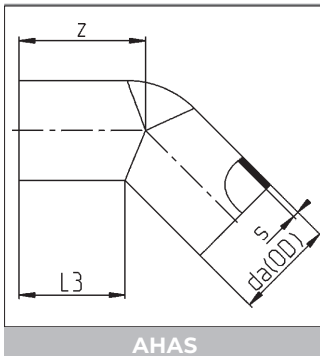
ISO S-5/SDR 11

da	L3	r	Z ²³	S	KG/ST/PC	€/ST/PC
20	40.0	20	60.0	1.9	0.02	14.45
25	42.5	25	68.5	2.3	0.02	15.04
32	47.0	32	79.0	2.9	0.04	15.95
40	52.0	40	92.5	3.7	0.07	20.54
50	58.5	50	108.5	4.6	0.13	22.60
63	66.5	63	129.5	5.8	0.25	32.87
90	76.0	90	168.0	8.2	0.62	43.64
110	82.0	110	192.0	10.0	1.10	83.02



stomplasmafittings - IR
raccords pour le soudage bout à bout - IR
fittings for butt welding - IR

POLYPURE / PP naturel



AHAS

KNIEEN 45°
COUDES A 45°
ELBOWS 45°

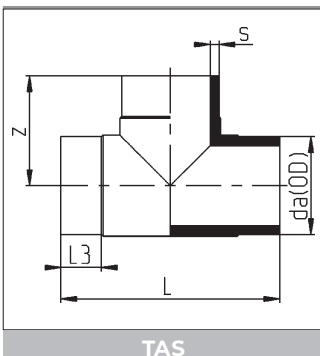
Gespoten, met verlengde benen.
Ook geschikt voor electromoflas.

Coudes injectés, à branches allongées.
Convient aussi pour l'electro-soudage dans l'emboîture.

Moulded, elongated.
Also suitable for electro socket welding.

SDR 11

da	L3 ^{±1.5}	Z ^{±1.5}	S	KG/ST/PC	€/ST/PC
20	39	44	1.9	0.01	19.76
25	42	48	2.3	0.02	21.16
32	49	57	2.9	0.03	25.61
40	53	63	3.7	0.06	27.91
50	57	70	4.6	0.09	31.65
63	67	80	5.8	0.16	57.81
90	82	104	8.2	0.45	62.04
110	85	114	10.0	0.69	118.86



TAS

T-STUKKEN 90°
TES A 90°
TEES 90°

Gespoten.
Injectés.
Moulded.

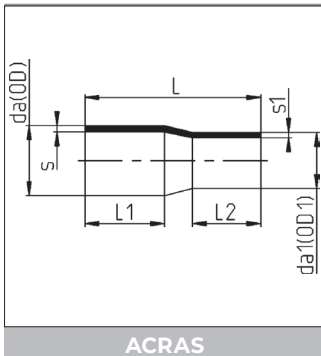
SDR 11

da	L	L3	z	S	KG/ST/PC	€/ST/PC
20	68	17.5	34	1.9	0.01	13.11
25	80	20.5	40	2.3	0.03	13.98
32	90	20.5	45	2.9	0.04	16.14
40	100	20.5	50	3.7	0.06	22.26
50	120	23.0	60	4.6	0.11	25.10
63	144	25.0	72	5.8	0.21	39.30
90	213	38.0	105	8.2	0.69	79.31
110	253	51.0	122	10.0	1.18	116.50



stomplasmafittings - IR
 raccords pour le soudage bout à bout - IR
 fittings for butt welding - IR

POLYPURE / PP naturel



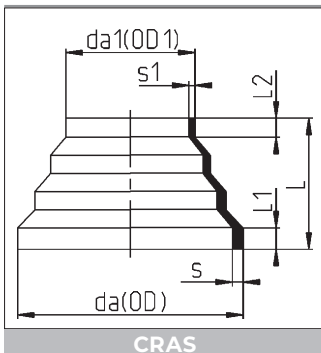
ACRAS

CONCENTRISCHE VERLOOPSTUKKEN VERLENGD
 REDUCTIONS CONCENTRIQUES ALLONGEES
 CONCENTRIC REDUCERS ELANGATED

Gespoten. Ook geschikt voor electromoflas.
 Injectées. Convient également pour l'électrosoudage.
 Moulded. Also suitable for electro socket welding.

SDR 11

da / da1	L1 ^{±1.5}	L2 ^{±1.5}	L ^{±3}	S1	S	KG/ST/PC	€/ST/PC
25 / 20	41.5	41.5	88	1.9	2.3	0.01	13.14
32 / 20	45.5	40.0	92	1.9	2.9	0.02	15.64
32 / 25	44.0	41.0	92	2.3	2.9	0.02	15.64
40 / 32	51.0	45.0	104	2.9	3.7	0.04	22.26
50 / 25	55.0	44.0	118	2.3	4.6	0.05	27.50
50 / 32	59.0	46.0	118	2.9	4.6	0.06	27.50
63 / 32	64.0	49.0	136	2.9	5.8	0.10	36.33
63 / 50	66.0	59.0	150	4.6	5.8	0.13	36.33



CRAS

CONCENTRISCHE VERLOOPSTUKKEN
 REDUCTIONS CONCENTRIQUES
 CONCENTRIC REDUCERS

Gespoten.
 Injectés.
 Moulded.

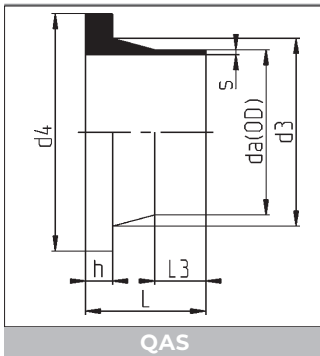
SDR 11

da / da1	L1 ^{±3}	L2 ^{±3}	L ^{±3}	S1	S	KG/ST/PC	€/ST/PC
63 / 16	10	8	97	1.8	5.8	0.04	21.79
110 / 63	9	6	62	5.8	10.0	0.13	31.79



stomplasfittings - IR
raccords pour le soudage bout à bout - IR
fittings for butt welding - IR

POLYPURE / PP naturel

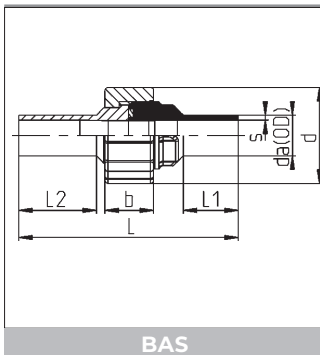


VOORLASKRAGEN
COLLETS
STUBS

Gespoten.
Injectées.
Moulded.

SDR 11

da	d3	d4 ^{-1.5}	h	L3	L	S	KG/ST/PC	€/ST/PC
20	27 ⁻³	45	7 ⁺¹	30 ^{+1.5}	52 ^{+3.5}	1.9	0.01	17.57
25	33 ⁻³	58	9 ⁺¹	25 ^{+1.5}	52 ^{+3.5}	2.3	0.03	17.64
32	40 ⁻³	68	10 ⁺¹	25 ^{+1.5}	50 ^{+3.5}	2.9	0.04	19.91
40	50 ⁻³	78	11 ⁺¹	20 ^{+1.5}	52 ^{+3.5}	3.7	0.06	23.18
50	61 ⁻³	88	12 ⁺¹	20 ^{+1.5}	53 ^{+3.5}	4.6	0.09	25.13
63	75 ⁻³	102	14 ⁺¹	18 ^{+1.5}	50 ^{+3.5}	5.8	0.13	25.70
90	105 ⁻⁴	138	17 ⁺¹	40 ^{+1.5}	82 ^{+3.5}	8.2	0.32	29.12
110	125 ⁻⁴	158	18 ⁺¹	35.5 ^{+1.5}	82 ^{+3.5}	10.0	0.45	36.17



DRIEDELIGE KOPPELINGEN
RACCORDS UNION
UNION SOCKETS

Gespoten. O-ring in FPM, FDA gekeurd.
Injectés. Joint torique en FPM, certifié FDA.
Moulded. O-ring in FPM, FDA approval.

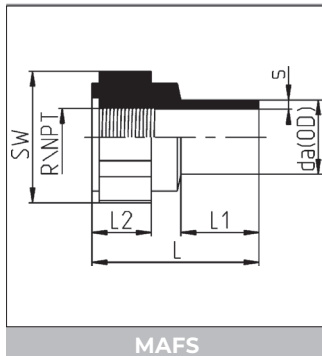
SDR 11

da	L ^{±2.5}	L1 ^{±1.5}	L2 ^{±1.5}	d ^{±1.5}	b ^{±1}	S	KG/ST/PC	€/ST/PC
20	108	24	38	47	24	1.9	0.05	53.38
25	114	24	39	57	26	2.3	0.08	58.34
32	121	25	39	64	30	2.9	0.11	82.22
40	126	25	42	78	31	3.7	0.17	115.86
50	133	25	44	89	35	4.6	0.24	131.05
63	138	25	44	109	39	5.8	0.39	193.18



stomplasfittings - IR
raccords pour le soudage bout à bout - IR
fittings for butt welding - IR

POLYPURE / PP naturel

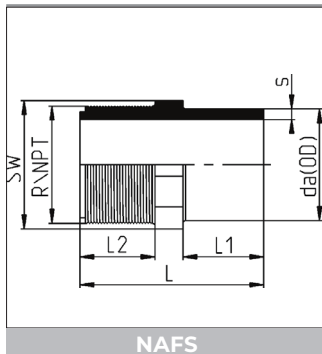


OVERGANGSSTUKKEN
EMBOUTS D'ADAPTATION
ADAPTOR COUPLINGS

Gespoten, ISO S-5/ SDR 11, 1 zijde binnendraad. NPT.
Injectées, ISO S-5/ SDR 11, un côté femelle. NPT.
Moulded, ISO S-5/ SDR 11, one end female threaded. NPT.

SDR 11

da	R	L ^{±3}	L1 ^{±1.5}	L2 ^{±1.5}	SW	b ^{±1}	S	KG/ST/PC	€/ST/PC
20	1/2	45	21	16	32	24.0	1.9	0.01	19.23
25	3/4	50	25	18	41	26.0	2.3	0.03	21.78
32	1	58	30	20	46	30.0	2.9	0.04	28.55
40	1 1/4	62	30	24	55	31.0	3.7	0.06	30.25
50	1 1/2	68	34	25.5	70	35.0	4.6	0.10	47.53
63	2	75	36	30	85	39.0	5.8	0.16	59.53



OVERGANGSSTUKKEN
EMBOUTS D'ADAPTATION
ADAPTOR COUPLINGS

Gespoten, ISO S-5/ SDR 11, 1 zijde buitendraad. NPT.
Injectées, ISO S-5/ SDR 11, un côté mâle. NPT.
Moulded, ISO S-5/ SDR 11, one end male threaded. NPT.

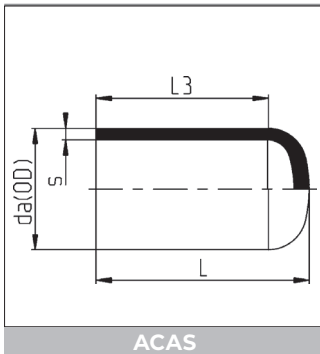
SDR 11

d	R	L ^{±3}	L1 ^{±1.5}	L2 ^{±1.5}	SW	S	KG/ST/PC	€/ST/PC
20	1/2	45	19	18	22	2.5	0.01	15.08
25	3/4	51	22	20	27	2.7	0.01	18.07
32	1	61	28	24	36	2.9	0.02	22.83
40	1 1/4	66	29	26	46	3.7	0.04	25.42
50	1 1/2	74	32	28	55	4.6	0.06	41.67
63	2	80	35	31	65	5.8	0.08	52.71



stomplasmafittings - IR
raccords pour le soudage bout à bout - IR
fittings for butt welding - IR

POLYPURE / PP naturel

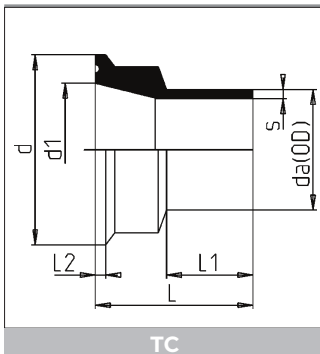


EINDKAPPEN VERLENGD
BOUCHONS ALLONGES
END CAPS ELONGATED

Gespoten.
Injectées.
Moulded.

SDR 11

da	L ^{±1.5}	L ^{±1.5}	S	KG/ST/PC	€/ST/PC
20	41	47	3.0	0.01	15.37
25	41	48	3.0	0.01	16.84
32	47	55	3.0	0.02	21.16
40	51	64	3.7	0.03	24.38
50	60	73	4.6	0.05	31.84
63	68	84	5.8	0.10	41.98



KLEMVERBINDING
RACCORD SANITAIRE
SANITARY JOINT FITTING

Mechanisch bewerkt.
Façonné mécaniquement.
Machined.

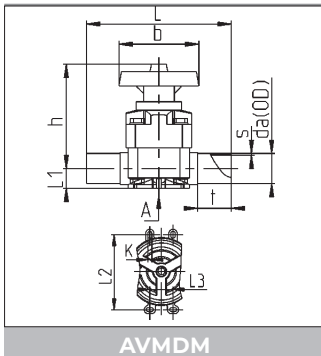
SDR 11

da	L	L1	L2	d	d1	S	KG/ST/PC	€/ST/PC
20	42	23	2.8	50.5	18.1	2.5	0.02	38.21
25	42	23	2.8	50.5	22.4	2.7	0.02	38.21
32	42	23	2.8	50.5	28.5	2.9	0.02	38.21
40	42	23	2.8	64.0	38.4	3.7	0.04	46.11
50	42	23	2.8	64.0	44.2	4.6	0.03	46.11
63	42	23	2.8	77.5	60.3	5.8	0.04	54.40



kranen
vannes
valves

POLYPURE / PP naturel

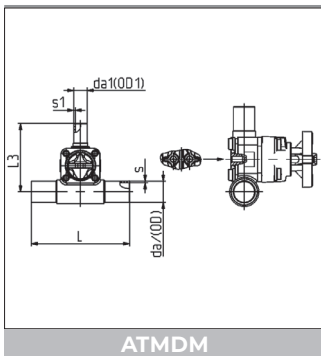


MEMBRAANAFSLUITER
VANNE A MEMBRANE
DIAPHRAGM VALVES

Gespoten.
Injectés.
Moulded.

SDR 11

D	DN	T ^{±1}	B ^{±2}	H ^{±3}	L1 ^{±1}	L2 ^{±1}	K	L ^{±2%}	S	KG ST/PC	€/ST/PC	
											EPDM	PTFE
20	15	36.0	86	100	16.5	24.5	M6	133	2.5	0.45	187.54	224.38
25	20	36.0	86	100	16.5	24.5	M6	144	2.7	0.45	191.03	238.85
32	25	36.0	86	107	20.0	24.5	M6	154	2.9	0.64	210.99	276.92
40	32	46.0	136	136	25.5	44.0	M8	193	3.7	1.49	360.07	397.78
50	40	46.0	136	144	32.0	44.0	M8	194	4.6	1.44	364.80	421.24
63	50	46.0	136	170	38.5	44.0	M8	224	5.8	2.26	425.04	535.45



T-MEMBRAANVENTIEL
VANNE A MEMBRANE-T
DIAPHRAGM VALVES-T

da/da1	s	L	L3	s1	KG/ST/PC	€/ST/PC EPDM/PTFE
20/20	1.9	164	112.0	1.9	0.47	403.11
25/20	2.3	164	115.5	1.9	0.63	403.11
25/25	2.3	164	115.5	2.3	0.63	403.11
32/20	2.9	164	122.0	1.9	0.68	428.89
32/25	2.9	164	122.0	2.3	0.67	428.89
32/32	2.9	164	122.0	2.9	0.68	428.89
40/20	3.7	184	127.0	1.9	0.70	447.10
40/25	3.7	184	127.0	2.3	0.71	447.10
40/32	3.7	184	127.0	2.9	0.71	447.10
50/20	4.6	184	131.5	1.9	0.79	468.20
50/32	4.6	184	131.5	2.9	0.79	468.20
63/32	5.8	184	138.0	2.9	0.85	490.25