

DRUKBUIS
TUYAU DE PRESSION
PRESSURE PIPE

L = 5 m

PN 6 / SDR 33 / ISO S-16

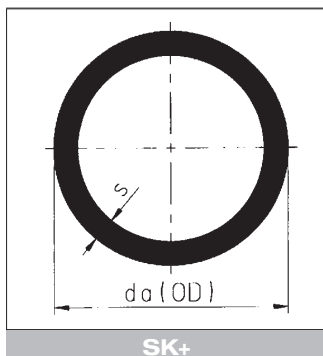
da	s	KG/M	€/M
90	2.8	1.40	313.29

LINER drukloos / sans pression / pressureless

da	s	KG/M	€/M
110	3.0	1.83	409.47
160	3.0	2.69	601.89
200	5.0	6.04	1391.64

PN 10 / SDR 21 / ISO S-10

da	s	KG/M	€/M
20	1.9	0.20	44.13
25	1.9	0.25	56.76
32	2.4	0.41	92.59
40	2.4	0.52	117.67
50	3.0	0.80	178.74
63	3.0	1.03	229.95
75	3.6	1.46	327.38
90	4.3	2.10	470.79
110	5.3	3.14	703.10
140	6.7	5.01	1170.51
160	7.7	6.51	1534.22



SK+

BUIS SK+
TUYAU SK+
PIPE SK+

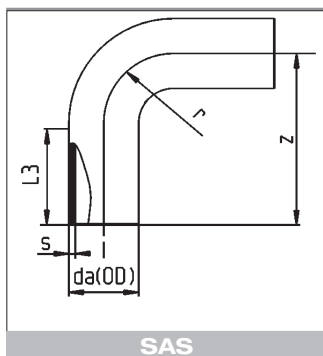
SYNTETISCH GELAMINEERT
LAMINÉ SYNTHETIQUE
SYNTHETIC BACKING

L = 5 m

da	s	KG/M	€/M
20	1.9	0.31	281.16
25	1.9	0.39	309.93
32	2.4	0.57	363.43
40	2.4	0.73	433.80
50	3.0	1.05	603.15
63	3.0	1.35	734.18
90	2.8	1.90	1033.42
110	3.0	2.40	1320.34
160	3.0	3.56	1810.24

L = 1 m

da	s	KG/M	€/M
20	1.9	0.31	338.71
25	1.9	0.39	373.40
32	2.4	0.57	437.86
40	2.4	0.73	522.58
50	3.0	1.05	726.68
63	3.0	1.35	884.55
90	2.8	1.90	1244.99
110	3.0	2.40	1590.69
160	3.0	3.56	2180.90

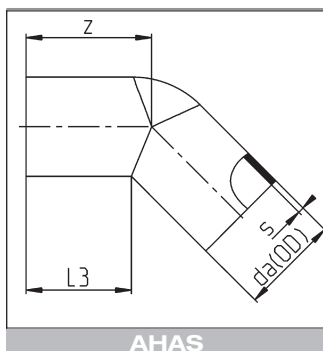


SAS

MULTI-BOCHTEN 90°
MULTI-COUDES 90°
MULTI-ELBOWS 90°

PN 10 / SDR 21 / ISO S-10

D	s	z	r	L3	KG/ST/PC	€/ST/PC
20	1.9	51	20	32	0.02	22.30
25	1.9	56	25	33	0.03	30.16
32	2.4	63	32	33	0.05	58.60
40	2.4	72	40	36	0.07	92.50
50	3.0	84	50	36	0.13	139.99
63	3.0	97	63	34	0.19	234.36
75	3.6	100	75	28	0.28	405.68
90	4.3	123	90	34	0.50	668.89
110	5.3	142	110	34	0.89	1003.34
140	6.7	216	140	73	2.68	2221.13
160	7.7	236	160	73	2.65	3315.44

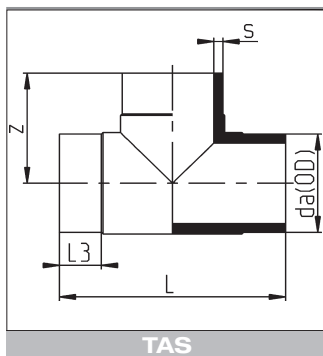


AHAS

BOCHTEN 45° - VERLENGD
COUDES 45° - ALLONGES
ELBOWS 45° - ELONGATED

PN 10 / SDR 21 / ISO S-10

D	s	l _s	Z	KG/ST/PC	€/ST/PC
20	1.9	39	43	0.02	27.93
25	1.9	40	45	0.02	30.35
32	2.4	46	52	0.05	58.65
40	2.4	52	64	0.07	98.89
50	3.0	56	66	0.11	138.36
63	3.0	62	75	0.17	233.35
75	3.6	50	32	0.14	480.44
90	4.3	59	36	0.23	778.78
110	5.3	68	45	0.44	1168.22
140	6.7	85	57	1.26	2360.88
160	7.7	103	65	1.26	2648.79

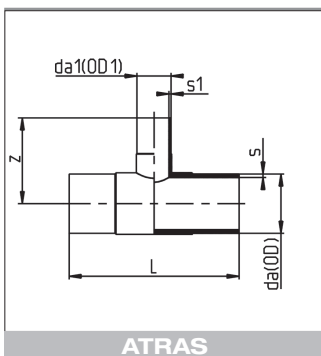


TAS

T-STUKKEN 90°
TES A 90°
TEES 90°

PN 10 / SDR 21 / ISO S-10

D	s	L	z	L ₃	KG/ST/PC	€/ST/PC
20	1.9	70	35	15	0.02	31.45
25	1.9	80	40	15	0.03	39.43
32	2.4	89	45	17	0.08	56.85
40	2.4	58	116	31	0.10	90.82
50	3.0	120	60	23	0.15	99.86
63	3.0	149	75	28	0.24	213.53
75	3.6	89	178	42	0.36	407.15
90	4.3	181	92	33	0.56	699.66
110	5.3	216	110	33	1.09	868.34
140	6.7	154	308	60	2.10	1773.94
160	7.7	103	279	65	2.51	2941.84

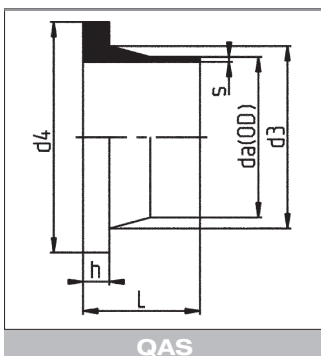


T-REDUCTIESTUKKEN 90°
TES REDICTRICES A 90°
TEES REDUCING 90°

PN 10 / SDR 21 / ISO S-10

da (OD)	da1 (OD1)	s	z	L	L1	L2	s1	KG/ST/PC	€/ST/PC
110	63	5.3	105	230	52	63	3	0.92	1548.01
160	63	7.7	175	345	100	65	3	2.65	3076.99

ATRAS

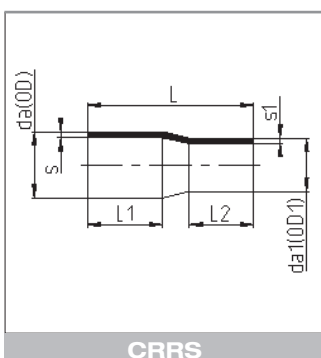


VOORLASKRAGEN
COLLETS
STUBS

PN 10 / SDR 21 / ISO S-10

D	s	d ³	d ⁴	h	L	KG/ST/PC	€/ST/PC
20	1.9	27	45	6.0	49	0.028	28.19
25	1.9	33	58	6.5	50	0.042	31.45
32	2.4	40	68	7.0	50	0.039	34.90
40	2.4	50	78	8.0	50	0.100	64.17
50	3.0	61	88	9.0	50	0.119	83.36
63	3.0	76	102	10.0	50	0.166	100.09
75	3.6	89	122	10.0	50	0.225	202.41
90	4.3	105	138	11.0	80	0.384	245.00
110	5.3	125	158	12.0	80	0.517	376.85
140	6.7	155	188	15.0	80	0.936	1086.86
160	7.7	175	212	16.0	81	0.936	1413.77

QAS

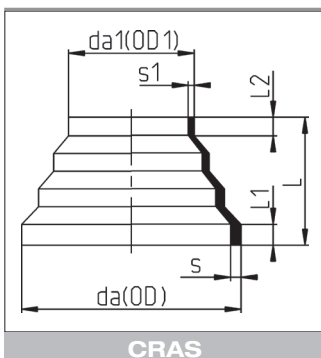


CONCENTRISCHE VERLOOPSTUKKEN
REDUCTIONS CONCENTRIQUES
CONCENTRIC REDUCERS

PN 10 / SDR 21 / ISO S-10

da (OD)	da1 (OD1)	s	L	L1	L2	s1	KG/ST/PC	€/ST/PC
25	20	1.9	85	39	40	1.9	0.03	43.92
32	25	2.4	95	44	40	1.9	0.02	44.64
40	32	2.4	55	20	20	2.4	0.03	68.62
50	25	3.0	118	55	44	1.9	0.04	75.51
50	32	3.0	118	59	46	2.4	0.08	75.51
63	32	3.0	136	64	49	2.4	0.06	75.51
63	50	3.0	150	66	59	3.0	0.14	109.13
110	63	5.3	180	83	63	3.0	0.03	109.13
110	90	5.3	180	83	75	4.3	0.65	393.69
140	110	6.7	110	42	40	5.3	0.48	653.40
160	110	7.7	199	95	58	5.3	1.05	1026.76
160	140	7.7	188	95	58	6.7	1.35	1360.42

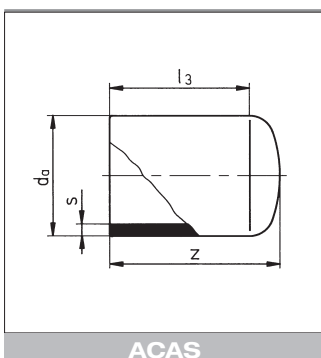
CRRS



CONCENTRISCHE VERLOOPSTUKKEN
REDUCTIONS CONCENTRIQUES
CONCENTRIC REDUCERS

Gespoten / injectés / moulded

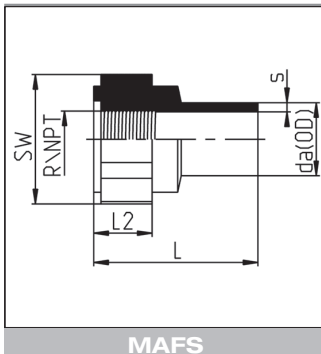
OD	da(OD)	da1 (OD1)	s	L	s1	SDR 21 / ISO S-10	
						KG/ST/PC	€/ST/PC
110/63	110	63	5,3	65	3.0	0.14	223.13



EINDKAPPEN, VERLENGD
BOUCHONS ALLONGEES
END CAPS, ELONGATED

PN 10 / SDR 21 / ISO S-10

da	s	z	l ₃	KG/ST/PC	€/ST/PC
20	1.9	48	41	0.01	32.34
25	1.9	48	41	0.01	36.75
32	2.4	52	47	0.03	37.71
40	2.4	60	48	0.03	71.04
50	3.0	64	48	0.06	85.17
63	3.0	69	50	0.11	136.21



MAFS

OVERGANGSSTUKKEN
EMBOUTS D'ADAPTATION
ADAPTOR COUPLINGS

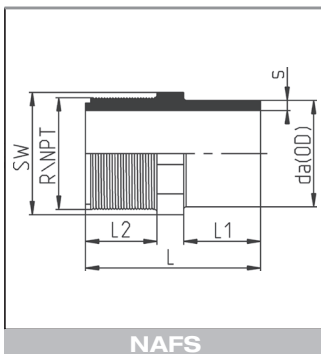
Gespoten. GFK versterkt.
Vrouwelijke draadaansluiting standaard volgens BS-norm, NPT-draad op aanvraag.

Injectés. Renforcé fibre de verre
Fixation fileté femelle standard selon norme BS, filetage NPT sur demande.

Moulded. Glassfiber reinforced
One end female threaded (standard thread BS, also available with NPT thread).

da	s	L	L2	SW	R	SDR21 / ISO S-10	
						KG/ST/PC	€/ST/PC
20	1.9	46	16	32	1/2"	0,03	37.93
25	1.9	51	18	41	3/4"	0,05	44.26
32	2.4	58	20	46	1"	0,07	65.37

NPT op aanvraag / sur demande / on request



NAFS

OVERGANGSSTUKKEN
EMBOUTS D'ADAPTATION
ADAPTOR COUPLINGS

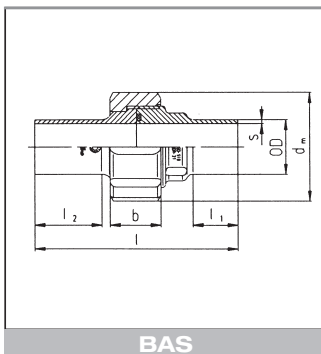
Gespoten.
Mannelijke draadaansluiting standaard volgens BS-norm, NPT-draad op aanvraag.

Injectés.
Fixation fileté male standard selon norme BS, filetage NPT sur demande.

Moulded.
One end male threaded (standard thread BS, also available with NPT thread).

da	s	L	L2	SW	R	SDR21 / ISO S-10	
						KG/ST/PC	€/ST/PC
20	1.9	46	18	22	1/2"	0,01	32.65
25	1.9	51	20	27	3/4"	0,02	37.95
32	2.4	61	23	36	1"	0,05	57.99

NPT op aanvraag / sur demande / on request

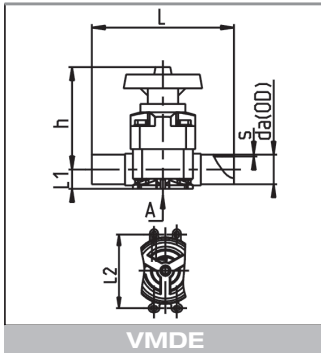


BAS

DRIEDELIGE KOPPELINGEN
RACCORDS UNION
SOCKET UNIONS

Gespoten. Met dichting in FPM, moer GVK. FDA keuring.
Injectés. Avec fermeture en FPM, écrou FRP. Homologation FDA.
Moulded. Sealing: O-ring in FPM, nut FRP. FDA approval.

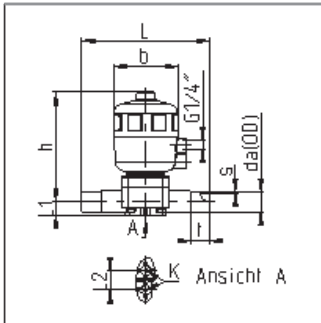
OD	s	l	L1	L2	dm	b	SDR 21 / ISO S-10	
							KG/ST/PC	€/ST/PC
20	1.9	107	24	35.5	47.0	24	0.08	121.86
25	1.9	112	24	36.5	57.0	26	0.11	129.50
32	2.4	119	25	39.3	64.0	30	0.16	204.16
40	2.4	125	28	42.0	76.5	31	0.24	287.67
50	3.0	130	25	40.0	89.0	35	0.34	363.80
63	3.0	138	25	40.5	109.0	39	0.54	480.08


VMDE

 MEMBRAANKRANEN
VANNES A MEMBRANE
DIAPHRAGM VALVES

PN 10 / SDR 21 / ISO S-10

da	s	L	L1	L2	h	KG/ST/PC	€/ST/PC PTFE
20	1.9	133	16.5	24.5	100	0.45	789.57
25	1.9	144	17.0	24.5	100	0.50	805.44
32	2.4	154	20.5	24.5	107	0.72	831.69
40	2.4	193	25.5	44.0	144	1.52	1294.72
50	3.0	194	32.0	44.0	144	1.70	1359.80
63	3.0	224	38.5	44.0	170	2.45	1774.14


VMDE/PN

 MEMBRAANKRANEN - PNEUMATISCH
VANNES A MEMBRANE - PNEUMATIQUE
DIAPHRAGM VALVES - PNEUMATICALLY

 Normaal gesloten, normaal open, dubbelwerkend
 Normalement fermé, normalement ouverte, double effet
 Normally closed, normally open, double acting

da	s	L	L1	L2	h	b	t	DN	K	kv l/mi	KG/ ST/PC	€/ST/PC ECTFE
20	1.9	133	16.5	24.5	170	101	36	15	M6	72	1.48	1360.63
25	1.9	144	16.5	24.5	170	101	36	20	M6	93	1.94	1380.08
32	2.4	154	20.5	24.5	175	101	36	25	M6	221	1.92	1398.06
40	2.4	193	25.5	44	273	153	44	32	M8	450	5.25	2160.41
50	3.0	194	32.0	44.0	273	153	46	40	M8	500	6.26	2357.28
63	3.0	224	38.5	44.0	277	153	54	50	M8	875	7.47	2817.66