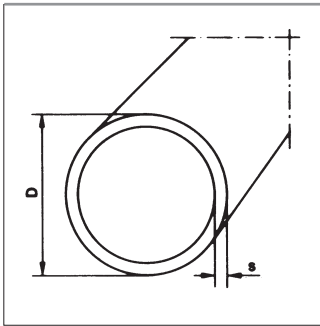




buizen  
tuyaux  
pipes

PVC



HARD PVC DONKERGRIJS RAL 7011  
PVC RIGIDE GRIS FONCÉ RAL 7011  
U-PVC DARK GREY RAL 7011

L = 5 m, gladde uitvoering  
Volgens DIN 8061/62 , ISO/R161- 1960 , EN 15877  
Zelfdovend volgens DIN 4102.  
100% weekmakervrij, siliconenvrij, krijtvrij, regeneraatvrij

L = 5 m, bouts lisses  
Suivant DIN 8061/62 , ISO/R161- 1960 , EN 15877  
Auto-extinguible selon DIN 4102  
100% sans plastificateurs, silicones, graie et régénérats

L = 5 m, butt ends  
According to DIN 8061/62 , ISO/R161- 1960 , EN 15877  
Self-extinguishing according to DIN 4102  
100% without plastifiers, silicones, crayon or regenerated plastics

REEKS SERIE SERIES	SDR 51			SDR 34.4			SDR 21			SDR 13.6			SDR 9		
	PN 4			PN 6			PN 10			PN 16			PN 16*		
D	s	KG/M	€/M	s	KG/M	€/M	s	KG/M	€/M	s	KG/M	€/M	s	KG/M	€/M
6													1.0	0.025	2.47
8													1.0	0.035	2.77
10													1.2	0.054	3.10
12													1.4	0.074	3.36
16										1.2	0.091	1.69	1.8	0.125	2.47
20										1.5	0.139	2.23	2.3	0.199	3.10
25							1.5	0.177	2.59	1.9	0.215	2.87	2.8	0.299	4.62
32							1.9	0.280	3.97	2.4	0.347	4.99	3.6	0.489	7.86
40							1.9	0.355	4.74	3.0	0.533	7.18	4.5	0.761	12.22
50				2.0	0.366	6.30	2.4	0.560	7.18	3.7	0.821	10.66	5.6	1.178	18.61
63				1.9	0.571	9.40	3.0	0.866	9.64	4.7	1.306	16.38	7.0	1.846	29.03
75	1.9	0.651	10.96	2.2	0.793	13.38	3.6	1.237	13.91	5.6	1.847	23.32	8.4	2.637	54.71
90	1.8	0.785	13.72	2.7	1.146	18.07	4.3	1.770	19.87	6.7	2.643	31.94	10.0	3.801	77.72
110	2.2	1.175	19.09	3.2	1.663	24.18	5.3	2.652	29.32	8.2	3.911	46.81	12.3	5.644	116.76
125	2.5	1.500	25.15	3.7	2.159	36.10	6.0	3.386	41.34	9.2	5.036	67.56			
140	2.8	1.863	31.99	4.1	2.691	42.79	6.7	4.237	47.83	10.3	6.304	81.02			
160	3.2	2.444	43.03	4.7	3.491	50.54	7.7	5.553	60.34	11.8	8.225	100.99			
180	3.6	3.064	58.39	5.3	4.432	79.09	8.6	6.974	88.20	13.3	10.435	138.74			
200	4.0	3.669	67.90	5.9	5.444	105.36	9.6	8.636	105.07						
225	4.5	4.667	89.70	6.6	6.855	105.55	10.8	10.908	125.76	16.6	16.242	207.28			
250	4.9	5.732	108.07	7.3	8.428	161.62	11.9	13.344	165.12						
280	5.5	7.214	139.91				13.4	16.838	190.51						
315	6.2	9.020	171.12	9.2	13.343	198.02	15.0	21.152	238.58						
355	7.0	11.400	231.36	10.4	16.955	270.48									
400	7.9	14.500	284.57	11.7	21.441	343.61									

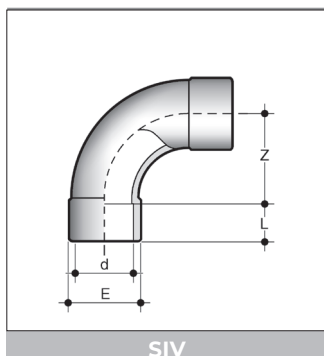
PN 16\* : versterkt / renforcé / reinforced

Andere lengten, kleuren en/of uiteinden op aanvraag  
Autres longueurs, couleurs et/ou bouts sur demande  
Other lengths, colours and/or ends on request



lijmfittings  
raccords à coller  
fittings for solvent welding

PVC

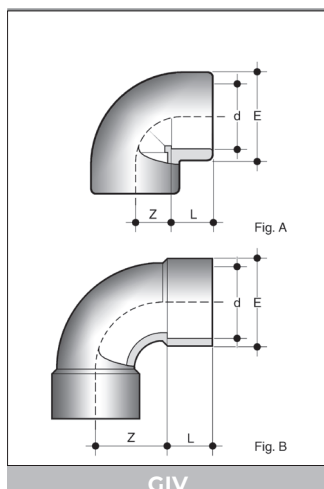


BOCHTEN 90°  
COURBES A 90°  
BENDS 90°

Beide zijden lijmmof. Andere diameters op aanvraag.  
Deux côtés femelles à coller. Autres diamètres sur demande.  
Sockets for solvent welding. Other diameters on request.

d	L	Z	E	€/ST//PC
20	16	40.5	27	5.91
25	19	50.0	33	6.48
32	22	65.5	41	8.86
40	26	80.5	50	11.95
50	31	100.5	61	16.83
63	38	127.0	76	19.80
75	44	150.0	94	43.89
90	51	180.0	113	49.81
110	61	220.0	137	89.20
*160	86	207.0	189	222.07

\* PN10



KNIEËN 90°  
COUDES A 90°  
ELBOWS 90°

Beide zijden lijmmof  
Deux côtés femelles à coller  
Sockets for solvent welding

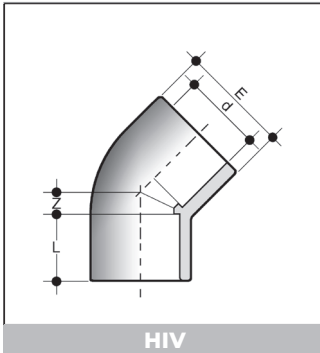
d	L	Z	E	TYPE	€/ST//PC
6	12.0	4.0	10.0	A	3.68
8	12.0	5.0	12.0	A	3.68
10	12.0	6.0	16.0	A	3.68
12	12.0	7.5	16.0	A	1.27
16	14.0	9.0	22.0	A	1.43
20	16.0	12.0	26.0	A	1.40
25	19.0	13.5	31.5	A	1.59
32	22.0	17.5	39.0	A	1.98
40	26.0	21.5	48.0	A	3.10
50	31.0	26.0	58.5	A	4.08
63	37.5	32.5	73.0	A	6.38
75	44.0	39.0	87.0	A	12.43
90	51.5	46.5	104.0	A	18.42
110	61.5	56.5	126.0	A	28.04
125	69.0	64.0	148.0	A	61.71
140	77.0	77.0	161.0	A	81.60
160	87.0	82.0	183.0	A	118.28
* 180	96.0	94.0	215.0	A	241.30
200	107.0	102.0	222.0	A	171.29
225	119.5	114.5	249.0	A	207.78
* 250	131.0	188.0	287.0	B	441.65
* 280	147.0	210.0	325.0	B	619.69
* 315	164.0	236.0	359.0	B	771.39
** 355	184.0	-	386.0	B	1,015.41
** 400	206.0	202.0	439.0	B	1,189.04

\* PN10 \*\* PN 5



lijmfittings  
raccords à coller  
fittings for solvent welding

PVC



KNIEEN 45°  
COUDES A 45°  
ELBOWS 45°

Beide zijden lijmmof.  
Deux côtés femelles à coller.  
Sockets for solvent welding.

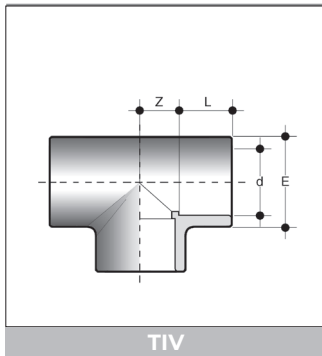
d	L	Z	E	€/ST/PC
<b>12</b>	12.0	4.0	17.0	<b>2.32</b>
<b>16</b>	14.0	5.0	21.0	<b>2.32</b>
<b>20</b>	16.0	5.5	28.0	<b>2.32</b>
<b>25</b>	19.0	6.0	33.0	<b>2.32</b>
<b>32</b>	22.0	7.5	41.0	<b>2.87</b>
<b>40</b>	26.0	10.5	50.0	<b>3.63</b>
<b>50</b>	31.0	12.0	58.5	<b>4.66</b>
<b>63</b>	37.5	14.5	73.0	<b>7.26</b>
<b>75</b>	44.0	17.0	90.0	<b>12.28</b>
<b>90</b>	51.0	21.5	107.0	<b>16.98</b>
<b>110</b>	62.0	25.0	127.0	<b>37.90</b>
<b>125</b>	69.0	31.0	147.0	<b>60.75</b>
<b>140</b>	76.0	34.0	163.0	<b>66.23</b>
<b>160</b>	86.0	38.0	192.0	<b>77.58</b>
* <b>180</b>	96.0	38.0	208.0	<b>169.52</b>
* <b>200</b>	106.0	48.0	230.0	<b>122.06</b>
* <b>225</b>	119.0	55.0	260.0	<b>260.54</b>
* <b>250</b>	131.0	58.0	286.0	<b>359.19</b>
* <b>280</b>	147.0	62.0	320.0	<b>491.63</b>
* <b>315</b>	164.0	66.0	359.0	<b>678.63</b>
** <b>355</b>	184.0	-	386.0	<b>861.83</b>
** <b>400</b>	206.0	83.0	439.0	<b>998.20</b>

\* PN 10      \*\*PN 5



lijmfittings  
raccords à coller  
fittings for solvent welding

PVC



T-STUKKEN 90°

TES A 90°

TEES 90°

Beide zijden lijmmof. Andere diameters op aanvraag.  
Deux côtés femelles à coller. Autres diamètres sur demande.  
Sockets for solvent welding. Other diameters on request.

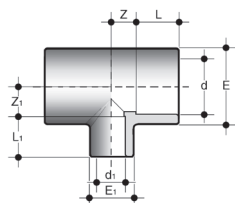
d	L	Z	E	€/ST/PC
6	12.0	4.0	11.0	4.68
8	12.0	5.0	13.0	4.68
10	12.0	6.0	16.0	4.68
12	12.0	8.0	17.0	4.68
16	14.0	9.0	22.0	1.48
20	16.0	11.0	27.0	1.59
25	19.0	14.0	33.0	1.76
32	22.0	18.0	40.0	2.41
40	26.0	22.0	49.0	3.70
50	31.0	26.0	58.5	5.30
63	37.5	32.5	73.0	8.29
75	44.0	39.0	88.0	14.19
90	52.0	46.0	105.0	22.64
110	61.5	57.0	127.0	36.70
125	69.0	64.0	143.5	81.29
140	77.0	72.0	161.0	108.34
160	87.0	82.0	183.0	123.50
* 180	96.0	94.0	215.0	279.55
* 200	107.0	102.0	222.5	212.33
* 225	119.5	114.5	250.5	225.35
* 250	131.0	128.0	286.0	488.81
* 280	147.0	144.0	319.0	733.20
* 315	164.0	162.0	360.0	902.48
** 355	184.0	294.0	386.0	1689.56
** 400	206.0	280.0	432.0	1689.56

\* PN10 \*\* PN 5



lijmfittings  
raccords à coller  
fittings for solvent welding

PVC



TRIV

VERLOOP T-STUKKEN 90°  
TES REDUITS A 90°  
TEES 90° REDUCING

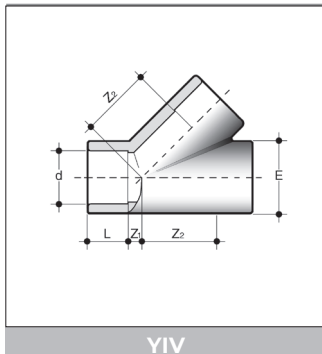
Alle zijden lijmmof, spruit gereduceerd. Andere diameters op aanvraag.  
Trois côtés femelles à coller, tubulure réduite. Autres diamètres sur demande.  
Sockets for solvent welding, offtake socket reduced. Other diameters on request.

d x d <sub>1</sub>	L	L <sub>1</sub>	Z	Z <sub>1</sub>	E	E <sub>1</sub>	€/ST/PC
<b>25-20</b>	19	16.0	14.0	14.0	33	27.5	<b>3.53</b>
<b>32-20</b>	22	16.0	17.5	17.5	41	28.0	<b>3.63</b>
<b>32-25</b>	22	19.0	17.5	17.5	41	34.0	<b>3.63</b>
<b>40-20</b>	26	16.0	22.0	22.0	50	29.0	<b>5.11</b>
<b>40-25</b>	26	19.0	22.0	22.0	50	34.5	<b>5.11</b>
<b>40-32</b>	26	22.0	22.0	22.0	50	42.0	<b>5.11</b>
<b>50-20</b>	31	16.0	27.0	27.0	61	29.5	<b>7.10</b>
<b>50-25</b>	31	19.0	27.0	27.0	61	35.0	<b>7.10</b>
<b>50-32</b>	31	22.0	27.0	27.0	61	42.5	<b>7.10</b>
<b>50-40</b>	31	26.0	27.0	27.0	61	51.0	<b>7.10</b>
<b>63-25</b>	38	19.0	33.5	33.5	76	36.0	<b>10.32</b>
<b>63-32</b>	38	22.0	33.5	33.5	76	43.5	<b>10.32</b>
<b>63-40</b>	38	26.0	33.5	33.5	76	52.0	<b>10.32</b>
<b>63-50</b>	38	31.0	33.5	33.5	76	62.5	<b>10.32</b>
<b>75-32</b>	44	22.0	40.0	40.0	91	50.0	<b>20.85</b>
<b>75-40</b>	44	26.0	40.0	40.0	91	61.0	<b>20.85</b>
<b>75-50</b>	44	38.0	40.0	40.0	91	76.0	<b>20.85</b>
<b>75-63</b>	44	38.0	40.0	40.0	91	76.0	<b>20.85</b>
<b>90-40</b>	51	26.0	48.0	48.0	109	50.0	<b>30.23</b>
<b>90-50</b>	51	31.0	48.0	48.0	109	61.0	<b>30.23</b>
<b>90-63</b>	51	38.0	48.0	48.0	109	76.0	<b>30.23</b>
<b>90-75</b>	51	44.0	48.0	48.0	109	91.0	<b>30.23</b>
<b>110-50</b>	61	31.0	61.0	61.0	133	61.0	<b>45.68</b>
<b>110-63</b>	61	38.0	61.0	61.0	133	76.0	<b>45.68</b>
<b>110-75</b>	61	44.0	61.0	61.0	133	91.0	<b>45.68</b>
<b>110-90</b>	61	51.0	61.0	61.0	133	109.0	<b>45.68</b>



lijmfittings  
raccords à coller  
fittings for solvent welding

PVC



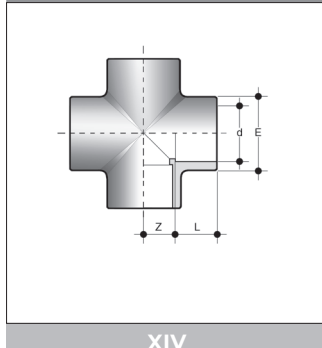
YIV

T-STUKKEN 45°  
TES A 45°  
TEES 45°

Alle zijden lijmmof.  
Trois côtés femelles à coller.  
Sockets for solvent welding.

	d	L	Z <sub>1</sub>	Z <sub>2</sub>	E	€/ST/PC
* 10	12.0	12.0	4.0	18.0	-	6.53
* 12	12.0	12.0	4.0	21.0	-	6.53
* 16	14.0	14.0	5.0	25.0	-	7.36
20	16.0	16.0	7.0	30.0	27.0	6.07
25	19.0	19.0	7.0	35.0	33.0	6.48
32	22.0	22.0	9.0	44.0	41.0	7.26
40	26.0	26.0	11.0	55.0	51.0	11.62
50	31.0	31.0	12.0	68.5	63.0	12.77
63	38.0	38.0	15.0	85.0	78.0	20.23
* 75	44.0	44.0	17.5	94.5	87.5	41.26
* 90	51.5	51.5	20.5	112.5	104.5	93.75
* 110	62.0	62.0	25.0	138.0	127.5	138.30
* 125	69.0	69.0	30.0	167.0	-	153.14
* 140	76.0	76.0	34.0	190.0	-	242.15
* 160	86.0	86.0	41.0	213.0	189.0	361.21

\* PN10



XIV

KRUISSTUKKEN  
CROIX  
CROSSES

Alle zijden lijmmof.  
Quatres côtés femelles à coller.  
Sockets for solvent welding.

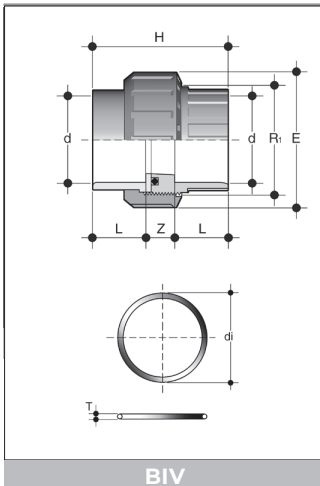
	d	L	Z	E	€/ST/PC
20	16.0	16.0	11.0	28	--
25	19.0	19.0	14.0	35	5.46
32	22.0	22.0	18.0	43	6.67
40	26.0	26.0	23.0	52	10.15
50	31.0	31.0	27.0	62	12.42
63	38.0	38.0	33.5	79	18.01
* 75	41.4	41.4	38.5	92	41.26
* 90	52.5	52.5	46.0	106	78.72
* 110	61.0	61.0	56.0	133	121.90

\* PN 10



lijmfittings  
raccords à coller  
fittings for solvent welding

PVC



DRIEDELIGE KOPPELINGEN  
RACCORDS -UNION 3 PIECES  
SOCKET UNIONS

Beide zijden lijmmof. Afdichting : O-ring EPDM. Ook leverbaar met FPM O-ring.

Deux côtés femelles à coller. Etanchéité : joint torique EPDM. Egalement livrable avec joint torique FPM.

Sockets for solvent welding. Seal : EPDM O-ring. Also available with FPM O-ring.

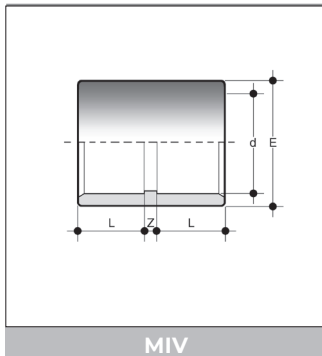
d	R <sup>1</sup>	L	H	Z	E	€/ST/PC
10	5/8"	10	37	12	31	16.82
12	5/8"	10	37	12	31	16.82
16	3/4"	14	41	13	33	16.82
20	1"	16	45	13	41	5.99
25	1 1/4"	19	51	13	50	6.31
32	1 1/2"	22	57	13	58	8.40
40	2"	26	67	15	72	10.27
50	2 1/4"	31	79	17	79	14.58
63	2 3/4"	38	98	22	98	19.32
* 75	3 1/2"	44	110	22	123	84.72
* 90	4"	51	125	23	140	99.59
* 110	5"	61	140	18	165	115.04

\* PN 10



lijmfittings  
raccords à coller  
fittings for solvent welding

PVC



SOKKEN, NIET VERLOPEND  
MANCHONS, NON REDUITS  
DOUBLE SOCKETS

Beide zijden lijmmof. Andere diameters op aanvraag.  
Deux côtés femelles à coller. Autres diamètres sur demande.  
Sockets for solvent welding. Other diameters on request.

d	L	Z	E	€/ST/PC
6	12.0	3.0	14.0	2.96
8	12.0	3.0	15.0	2.96
10	12.0	3.0	16.0	2.96
12	12.0	3.0	16.0	2.96
16	14.0	3.0	21.0	1.02
20	16.0	3.0	26.0	1.15
25	19.0	3.0	32.0	1.10
32	22.0	3.0	40.0	1.30
40	26.0	3.0	50.0	1.76
50	31.0	3.5	58.5	2.50
63	38.0	3.5	73.0	3.81
75	44.0	3.0	90.0	7.86
90	51.0	4.0	108.0	11.39
110	61.5	7.0	127.0	17.43
125	69.0	7.0	148.0	32.30
140	76.0	8.0	164.0	42.05
160	86.0	9.0	186.0	58.50
**180	96.0	8.0	209.0	157.95
200	106.0	11.0	232.0	86.66
225	119.0	11.0	260.0	149.53
*250	131.0	10.0	286.0	236.05
*280	146.0	12.0	355.0	286.99
*315	164.0	12.0	355.0	334.12
**355	185.0	11.0	386.0	450.99
**400	206.0	12.0	432.0	466.83

\* PN10 \*\* PN 5

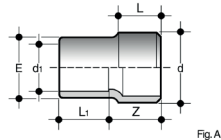


Fig. A

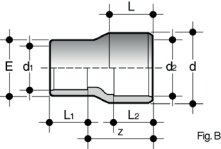


Fig. B

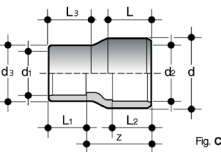


Fig. C

RIV

 VERMINDERINGSSTUKKEN, LANG MODEL  
 REDUCTIONS, MODELE LONGUE  
 REDUCERS, LONG MODEL

 In- en uitwendige lijmaansluiting.  
 Côté mâle et femelle à coller.  
 Spigot and socket for solvent welding.

d x d <sub>2</sub> x d <sub>1</sub> x d <sub>3</sub>	L	L <sub>1</sub>	L <sub>2</sub>	L <sub>3</sub>	Z	E	FIG.	€/ST/PC
8 x 6		12			15		A	3.17
10 x 6		12			15		A	3.17
10 x 8	12	12			15	16	A	3.17
14 x 10 x 8 x 12	12	12			15		C	3.17
16 x 12 x 10 x 16	12	12			18		C	3.17
16 x 12 x 8 x 12	14	12			18		C	3.17
16 x 12	14	12			18	19	A	0.88
20 x 16 x 12 x 16	12	14			21		C	3.35
20 x 16	16	14			21	22	A	0.88
25 x 20 x 16	19	14	16		24.5	22	B	1.22
25 x 20 x 20	19	16	16		24.5	26	B	1.22
32 x 25 x 16	22	14	19		30	22	B	1.61
32 x 25 x 20	22	16	19		30	27	B	1.61
32 x 25 x 25	22	19	19		30	32	B	1.61
40 x 32 x 20	26	16	22		36	27	B	1.90
40 x 32 x 25	26	19	22		36	32	B	1.90
40 x 32 x 32	26	22	22		36	41	B	1.90
50 x 40 x 20	31	16	26		44	27	B	2.35
50 x 40 x 25	31	19	26		44	32	B	2.35
50 x 40 x 32	31	22	26		44	40	B	2.35
50 x 40 x 40	31	26	26		44	48	B	2.35
63 x 50 x 25	38	19	31		54	32	B	3.85
63 x 50 x 32	38	22	31		54	40	B	3.85
63 x 50 x 40	38	26	31		54	49	B	3.85
63 x 50 x 50	38	31	31		54	60	B	3.85
75 x 63 x 50	44	31	38		62	61	B	11.97
75 x 63 x 63	44	38	38		62	76	B	11.97
90 x 75 x 40 x 50	51	26	44	31	74	-	C	16.03
90 x 75 x 50 x 63	51	31	44	38	74	-	C	16.03
90 x 75 x 63 x 75	51	38	44	44	74	-	C	16.03
90 x 75 x 75 x 90	51	44	44	51	74	-	C	16.03
110 x 90 x 50	61	31	51		88	61	B	16.90
110 x 90 x 63	61	38	51		88	76	B	16.90
110 x 90 x 75	61	44	51		88	89	B	16.90
110 x 90 x 90	61	51	51		88	104	B	16.90
160 x 110	86	61	-		125	137	A	75.79
*200 x 160	106	86	-		156	182	A	106.43

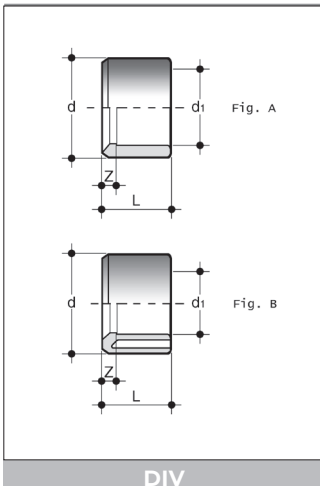
\* PN 10

MRIV: op aanvraag / sur demande / on request



lijmfittings  
raccords à coller  
fittings for solvent welding

PVC



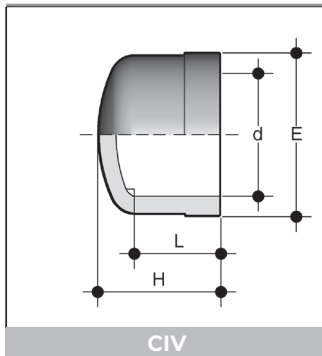
VERMINDERINGSRINGEN, KORT MODEL  
DOUILLES DE REDUCTIONS , MODELE COURT  
REDUCING BUSHES

In-en uitwendige lijmaansluiting. Andere afmetingen op aanvraag.  
A coller à l'extérieur et à l'intérieur. Autres dimensions sur demande.  
Spigot and socket for solvent welding. Other dimensions on request.

d x d <sup>1</sup>	L	Z	TYPE	€/ST/PC
12 x 8	14	2.0	A	1.92
16 x 12	14	2.0	A	1.13
20 x 16	16	2.0	A	0.65
25 x 20	16	3.0	A	0.65
32 x 20	22	6.0	A	1.08
32 x 25	22	3.5	A	0.88
40 x 20	26	9.0	B	0.99
40 x 25	26	7.0	B	0.99
40 x 32	26	4.0	A	0.99
50 x 32	31	8.5	B	1.57
50 x 40	31	5.0	A	1.57
63 x 32	38	16.0	B	1.96
63 x 40	38	11.5	B	2.18
63 x 50	38	7.0	A	2.18
75 x 50	44	13.0	B	3.54
75 x 63	44	6.0	A	3.54
90 x 50	51	20.0	B	8.24
90 x 63	51	13.0	B	8.24
90 x 75	51	7.0	A	7.41
110 x 63	61	23.0	B	8.80
110 x 75	61	17.0	B	11.42
110 x 90	61	9.0	A	11.87
125 x 110	69	8.0	A	13.03
140 x 90	76	25.0	B	20.13
140 x 110	76	17.0	B	26.55
140 x 125	76	9.5	A	26.55
160 x 90	86	35.0	B	31.29
160 x 110	86	24.0	B	30.46
* 160 x 125	86	17.0	B	51.61
160 x 140	86	10.0	A	30.46
* 180 x 110	95	34.0	B	59.18
* 180 x 125	95	36.0	B	59.18
* 180 x 140	95	18.0	B	59.18
* 180 x 160	95	11.0	B	59.18
* 200 x 110	106	45.0	B	60.73
* 200 x 125	106	37.0	B	60.73
* 200 x 140	106	29.0	B	60.73
* 200 x 160	106	30.0	B	60.73
* 200 x 180	106	10.0	A	60.73
* 225 x 110	118	57.0	B	95.30
* 225 x 125	118	49.0	B	95.30
* 225 x 140	118	41.0	B	90.79
* 225 x 160	119	33.0	B	49.35
* 225 x 180	118	22.0	B	90.79
* 225 x 200	119	13.0	A	52.10

d x d <sup>1</sup>	L	Z	TYPE	€/ST/PC
* 250 x 160	132	45.0	B	180.98
* 250 x 180	132	36.0	B	197.27
* 250 x 200	132	25.0	A	180.98
* 250 x 225	132	12.0	A	180.98
** 280 x 200	146	40.0	B	201.82
** 280 x 225	147	27.0	B	201.82
** 280 x 250	147	15.0	A	201.82
* 315 x 200	165	85.0	B	222.30
* 315 x 225	165	45.0	B	228.60
* 315 x 250	165	33.0	B	228.50
* 315 x 280	165	18.0	A	228.50
** 355 x 315	184	21.0	B	240.47
** 400 x 315	206	42.0	B	302.88
** 400 x 355	206	21.0	B	302.88

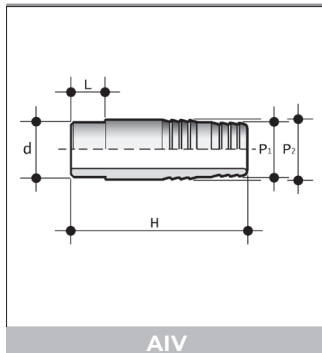
\* PN 10 \*\* PN 5


 AFSLUITKAPPEN  
 BOUCHONS  
 END CAPS

 Lijmmof.  
 Côté femelle à coller.  
 Socket for solvent welding.

d	L	H	E	€/ST/PC
12	12	14	16	1.56
16	14	16	20	1.22
20	16	23	28	1.26
25	19	27	34	1.56
32	22	31	41	1.60
40	26	36	51	2.18
50	31	43	62	3.63
63	38	51	77	4.47
75	44	59	91	11.96
90	51	69	110	15.25
110	61	85	133	22.76
125	69	99	147	64.54
140	76	108	164	66.71
160	86	128	192	86.26
* 200	106	168	229	137.43
* 225	119	163	260	233.59

\* PN 10


 SLANGPILAREN  
 EMBOUTS CANNELES  
 HOSE ADAPTORS

PN 16

 Uitwendige lijmaansluiting.  
 Bout mâle à coller.  
 Spigot for solvent welding.

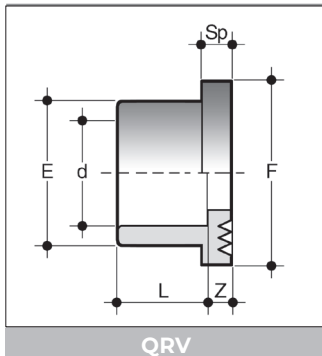
d x P <sub>2</sub> x P <sub>1</sub>	L	H	€/ST/PC
*10 x 6	-	51	3.60
*10 x 8	-	51	2.97
*12 x 6	-	51	3.88
*16 x 8	-	57	4.66
12 x 14 x 12	12	56	1.22
16 x 18 x 16	14	60	1.60
20 x 22 x 20	16	67	1.81
25 x 27 x 25	19	81	2.18
32 x 32 x 30	22	97	2.47
40 x 42 x 40	26	104	3.43
50 x 52 x 50	31	111	5.01
63 x 64 x 60	38	123	7.38

\* niet conform tekening / pas selon dessin / not according to drawing



lijmfittings  
raccords à coller  
fittings for solvent welding

PVC



KRAAGBUSSEN GEGROEFD  
COLLETS A SURFACE RAINURÉE  
STUBS WITH GROOVED SURFACE

Met lijmmof.  
Un côté femelle à coller.  
Socket for solvent welding.

d	L	Z	Sp	E	F	€/ST/PC
<sup>(1)</sup> 20	16	3.5	7	27	34	1.49
<sup>(1)</sup> 25	19	3.0	7	33	41	1.90
<sup>(1)</sup> 32	22	3.0	7	41	50	1.90
40	26	3.0	8	50	61	2.75
50	31	3.0	8	61	73	3.87
63	38	3.0	9	76	90	6.80
75	44	3.0	10	90	105	9.93
90	51	5.0	10	108	125	11.86
110	61	4.0	12	131	150	15.62
125	69	5.0	13	147	168	34.76
140	76	5.0	14	165	188	35.28
160	86	4.5	16	188	212	38.01
180	93	8.0	15	201	247	86.49
200	106	5.5	18	230	254	66.21
225	119	5.5	25	245	273	87.95
250	131	8.5	20	270	306	138.68
*280	147	14.5	32	307	327	166.44
*315	165	16.0	32	346	377	187.25
**355	184	8.0	30	386	413	315.09
**400	206	12.0	30	430	483	381.44
**450	155	8.0	30	487	540	394.72
**500	153	8.0	31	532	574	409.97

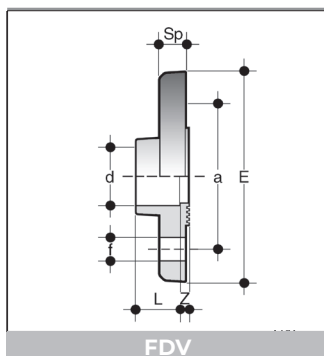
<sup>(1)</sup> vlakke kraagbus / collet à face plat / flat stub - QPV

\* PN 10 \*\* PN 4



lijmfittings  
raccords à coller  
fittings for solvent welding

PVC



LIJMFLENZEN  
BRIDES A COLLER  
SOCKET WELDING FLANGES

**Boring : PN 10-16, DIN 8063**

Max. toegelaten druk / Max. pression permise / Max. permitted pressure : 10 bar

Dichtingen : zie hoofdstuk 7.

Joints : voir chapitre 7.

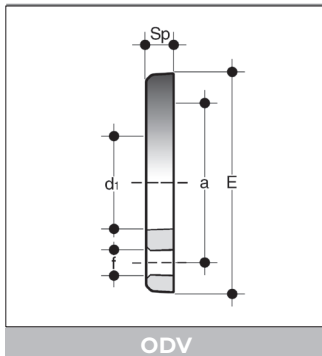
Seals : see chapter 7.

d	E	a	L	Z	f	Sp	€/ST/PC
<b>25</b>	105	75	19	4.5	14	12	<b>7.38</b>
<b>32</b>	115	85	22	4.5	14	14	<b>10.73</b>
<b>40</b>	140	100	26	4.5	18	15	<b>12.12</b>
<b>50</b>	150	110	31	4.5	18	16	<b>14.79</b>
<b>63</b>	163	125	38	4.5	18	18	<b>16.24</b>
<b>75</b>	185	145	44	5.0	18	19	<b>26.38</b>
<b>90</b>	200	160	51	7.0	18	20	<b>30.56</b>
<b>110</b>	220	180	61	8.0	18	22	<b>34.71</b>



lijmfittings  
raccords à coller  
fittings for solvent welding

PVC



OVERSCHUIFFLENZEN  
BRIDES LIBRES  
BACKING FLANGES

**Boring : PN 10, DIN 8063**

Max. toegelaten druk / Max. pression permise / Max. permitted pressure : 10 bar

Voor kraag QGV, QRV.  
Pour collets QGV, QRV.  
For collar QGV, QRV.

PP-GFK overschuifflenzen in glasvezelversterkt PP met stalen kern : zie hoofdstuk flenzen.  
Brides libres en PP renforcé de fibres de verre avec noyau en acier : voir chapitre brides.  
Backing flanges made out of fibreglass reinforced PP, with steel insert : see chapter flanges.

d	E	d1	a	Sp	f	n	€/ST/PC
20	96	28	65	11	14	4	4.08
25	107	34	75	12	14	4	4.92
32	117	42	85	14	14	4	5.47
40	143	51	100	15	18	4	6.33
50	153	62	110	16	18	4	7.31
63	168	78	125	18	18	4	8.49
75	188	92	145	19	18	4	10.87
90	203	109	160	20	18	8	12.87
110	222	132	180	22	18	8	15.34
125	250	149	210	26	18	8	21.55
140	251	166	210	26	18	8	22.73
160	290	189	240	29	22	8	26.88
180	318	203	270	32	22	8	73.15
200	340	235	295	30	22	8	62.18
225	340	252	295	30	22	8	90.03
250	396	278	350	34	22	12	109.63
280	396	309	350	35	22	12	129.84
315	465	349	400	40	22	12	144.31
*355	511	388	460	34	22	16	232.97
*400	572	438	515	34	25	16	256.07

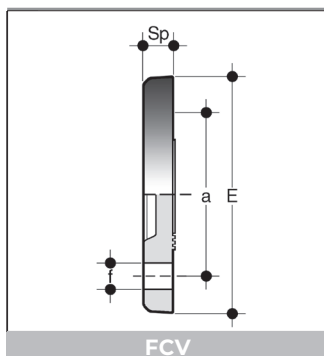
\* PN 4

n : aantal gaten / nombre de trous / number of holes.



lijmfittings  
raccords à coller  
fittings for solvent welding

PVC



BLINDFLENZEN  
BRIDES PLEINES  
BLIND FLANGES

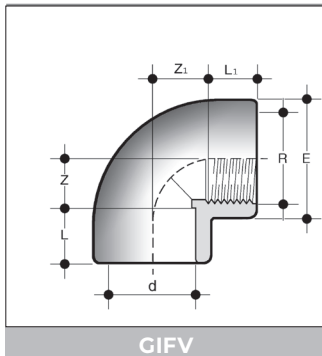
**Boring : PN 10, DIN 8063**

Max. toegelaten druk / Max. pression permise / Max. permitted pressure : 10 bar

D	E	a	Sp	f	n	€/ST/PC
25	105	75	12	14	4	8.80
32	115	85	14	14	4	12.57
40	141	100	15	18	4	14.97
50	150	110	16	18	4	16.76
63	165	125	18	18	4	20.24
75	186	145	19	18	4	25.66
90	201	160	20	18	8	29.62
110	221	180	22	18	8	37.65
140	258	210	28	18	8	65.33
160	285	240	28	22	8	95.48
*180	318	270	30	22	8	121.87
*200/225	345	295	30	22	8	122.96

n : aantal gaten / nombre de trous / number of holes.

\* PN 4

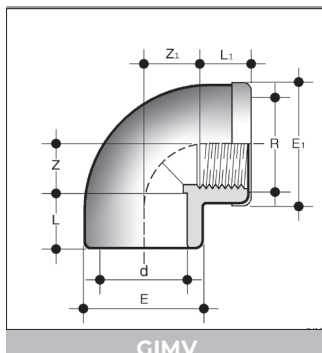


GIFV

 KNIIEEN 90°  
 COUDES A 90°  
 ELBOWS 90°

Eén zijde lijmstof, andere zijde cilindrische binnendraad.  
 Un côté femelle à coller et un côté femelle à filetage cylindrique.  
 One socket for solvent welding, the other socket parallel threaded.

d x R	L	L'	Z	Z'	E	€/ST/PC
16 x 3/8"	14	11.4	10.0	13.0	23.5	2.24
20 x 1/2"	16	15.0	12.0	13.0	26.5	2.35
25 x 3/4"	19	16.3	14.0	17.0	35.0	3.24
32 x 1"	22	19.1	18.0	20.5	43.0	4.06
40 x 1 1/4"	26	21.4	22.0	27.0	50.0	6.38
50 x 1 1/2"	31	21.4	27.0	37.0	61.0	9.80
63 x 2"	38	25.7	33.0	46.0	76.0	14.58
75 x 2 1/2"	44	30.2	40.5	55.0	91.0	15.25
90 x 3"	51	33.3	48.0	65.5	108.0	39.61
110 x 4"	61	39.3	60.0	80.0	131.0	59.01

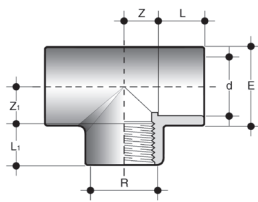


GIMV

 KNIIEEN 90°  
 COUDES A 90°  
 ELBOWS 90°

Een zijde lijmstof, andere zijde cilindrische binnendraad met RVS ring versterkt.  
 Un côté femelle à coller et un côté femelle à filetage cylindrique renforcé au piquage.  
 One socket for solvent welding, the other socket parallel threaded with reinforcing stainless steel ring.

d x R	L	L'	Z	Z'	E	E'	€/ST/PC
16 x 3/8"	14	11.4	10.0	13.0	23.5	24.5	4.06
20 x 1/2"	16	15.0	12.0	13.0	28.5	29.5	4.55
25 x 3/4"	19	16.3	14.0	17.0	35.0	36.0	5.42
32 x 1"	22	19.1	18.0	20.5	43.0	44.0	6.19
40 x 1 1/4"	26	21.4	22.0	27.0	50.0	51.0	9.23
50 x 1 1/2"	31	21.4	27.0	37.0	61.0	62.0	13.62
63 x 2"	38	25.7	33.0	46.0	76.0	77.0	17.44

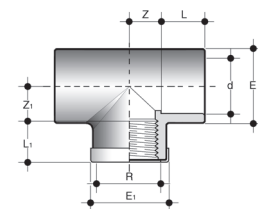


TIFV

 T-STUKKEN 90°  
 TES A 90°  
 TEES 90°

Tegenoverliggende zijden met lijmmof, de spruit met cilindrische binnendraad.  
 Côtés opposés femelles à coller, tubulure centrale femelle à filetage cylindrique.  
 Opposite sides with sockets for solvent welding, third socket parallel threaded.

d x R	L	L'	Z	Z'	E	€/ST/PC
16 x 3/8"	14	11,4	9,0	11,0	23,5	2,67
20 x 1/2"	16	15,0	12,0	13,0	28,5	3,19
25 x 3/4"	19	16,3	15,0	17,0	35,0	3,75
32 x 1/2"	19	15,0	17,5	18,0	41,0	4,81
32 x 1"	22	19,1	18,0	21,0	43,0	4,81
40 x 1 1/4"	26	21,4	21,5	27,0	50,0	7,00
50 x 1/2"	31	15,0	27,0	27,5	61,0	11,30
50 x 1 1/2"	31	21,4	27,0	37,0	61,0	11,30
63 x 1/2"	38	15,0	33,5	37,5	76,0	16,76
63 x 2"	38	25,7	33,5	46,0	76,0	16,76
75 x 2 1/2"	44	30,2	41,0	54,5	91,0	34,25
90 x 3"	51	33,3	48,5	66,0	109,0	49,81
110 x 4"	61	39,3	61,5	83,0	133,0	84,28



TIMV

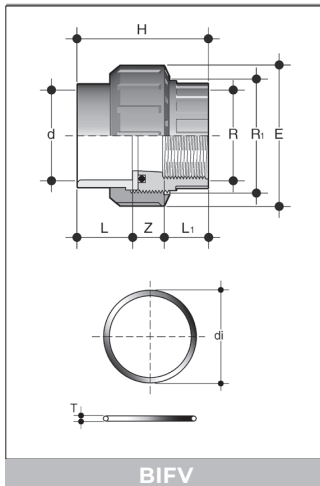
 T-STUKKEN 90°  
 TES A 90°  
 TEES 90°

Tegenoverliggende zijden met lijmmof, de spruit met cilindrische binnendraad en met RVS ring versterkt.

Côtés opposés femelles à coller, tubulure centrale femelle à filetage cylindrique et renforcée au piquage.

Opposite sides with sockets for solvent welding, third socket parallel threaded with stainless steel reinforcing metal ring.

d x R	L	L'	Z	Z'	E	E'	€/ST/PC
16 x 3/8"	14	11,4	9,0	11	23,5	24,5	4,13
20 x 1/2"	16	15,0	11,0	13	28,5	29,5	5,11
25 x 3/4"	19	16,3	14,0	17	35,0	36,0	6,31
32 x 1"	22	19,1	17,5	21	43,0	44,0	7,26
40 x 1 1/4"	26	21,4	22,0	27	50,0	51,0	10,43
50 x 1 1/2"	31	21,4	27,0	37	61,0	62,0	14,24
63 x 2"	38	25,7	33,5	46	76,0	77,0	19,11



BIFV

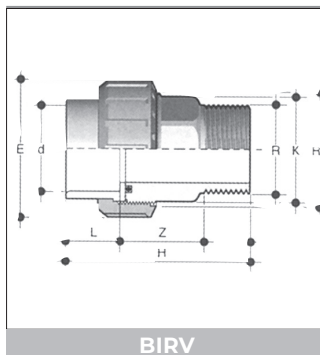
 DRIEDELIGE OVERGANGSKOPPELINGEN  
 RACCORDS D'ADAPTATION 3 PIECES  
 SOCKETS UNIONS

Eén zijde lijmstof, andere zijde cilindrische binnendraad.  
 Afdichting: O-ring EPDM.  
 Ook leverbaar met FPM O-ring.

Un côté femelle à coller, un côté femelle à filetage cylindrique.  
 Etanchéité: joint torique EPDM.  
 Egalement disponibles avec joint torique FPM.

One end plain for solvent welding, the other end parallel threaded.  
 Sealing: O-ring EPDM.  
 Also available with FPM gasket.

d x R	R <sup>1</sup>	PN	H	L	L <sup>1</sup>	Z	E	€/ST/PC
16 x 3/8"	3/4"	16	41	14	11.4	15.6	33	8.30
20 x 1/2"	1"	16	45	16	15.0	14.0	41	8.46
25 x 3/4"	1 1/4"	16	51	19	16.3	15.7	50	9.57
32 x 1"	1 1/2"	16	57	22	19.1	15.9	58	12.09
40 x 1 1/4"	2"	16	67	26	21.4	19.6	72	14.04
50 x 1 1/2"	2 1/4"	16	72	31	21.4	19.6	79	19.38
63 x 2"	2 3/4"	16	88	38	25.7	24.0	98	26.80
75 x 2 1/2"	3 1/2"	10	116	44	30.2	34.8	120	108.81
90 x 3"	4"	10	125	51	33.3	40.7	135	128.37
110 x 4"	5"	10	145	61	39.3	44.7	163	148.96



BIRV

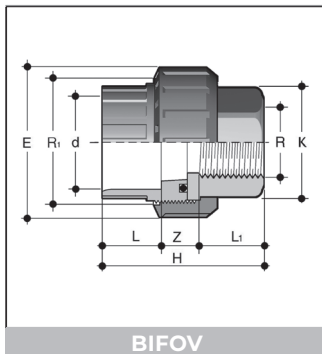
 DRIEDELIGE KOPPELINGEN  
 RACCORDS D'ADAPTATION 3 PIECES  
 SOCKETS UNIONS

Inlegstuk: hard PVC met lijmstof  
 Puntstuk: PVC met cilindrische buitendraad  
 Wartelmoer: PVC  
 Afdichting: EPDM  
 Ook leverbaar met FPM O-ring.

Pièce folle: PVC rigide, femelle à coller  
 Pièce taraudée: PVC, mâle fileté  
 Ecou: PVC  
 Etanchéité: EPDM  
 Egalement disponibles avec joint torique FPM.

Insert: uPVC socket for solvent welding  
 Close end: PVC threaded spigot  
 Union nut: PVC  
 Sealing: EPDM  
 Also available with FPM gasket.

d x R	R <sup>1</sup>	PN	H	L	L <sup>1</sup>	Z	E	CH	€/ST/PC
50 x 1 1/2"	2 1/4"	16	98	31	21.4	45.6	79	51	13.84
50 x 2"	2 1/4"	16	102	31	25.7	45.3	79	51	15.25
63 x 2"	2 3/4"	16	116	38	25.7	52.3	98	63	17.24



BIFOV

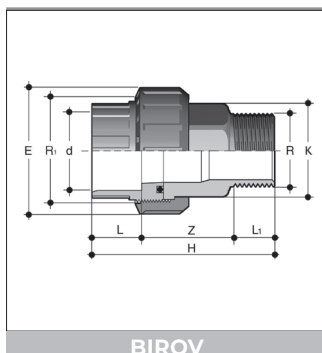
 DRIEDELIGE KOPPELINGEN  
 RACCORDS D'ADAPTATION 3 PIECES  
 SOCKETS UNIONS

Inlegstuk: hard PVC met lijmof  
 Puntstuk: messing met parallel binnendraad  
 Wartelmoer: PVC  
 Afdichting: O-ring EPDM

Pièce folle: PVC rigide, côté femelle à coller  
 Pièce taraudée: laiton, femelle à filetage parallèle  
 Ecrou: PVC  
 Etanchéité: joint torique EPDM

Insert: uPVC, socket for solvent welding  
 Close end: brass with parallel female threaded  
 Union nut: PVC  
 Sealing: O-ring EPDM

d x R	R1	PN	L1	Z	L	H	K	E	€/ST/PC
16 x 3/8"	3/4"	16	13.5	18.0	14	45.5	20	33	14.52
20 x 1/2"	1"	16	16.5	16.0	16	48.5	25	41	15.16
25 x 3/4"	1 1/4"	16	18.5	17.0	19	54.5	32	50	19.75
32 x 1"	1 1/2"	16	19.5	18.0	22	59.5	38	58	25.04
40 x 1 1/4"	2"	16	21.5	21.0	26	68.5	48	72	38.09
50 x 1 1/2"	2 1/4"	16	23.0	24.5	31	84.5	55	79	39.00
63 x 2"	2 3/4"	16	27.0	29.5	38	94.5	69	98	59.53



BIOV

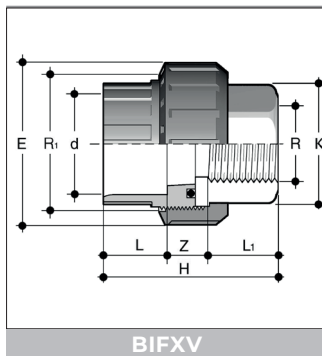
 DRIEDELIGE KOPPELINGEN  
 RACCORDS D'ADAPTATION 3 PIECES  
 SOCKETS UNIONS

Inlegstuk: hard PVC met lijmof  
 Puntstuk: messing met parallel buitendraad  
 Wartelmoer: PVC  
 Afdichting: O-ring EPDM

Pièce folle: PVC rigide, côté femelle à coller  
 Pièce taraudée: laiton, mâle à filetage parallèle  
 Ecrou: PVC  
 Etanchéité: joint torique EPDM

Insert: uPVC, socket for solvent welding  
 Close end: brass with parallel male threaded  
 Union nut: PVC  
 Sealing: O-ring EPDM

d x R	R1	PN	L1	Z	L	H	K	E	€/ST/PC
16 x 3/8"	3/4"	16	10.5	34.0	14	58.5	20	33	14.62
20 x 1/2"	1"	16	13.5	35.5	16	65.0	25	41	15.91
25 x 3/4"	1 1/4"	16	15.0	38.5	19	72.5	32	50	20.77
32 x 1"	1 1/2"	16	17.5	40.5	22	80.0	38	58	26.21
40 x 1 1/4"	2"	16	19.5	45.5	26	91.0	48	72	39.97
50 x 1 1/2"	2 1/4"	16	19.5	50.5	31	101.0	55	79	46.88
63 x 2"	2 3/4"	16	24.0	60.5	38	122.5	69	98	62.50



BIFXV

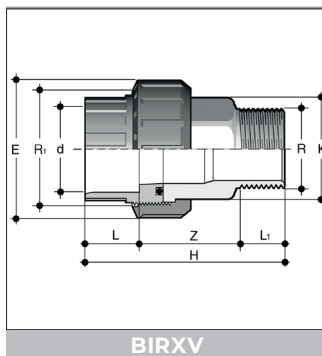
 DRIEDELIGE KOPPELINGEN  
 RACCORDS D'ADAPTATION 3 PIECES  
 SOCKETS UNIONS

Inlegstuk: hard PVC met lijmof  
 Puntstuk: RVS A316 L met BSP binnendraad  
 Wartelmoer: PVC  
 Afdichting: O-ring EPDM of FPM

Pièce folle: PVC rigide, côté femelle à coller  
 Pièce taraudée: inox A316 L, femelle à filetage BSP  
 Ecrou: PVC  
 Etanchéité: joint torique EPDM / FPM

Insert: uPVC, socket for solvent welding  
 Close end: BSP threaded A316 L stainless steel female  
 Union nut: PVC  
 Sealing: O-ring EPDM or FPM

d x R	R1	PN	L1	Z	L	H	K	E	€/ST/PC	
									EPDM	FPM
16 x 3/8"	3/4"	16	13.5	18.0	14	45.5	20	33	64.96	68.94
20 x 1/2"	1"	16	16.5	16.0	16	48.5	25	41	69.39	73.56
25 x 3/4"	1 1/4"	16	18.5	17.0	19	54.5	32	50	79.57	83.39
32 x 1"	1 1/2"	16	19.5	18.0	22	59.5	38	58	91.70	96.67
40 x 1 1/4"	2"	16	21.5	21.0	26	68.5	48	72	129.96	134.60
50 x 1 1/2"	2 1/4"	16	23.0	30.5	31	84.5	55	79	143.29	151.61
63 x 2"	2 3/4"	16	27.0	29.5	38	94.5	69	98	182.21	190.67



BIRXV

 DRIEDELIGE KOPPELINGEN  
 RACCORDS D'ADAPTATION 3 PIECES  
 SOCKETS UNIONS

Inlegstuk: hard PVC met lijmof  
 Puntstuk: RVS A316 L met BSP buitendraad  
 Wartelmoer: PVC  
 Afdichting: O-ring EPDM of FPM

Pièce folle: PVC rigide, côté femelle à coller  
 Pièce taraudée: inox A316 L, mâle à filetage BSP.  
 Ecrou: PVC  
 Etanchéité: joint torique EPDM ou FPM

Insert: uPVC, socket for solvent welding  
 Close end: BSP threaded A316 L stainless steel male  
 Union nut: PVC  
 Sealing: O-ring EPDM or FPM

d x R	R1	PN	L1	Z	L	H	K	E	€/ST/PC	
									EPDM	FPM
16 x 3/8"	3/4"	16	10.5	34.0	14	58.5	20	33	69.86	73.30
20 x 1/2"	1"	16	13.5	35.5	16	65.0	25	41	73.84	77.73
25 x 3/4"	1 1/4"	16	15.0	38.5	19	72.5	32	50	83.10	86.73
32 x 1"	1 1/2"	16	17.5	40.5	22	80.0	38	58	93.74	99.25
40 x 1 1/4"	2"	16	19.5	45.5	26	91.0	48	72	130.03	139.72
50 x 1 1/2"	2 1/4"	16	19.5	50.5	31	101.0	55	79	154.47	162.02
63 x 2"	2 3/4"	16	24.0	60.5	38	122.5	69	98	213.26	232.79

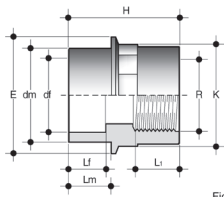


Fig. A

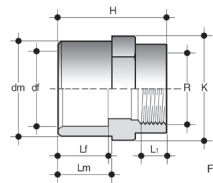


Fig. B

DIFV

 VERMINDERINGSSTUKKEN  
 RACCORDS D'ADAPTATION ET DE REDUCTION  
 DOUBLE ADAPTOR SOCKET

Eén zijde cilindrische binnendraad, andere zijde in-en uitwendige lijmaansluiting.  
 Un côté femelle à filetage cylindrique, l'autre à coller mâle ou femelle.  
 One end female parallel threaded, the other end male and female for solvent welding.

dm x df x R	H	Lm	Lf	L'	E	K	FIG.	PN	€/ST/PC
20 x 16 x 3/8"	36	16	14	11.4	28	24	A	16	2.81
20 x 16 x 1/2"	39	16	14	15.0		30	B	16	3.75
25 x 20 x 1/2"	42	19	16	15.0	34	29	A	16	3.75
25 x 20 x 3/4"	45	19	16	16.3		36	B	16	4.47
32 x 25 x 3/4"	49	22	19	16.3	40	35	A	16	4.47
32 x 25 x 1"	51	22	19	19.1		46	B	16	4.78
40 x 32 x 1"	57	26	22	19.1	52	44	A	16	4.78
40 x 32 x 1 1/4"	62	26	22	21.4		54	B	16	8.46
50 x 40 x 1 1/4"	67	31	26	21.4	59	54	A	16	8.46
50 x 40 x 1 1/2"	72	31	26	21.4		65	B	16	9.72
63 x 50 x 1 1/2"	77	38	31	21.4	70	64	A	16	9.72
63 x 50 x 2"	86	38	31	25.7		80	B	16	13.10
75 x 63 x 2"	76	44	38	25.7		76	B	16	13.10
75 x 63 x 2 1/2"	99	44	38	30.2		95	B	16	19.38
90 x 75 x 2 1/2"	84	51	44	30.2		95	B	16	19.38
90 x 75 x 3"	114	51	44	33.3		110	B	16	26.80
110 x 90 x 3"	100	61	51	33.3		110	B	16	26.80
110 x 90 x 4"	134	61	51	39.3		130	B	16	41.59
125 x 110 x 4"	111	69	61	39.3		131	B	16	41.59

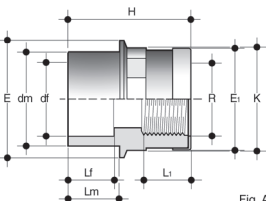


Fig. A

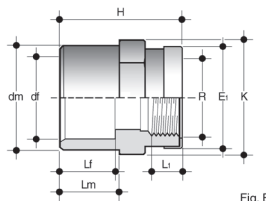


Fig. B

DIMV

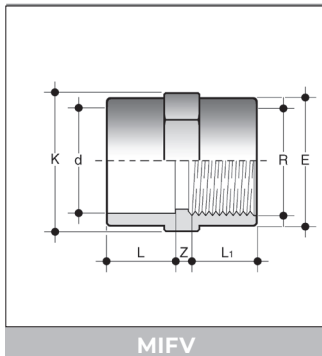
 VERMINDERINGSSTUKKEN  
 RACCORDS D'ADAPTATION ET DE REDUCTION  
 DOUBLE ADAPTOR SOCKET

Eén zijde cilindrische binnendraad, met RVS ring versterkt, andere zijde in- en uitwendige lijmaansluiting.

Un côté femelle à filetage cylindrique renforcé d'une bague en inox, l'autre côté à coller comme mâle ou femelle.

One end female parallel threaded with stainless steel reinforcing ring, the other end male and female for solvent welding.

dm x df x R	H	Lm	Lf	L'	E	K	FIG.	PN	€/ST/PC
20 x 16 x 3/8"	37	16	14	11.4	28	24.5	A	16	4.06
20 x 16 x 1/2"	40	16	14	15.0		29.5	B	16	5.37
25 x 20 x 1/2"	43	19	16	15.0	34	29.5	A	16	5.37
25 x 20 x 3/4"	46	19	16	16.3		36.0	B	16	6.31
32 x 25 x 3/4"	50	22	19	16.3	40	36.0	A	16	6.36
32 x 25 x 1"	52	22	19	19.1		44.0	B	16	6.66
40 x 32 x 1"	58	26	22	19.1	52	44.0	A	16	6.66
40 x 32 x 1 1/4"	63	26	22	21.4		55.0	B	16	11.96
50 x 40 x 1 1/4"	68	31	26	21.4	59	55.0	A	16	11.96
50 x 40 x 1 1/2"	73	31	26	21.4		62.0	B	16	13.67
63 x 50 x 1 1/2"	78	38	31	21.4	70	62.0	A	16	13.67
63 x 50 x 2"	87	38	31	25.7		77.0	B	16	18.20
75 x 63 x 2"	77	44	38	25.7		77.0	B	16	18.20

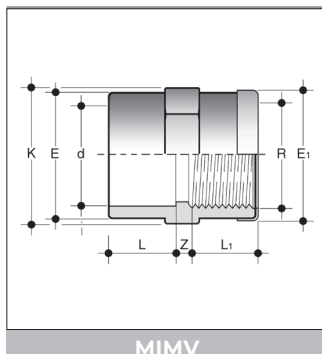


MIFV

 OVERGANGSSTUKKEN  
 MANCHONS D'ADAPTATION  
 ADAPTOR COUPLINGS

Eén zijde lijmof, andere zijde cilindrische binnendraad.  
 Un côté femelle à coller, un côté femelle à filetage cylindrique.  
 One socket for solvent welding, the other end interior parallel threaded.

d x R	L	L <sup>1</sup>	Z	E	K	€/ST/PC
16 x 3/8"	14	11.4	5.5	23.5	24	2.24
20 x 1/2"	16	15.0	4.0	28.5	29	2.35
25 x 3/4"	19	16.3	5.0	35.0	35	2.67
32 x 1 "	22	19.1	5.6	43.0	43	3.20
40 x 1 1/4"	26	21.4	5.0	50.0	50	4.21
50 x 1 1/2"	31	21.4	8.0	61.0	61	5.49
63 x 2 "	38	25.7	7.5	76.0	76	9.23



MIMV

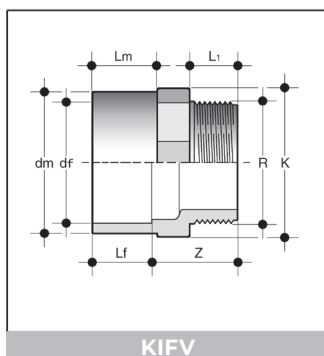
 OVERGANGSSTUKKEN  
 MANCHONS D'ADAPTATION  
 ADAPTOR COUPLINGS

Eén zijde lijmof, andere zijde cilindrische binnendraad met RVS ring versterkt.

Un côté femelle à coller, un côté femelle à filetage cylindrique renforcé d'une bague en inox.

One socket for solvent welding, the other end interior parallel threaded with stainless steel reinforcing ring.

d x R	L	L <sup>1</sup>	Z	E	E <sup>1</sup>	K	€/ST/PC
16 x 3/8"	14	11.4	5.5	23.5	24.5	24	3.62
20 x 1/2"	16	15.0	4.0	28.5	29.5	29	3.73
25 x 3/4"	19	16.3	5.0	35.0	36.0	35	4.12
32 x 1 "	22	19.1	5.6	43.0	44.0	43	5.46
40 x 1 1/4"	26	21.4	5.0	50.0	51.0	50	6.43
50 x 1 1/2"	31	21.4	8.0	61.0	62.0	61	8.76
63 x 2 "	38	25.7	7.5	76.0	77.0	76	10.64

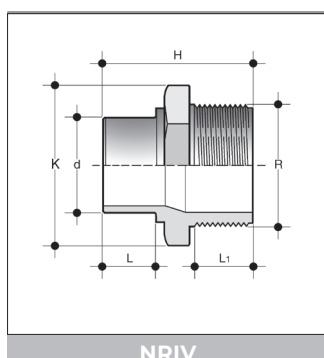


KIFV

 OVERGANGSSTUKKEN  
 EMBOUTS D'ADAPTATION  
 ADAPTOR FITTINGS

Eén zijde cilindrische buitendraad, andere zijde in-en uitwendige lijmaansluiting.  
 Un côté mâle à filetage cylindrique, l'autre à coller mâle ou femelle.  
 One end exterior parallel threaded, the other end male and female for solvent welding.

dm x df x R	L <sup>1</sup>	Lf	Lm	Z	K	G/ST/PC	€/ST/PC
16 x 12 x 3/8"	11.4	12	14	20.5	19	10	1.72
20 x 16 x 3/8"	11.4	14	16	24.0	24	10	1.72
20 x 16 x 1/2"	15.0	14	16	27.0	24	15	1.72
25 x 20 x 1/2"	15.0	16	19	27.0	30	15	1.83
25 x 20 x 3/4"	16.3	16	19	28.0	30	20	1.83
32 x 25 x 1/2"	15.0	19	22	27.0	36	25	2.50
32 x 25 x 3/4"	16.3	19	22	28.0	36	25	1.93
32 x 25 x 1"	19.1	19	22	31.0	36	45	1.93
40 x 32 x 3/4"	16.3	22	26	28.0	46	40	2.22
40 x 32 x 1"	19.1	22	26	31.0	46	40	2.22
40 x 32 x 1 1/4"	21.4	22	26	34.0	46	55	2.22
50 x 40 x 1"	19.1	2	31	33.0	55	70	2.92
50 x 40 x 1 1/4"	21.4	26	31	36.0	55	70	2.92
50 x 40 x 1 1/2"	21.4	26	31	36.0	55	70	2.92
63 x 50 x 1 1/4"	21.4	31	38	36.0	65	70	4.21
63 x 50 x 1 1/2"	21.4	31	38	36.0	65	115	4.21
63 x 50 x 2"	25.7	31	38	40.0	65	125	4.21
75 x 63 x 1 1/2"	21.4	38	44	36.0	75	198	6.49
75 x 63 x 2"	25.7	38	44	40.0	75	160	6.49
75 x 63 x 2 1/2"	30.2	38	44	47.0	80	195	6.49
90 x 75 x 2"	25.7	44	51	49.0	95	275	10.86
90 x 75 x 2 1/2"	30.2	44	51	54.0	95	280	10.86
90 x 75 x 3"	33.5	44	51	56.0	95	300	10.86
110 x 90 x 2 1/2"	30.2	51	61	57.0	110	370	15.99
110 x 90 x 3"	33.5	51	61	62.0	110	390	15.99
110 x 90 x 4"	39.2	51	61	77.0	128	420	15.99
125 x 110 x 3"	33.5	61	69	59.0	128	450	24.97
125 x 110 x 4"	39.2	61	69	65.0	128	500	24.97



NRIV

 VERMINDERINGSSTUKKEN  
 RACCORDS D'ADAPTATION ET DE REDUCTION  
 REDUCING NIPPLES

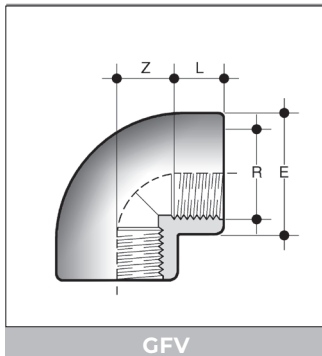
Eén zijde uitwendige lijmmof, andere zijde cilindrische buitendraad.  
 Un côté mâle à coller, l'autre côté mâle à filetage cylindrique.  
 One end spigot for solvent welding, other end male parallel threaded.

d x R	L	L1	H	K	€/ST/PC
25 x 1"	19	26	60	46	5.99
32 x 1 1/4"	22	28	66	55	6.66



draadfittingen  
raccords filetés  
threaded fittings

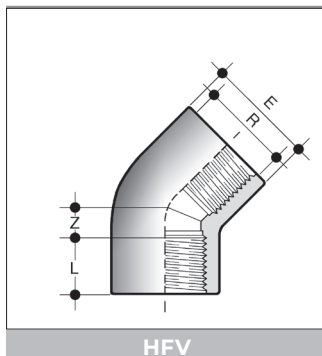
PVC



KNIEEN 90°  
COUDES 90°  
ELBOWS 90°

Beide zijden cilindrische binnendraad.  
Deux côtés femelles à filetage cylindrique.  
Both ends with interior parallel threads.

R	L	Z	E	€/ST/PC
3/8"	11.4	13	23.5	2.13
1/2"	15.0	13	28.5	2.30
3/4"	16.3	17	35.0	2.79
1"	19.1	21	43.0	3.33
1 1/4"	21.4	27	50.0	5.54
1 1/2"	21.4	36	61.0	8.15
2"	25.7	46	76.0	11.85
2 1/2"	30.2	55	90.0	29.78
3"	33.3	66	108.0	43.82
4"	39.3	80	131.0	69.31



KNIEEN 45°  
COUDES 45°  
ELBOWS 45°

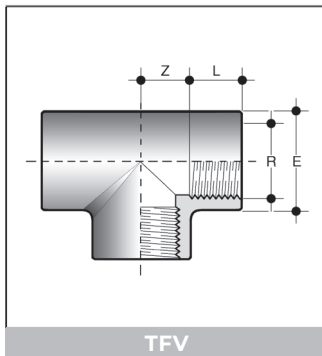
Alle zijden cilindrische binnendraad.  
Deux côtés femelles à filetage cylindrique.  
All ends with interior parallel threads.

R	L	Z	E	€/ST/PC
1/2"	15.0	6.5	28	5.48
3/4"	16.3	8.0	33	5.59
1"	19.1	10.4	41	7.26
1 1/4"	21.4	15.0	50	9.53
1 1/2"	21.4	21.0	64	13.67
2"	25.7	26.0	76	19.80
2 1/2"	31.0	31.0	90	45.68
3"	33.3	39.0	107	62.16



draadfittingen  
raccords filetés  
threaded fittings

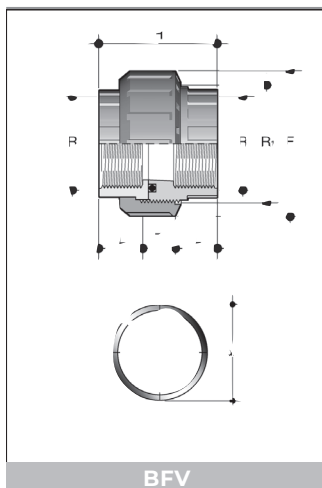
PVC



T-STUKKEN 90°  
TES A 90°  
TEES 90°

Alle zijden cilindrische binnendraad.  
Trois côtés femelles à filetage cylindrique.  
All ends with interior parallel threads.

R	L	Z	E	€/ST/PC
3/8"	11.4	13.0	23.5	2.50
1/2"	15.0	13.0	28.5	2.67
3/4"	16.3	17.0	35.0	3.46
1"	19.1	21.5	43.0	4.39
1 1/4"	21.4	27.0	50.0	6.19
1 1/2"	21.4	37.0	61.0	9.72
2"	25.7	46.0	76.0	18.15
2 1/2"	30.2	55.0	90.0	41.39
3"	33.3	66.0	109.0	58.18
4"	39.3	83.0	133.0	103.51



DRIEDELIGE KOPPELINGEN  
RACCORDS-UNIONS 3 PIECES  
SOCKET UNIONS

Beide zijden cilindrische binnendraad.  
Afdichting : O-ring EPDM. Ook leverbaar met FPM-ring : zie hoofdstuk VII Toebeoren.

Deux côtés femelles à filetage cylindrique.  
Etanchéité : joint torique EPDM. Egalement disponible avec joint torique FPM : voir chapitre VII Accessoires.

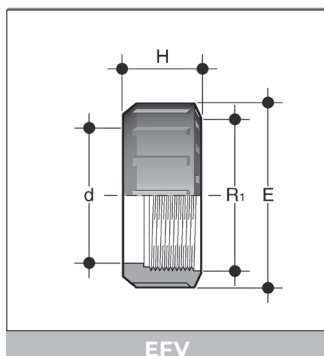
Both ends with interior parallel threads.  
Sealing : O-ring EPDM. Also available with FPM ring : see chapter VII Accessories.

R	R1	H	L	Z	E	€/ST/PC
3/8"	3/4"	40	11.4	17.2	33	8.12
1/2"	1"	46	15.0	16.0	41	8.30
3/4"	1 1/4"	51	16.3	18.4	50	8.90
1"	1 1/2"	57	19.1	18.8	58	11.64
1 1/4"	2"	65	21.4	22.2	72	16.09
1 1/2"	2 1/4"	65	21.4	22.2	79	20.24
2"	2 3/4"	78	25.7	26.6	98	24.92



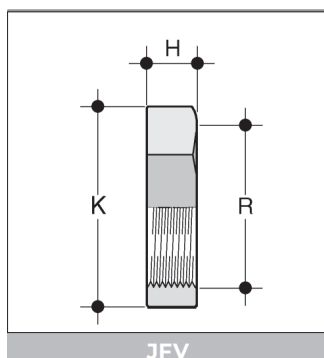
draadfittingen  
raccords filetés  
threaded fittings

PVC



WARTELMOEREN  
ECROUS FILETES  
NUTS

R <sup>1</sup>	PN	d	H	E	€/ST/PC
1/2"	16	17	24	27	1.26
3/4"	16	22	21	33	2.15
1"	16	28	22	41	2.82
1 1/4"	16	28	22	50	3.09
1 1/2"	16	36	25	58	5.15
2"	16	53	30	72	6.12
2 1/4"	16	59	34	79	13.42
2 1/2"	16	68	36	90	14.22
2 3/4"	16	74	38	98	14.49
3 1/2"	10	93	42	121	34.74
4"	10	105	46	140	42.48
5"	10	129	52	165	52.11



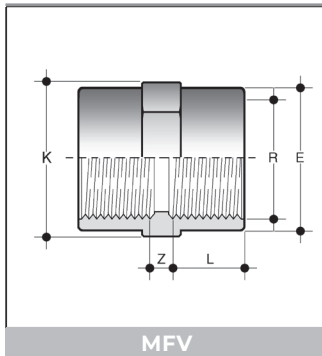
WARTELMOEREN  
ECROUS FILETES  
NUTS

R	H	K	€/ST/PC
1/2"	13	28	4.88
3/4"	13	33	5.48
1"	10	54	5.49
1 1/4"	10	63	6.08
1 1/2"	19	60	32.40
2"	21	79	38.84



draadfittingen  
raccords filetés  
threaded fittings

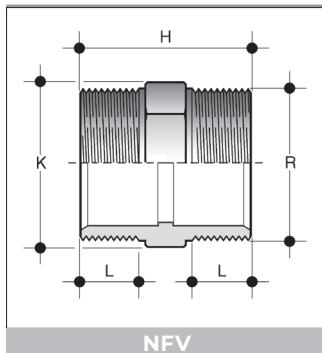
PVC



SOKKEN  
MANCHONS  
DOUBLE SOCKETS

Beide zijden cilindrische binnendraad.  
Deux côtés femelles à filetage cylindrique.  
Both ends with interior parallel thread.

R	L	Z	E	K	G/ST/PC	€/ST/PC
3/8"	11.4	8.0	23.5	24	10	<b>2.24</b>
1/2"	15.0	7.0	28.5	29	17	<b>2.35</b>
3/4"	16.3	8.5	35.0	35	26	<b>2.67</b>
1"	19.1	9.0	43.0	43	42	<b>3.27</b>
1 1/4"	21.4	11.0	50.0	50	53	<b>4.12</b>
1 1/2"	21.4	17.5	61.0	61	108	<b>6.48</b>
2"	25.7	19.5	76.0	76	190	<b>8.40</b>
2 1/2"	30.0	9.0	89.0	90	215	<b>25.83</b>
3"	33.0	10.0	106.0	108	305	<b>31.27</b>
4"	39.0	11.0	130.0	131	652	<b>46.94</b>



NIPPEL  
MAMELON DOUBLE  
NIPPLE

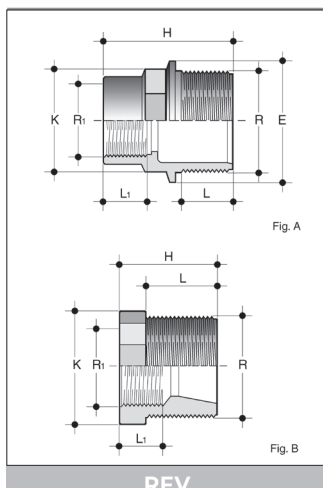
Beide zijden cilindrische buitendraad.  
Deux côtés mâles à filetage cylindrique.  
Both ends with exterior parallel thread.

R	E	L	K	H	G/ST/PC	€/ST/PC
3/8"	22	11.4	18	33	5	<b>1.94</b>
1/2"	28	15.0	23	41	10	<b>2.06</b>
3/4"	34	16.3	28	45	16	<b>2.27</b>
1"	40	19.1	35	51	27	<b>2.39</b>
1 1/4"	52	21.4	44	57	40	<b>3.62</b>
1 1/2"	58	21.4	51	58	55	<b>4.53</b>
2"	70	25.7	64	68	93	<b>5.82</b>
*2 1/2"	-	30.2	80	78	150	<b>14.46</b>
*3"	-	33.3	95	85	225	<b>28.06</b>
*4"	-	39.3	120	97	380	<b>46.62</b>

\* PN 16 met gereduceerde veiligheidsfactor

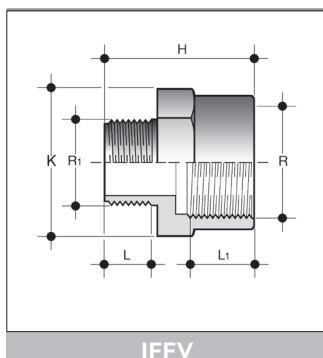
\* PN 16 avec un facteur de sécurité réduit

\* PN 16 with reduced safety factor


 VERMINDERINGSSTUKKEN  
 REDUCTIONS  
 REDUCERS

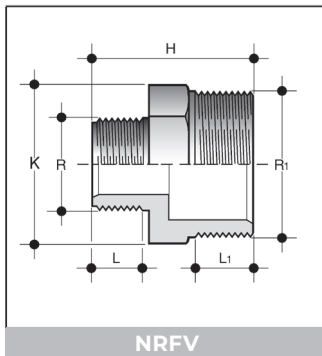
Eén zijde cilindrische binnendraad, andere zijde cilindrische buitendraad.  
 Un côté femelle et un côté mâle à filetage cylindrique.  
 One end with interior threads, the other end with exterior parallel threads.

R x R <sub>1</sub>	L <sub>1</sub>	L	H	E	K	TYPE	€/ST/PC
1/2" x 3/8"	11.4	15.0	35	28	23	A	2.13
3/4" x 3/8"	11.4	16.3	36	34	28	A	2.13
3/4" x 1/2"	15.0	16.3	39	34	28	A	2.13
1" x 3/8"	11.4	19.1	41	40	35	A	2.67
1" x 1/2"	15.0	19.1	44	40	35	A	2.67
1" x 3/4"	16.3	19.1	46	40	35	A	2.67
1 1/4" x 1/2"	15.0	21.4	48	52	44	A	3.75
1 1/4" x 3/4"	16.3	21.4	49	52	44	A	3.75
1 1/4" x 1"	19.1	21.4	52	52	44	A	3.75
1 1/2" x 1/2"	15.0	21.4	52	58	51	A	4.92
1 1/2" x 3/4"	16.3	21.4	50	58	51	A	4.92
1 1/2" x 1"	19.1	21.4	55	58	51	A	4.92
1 1/2" x 1 1/4"	21.4	21.4	57	58	51	A	4.92
2" x 3/4"	16.3	25.7	60	70	64	A	7.00
2" x 1"	19.1	25.7	63	70	64	A	7.00
2" x 1 1/4"	21.4	25.7	65	70	64	A	7.00
2" x 1 1/2"	21.4	25.7	65	70	64	A	7.00
2 1/2" x 2"	25.7	30.2	56	-	80	B	18.87
3" x 2"	25.7	33.3	66	-	93	B	29.62
3" x 2 1/2"	30.2	33.3	66	-	93	B	29.62
4" x 3"	33.3	39.3	79	-	118	B	46.99


 VERMINDERINGSSTUKKEN  
 REDUCTIONS  
 REDUCERS

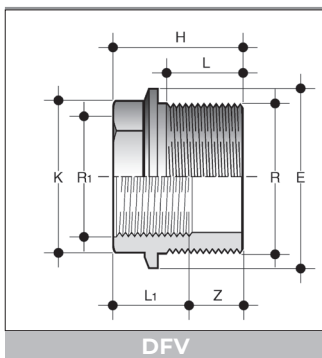
Met uitwendige en inwendige cilindrische draad.  
 Mâle et femelle à filetage cylindrique.  
 One end with interior parallel threads, other end with exterior parallel threads.

R <sub>1</sub> x R	L	L <sub>1</sub>	H	K	€/ST/PC
1/2" x 3/4"	15.0	16.3	41.0	36	3.80
1/2" x 1"	15.0	15.1	43.5	46	4.06
3/4" x 1"	16.3	19.1	45.0	46	4.06
1" x 1 1/4"	19.1	21.4	55.0	55	5.91
1 1/4" x 1 1/2"	21.4	21.4	62.0	65	7.78
1 1/2" x 2"	21.4	25.7	69.0	80	13.66
2" x 2 1/2"	25.7	30.2	81.0	95	15.94
2 1/2" x 3"	30.2	33.3	93.0	110	25.94
3" x 4"	33.3	39.3	106.0	130	39.51


 VERMINDERINGSNIPPELS  
 MAMELONS DE REDUCTION  
 REDUCING BARREL NIPPELS

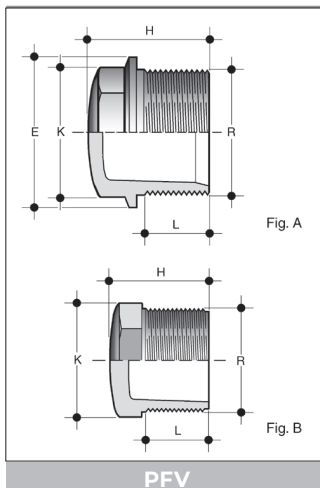
Beide zijden uitwendige cilindrische draad.  
 Deux côtés mâle à filetage cylindrique.  
 Both ends with exterior parallel thread.

R x R'	L	L'	H	K	€/ST/PC
1/2" x 3/4"	15.0	16.3	43	30	<b>2.35</b>
3/4" x 1"	16.3	19.1	48	36	<b>3.65</b>
1" x 1 1/4"	19.1	21.4	54	46	<b>3.75</b>
1 1/4" x 1 1/2"	21.4	21.4	57	50	<b>5.62</b>
1 1/2" x 2"	21.4	25.7	62	65	<b>6.82</b>
2" x 2 1/2"	25.7	30.2	73	80	<b>15.08</b>
2 1/2" x 3"	30.2	33.3	82	95	<b>29.62</b>
3" x 4"	33.3	39.3	90	120	<b>45.06</b>


 VERMINDERINGSBUSSEN  
 DOUILLES DE REDUCTION  
 REDUCING BUSHES

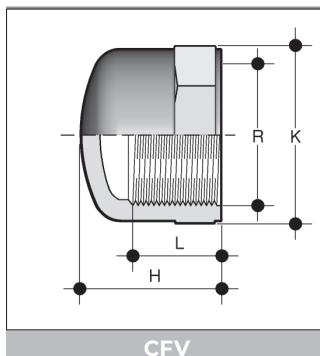
Met cilindrische binnen- en buitendraad.  
 Mâle et femelle à filetage cylindrique.  
 Interior and exterior parallel thread.

R x R'	L	L'	Z	H	E	K	€/ST/PC
1/2" x 3/8"	15.0	11.4	12.5	12.6	24.0	23	<b>2.14</b>
3/4" x 1/2"	16.3	15.0	11.5	11.5	26.5	28	<b>2.50</b>
1" x 3/4"	19.1	16.3	13.7	14.2	30.5	35	<b>3.30</b>
1 1/4" x 1"	21.4	19.1	14.4	14.9	34.0	44	<b>4.21</b>
1 1/2" x 1 1/4"	21.4	21.4	31.1	13.6	35.0	51	<b>5.19</b>
2" x 1 1/2"	25.7	21.4	18.6	18.6	40.0	64	<b>7.00</b>


**DRAADSTOPPEN**  
**BOUCHONS MALE**  
**MALE PLUGS**

Met cilindrische buitendraad.  
 Mâle à filetage cylindrique.  
 Exterior parallel threads.

R	L	H	E	K	TYPE	€/ST/PC
<b>3/8"</b>	11.4	22	22	18	A	<b>1.63</b>
<b>1/2"</b>	15.0	26	28	23	A	<b>1.82</b>
<b>3/4"</b>	16.3	30	34	28	A	<b>2.02</b>
<b>1"</b>	19.1	34	40	35	A	<b>2.35</b>
<b>1 1/4"</b>	21.4	38	52	44	A	<b>3.46</b>
<b>1 1/2"</b>	21.4	40	58	51	A	<b>4.39</b>
<b>2"</b>	25.7	43	-	64	B	<b>4.91</b>
<b>2 1/2"</b>	30.2	61	-	80	B	<b>22.50</b>
<b>3"</b>	33.3	71	-	93	B	<b>30.23</b>
<b>4"</b>	39.3	87	-	118	B	<b>67.95</b>


**AFSLUITKAPPEN**  
**BOUCHONS**  
**END CAPS**

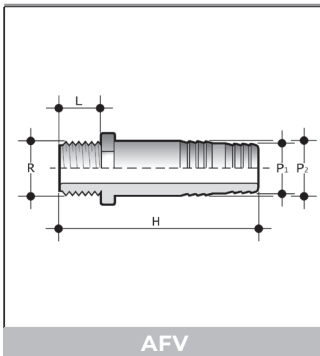
Met cilindrische binnendraad.  
 Femelle à filetage cylindrique.  
 Interior parallel thread.

R	L	H	K	€/ST/PC
<b>3/8"</b>	11.4	19	23.0	<b>1.94</b>
<b>1/2"</b>	15.0	25	28.0	<b>2.18</b>
<b>3/4"</b>	16.3	27	34.0	<b>2.85</b>
<b>1"</b>	19.1	31	42.0	<b>3.19</b>
<b>1 1/4"</b>	21.4	35	51.0	<b>4.04</b>
<b>1 1/2"</b>	21.4	36	58.0	<b>5.56</b>
<b>2"</b>	25.7	42	71.0	<b>7.26</b>
<b>3"</b>	33.3	55	109.0	<b>24.92</b>



draadfittingen  
raccords filetés  
threaded fittings

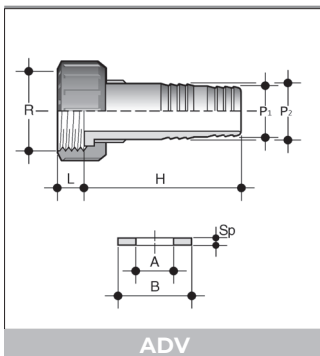
PVC



SLANGPILAREN  
EMBOUITS CANNELES  
HOSE ADAPTORS

Met cilindrische buitendraad.  
Mâle à filetage cylindrique.  
Exterior parallel thread.

P <sub>1</sub> x P <sub>2</sub> x R	L	H	€/ST/PC
12 x 14 x 1/4"	11.0	56	1.71
16 x 18 x 3/8"	11.4	58	1.98
20 x 22 x 1/2"	15.0	66	2.30
25 x 27 x 3/4"	16.3	81	2.56
30 x 32 x 1"	19.1	97	3.27
40 x 42 x 1 1/4"	21.4	104	4.39
50 x 52 x 1 1/2"	21.4	111	5.57
60 x 64 x 2"	25.7	123	8.65



SLANGPILAREN  
EMBOUITS CANNELES  
HOSE ADAPTORS

Aansluiting met wartelmoer met cilindrische binnendraad.  
Inclusief afdichting : vlakke EPDM-ring of FPM.

Raccordement par écrou femelle à filetage cylindrique.  
Étanchéité inclus: joint plat EPDM ou FPM.

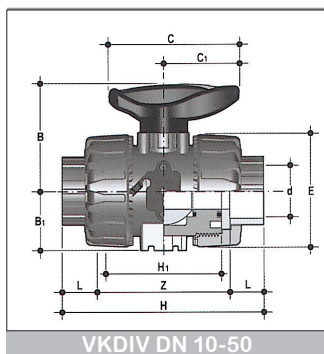
With parallel threaded nut connection.  
Flat seal included: EPDM or FPM.

P <sub>1</sub> x P <sub>2</sub> x R	L	H	€/ST/PC
12 x 14 x 1/2"	14.0	56	3.75
16 x 18 x 3/4"	11.5	60	4.92
20 x 22 x 1"	11.0	67	5.20
25 x 27 x 1 1/4"	14.0	81	5.99
30 x 32 x 1 1/2"	16.0	97	7.00
40 x 42 x 2"	18.0	104	9.18
50 x 52 x 2"	16.0	111	14.64
50 x 52 x 2 1/4"	17.5	111	14.64
60 x 64 x 2 1/2"	19.0	123	31.80
60 x 64 x 2 3/4"	20.0	123	31.80



kranen  
vannes  
valves

PVC

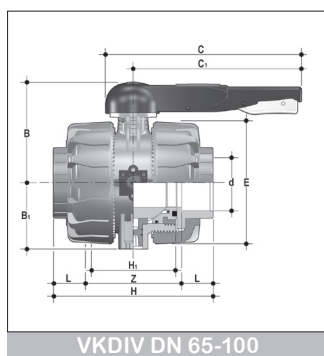


KOGELKRANEN  
VANNES A BILLE  
BALL VALVES

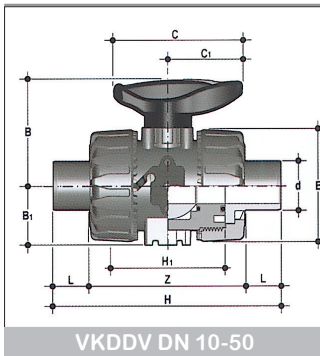
2-Wegkogelafsluiter, Dual Block® met metrische lijmmoffen.  
Zittingen PTFE/EPDM, PTFE/FPM.

Robinets à bille Dual Block® tournant sphérique à 2 voies. Avec embouts femelles à coller.  
Sièges PTFE/EPDM, PTFE/FPM.

2-Way ball valve Dual Block® with lockable nuts, metric series plain female ends for solvent  
welding. Seats PTFE/EPDM, PTFE/FPM.



D	DN	L	Z	H	H1	E	B	B1	C	C1	PN	G/ST/PC	€/ST/PC	
													EPDM	FPM
16	10	14	75	103	65	54	54.0	29.0	67	40	16	215	39.37	47.77
20	15	16	71	103	65	54	54.0	29.0	67	40	16	205	41.00	49.01
25	20	19	77	115	70	65	65.0	34.5	85	49	16	330	48.48	58.73
32	25	22	84	128	78	73	69.5	39.0	85	49	16	438	60.37	73.01
40	32	26	94	146	88	86	82.5	46.0	108	64	16	693	75.21	88.90
50	40	31	102	164	93	98	89.0	52.0	108	64	16	925	96.92	114.07
63	50	38	123	199	111	122	108.0	62.0	134	76	16	1577	120.68	154.58
75	65	44	147	235	133	164	164.0	87.0	225	175	16	4380	363.39	434.99
90	80	51	168	270	149	203	177.0	105.0	327	272	16	7200	462.95	550.27
110	100	61	186	308	167	238	195.0	129.0	385	330	16	11141	520.56	641.09

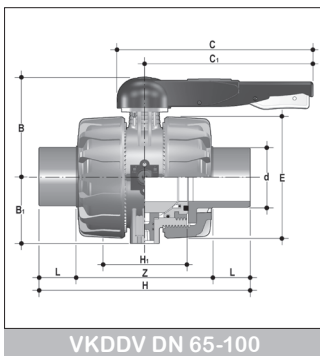


KOGELKRANEN  
VANNES A BILLE  
BALL VALVES

2-Wegkogelafsluiter, Dual Block® met metrische mannelijke lijmuiteinden.  
Zittingen PTFE/EPDM, PTFE/FPM.

Robinetts à bille Dual Block® tournant sphérique à 2 voies. Avec embouts mâles à coller.  
Sièges PTFE/EPDM, PTFE/FPM.

2-Way ball valve Dual Block® with lockable nuts, metric series plain male ends for solvent  
welding. Seats PTFE/EPDM, PTFE/FPM.



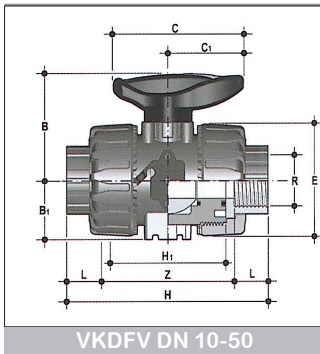
D	DN	L	H	H1	E	B	B1	C	C1	PN	G/ST/PC	€/ST/PC	
												EPDM	FPM
16	10	14	149	65	54	54.0	29.0	67	40	16	215	39.37	47.77
20	15	16	124	65	54	54.0	29.0	67	40	16	220	41.00	72.42
25	20	19	144	70	65	65.0	34.5	85	49	16	340	48.48	58.73
32	25	22	154	78	73	69.5	39.0	85	49	16	438	60.37	73.01
40	32	26	174	88	86	82.5	46.0	108	64	16	693	75.21	88.90
50	40	31	194	93	98	89.0	52.0	108	64	16	945	96.92	114.07
63	50	38	224	111	122	108.0	62.0	134	76	16	1607	120.68	154.58
75	65	44	284	133	164	164.0	87.0	225	175	16	4420	363.39	434.99
90	80	51	300	149	203	177.0	105.0	327	272	16	6930	462.95	550.27
110	100	61	340	167	238	195.0	129.0	385	330	16	10950	520.56	641.09



kranen  
vannes  
valves

DUAL BLOCK®

PVC

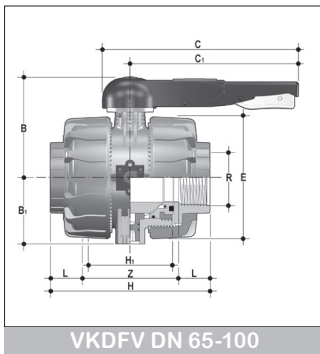


KOGELKRANEN  
VANNES A BILLE  
BALL VALVES

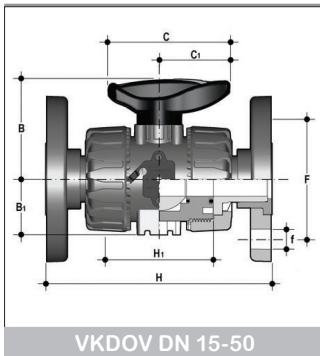
2-Wegkogelafsluiter, Dual Block® met vrouwelijke BS draadaansluitingen. NPT op aanvraag.  
Zittingen PTFE/EPDM, PTFE/FPM

Robinets à bille Dual Block® avec embouts femelles taraudés BS. NPT sur demande  
Sièges PTFE/EPDM, PTFE/FPM.

2-Way ball valve Dual Block® with BS parallel threaded female ends. NPT on request.  
Seats PTFE/EPDM, PTFE/FPM



R	DN	L	Z	H	H1	E	B	B1	C	C1	PN	G/ST/PC	€/ST/PC	
													EPDM	FPM
3/8"	10	11.4	80.2	103	65	54	54.0	29.0	67	40	16	215	42.44	51.36
1/2"	15	15	80.0	110	65	54	54.0	29.0	67	40	16	210	48.47	53.27
3/4"	20	16.3	83.4	116	70	65	65.0	34.5	85	49	16	335	53.27	62.76
1"	25	19.1	95.8	134	78	73	69.5	39.0	85	49	16	448	65.35	82.28
1 1/4"	32	21.4	110.2	153	88	86	82.5	46.0	108	64	16	678	83.03	97.02
1 1/2"	40	21.4	113.2	156	93	98	89.0	52.0	108	64	16	955	108.82	126.51
2"	50	25.7	134.6	186	111	122	108.0	62.0	134	76	16	1667	137.07	172.17
2 1/2"	65	30.2	174.6	235	133	164	164.0	87.0	225	175	16	4395	392.43	464.05
3"	80	33.3	203.4	270	149	203	177.0	105.0	327	272	16	7260	499.97	587.32
4"	100	39.3	229.4	308	167	238	195.0	129.0	385	330	16	11100	562.24	682.78

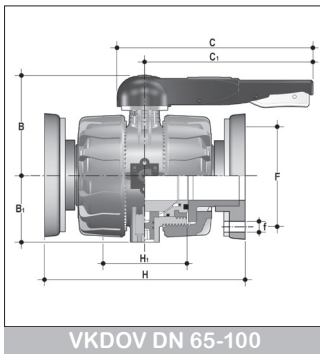


KOGELKRANEN  
VANNES A BILLE  
BALL VALVES

2-Wegkogelafsluiter, Dual Block® met DIN 8063, DIN 2501 vaste flenzen.  
Inbouwlengte volgens EN 558-1.

Robinets à bille Dual Block® avec brides fixes DIN 8063, DIN 2501.  
Encombrement selon EN 558-1.

2-Way ball valve Dual Block® with DIN 8063, DIN 2501 fixed backing rings.  
Face to face according EN 558-1.



D	DN	H	H1	B	B1	C	C1	F	f	U	PN	G/ST/PC	€/ST/PC	
													EPDM	FPM
20	15	130	65	54.0	29.0	67	40	65	14	4	16	375	74.78	84.75
25	20	150	70	65.0	34.5	85	49	75	14	4	16	590	86.58	99.48
32	25	160	78	69.5	39.0	85	49	85	14	4	16	713	101.55	116.69
40	32	180	88	82.5	46.0	108	64	100	18	4	16	1108	130.23	146.66
50	40	200	93	89.0	52.0	108	64	110	18	4	16	1485	157.60	177.27
63	50	230	111	108.0	62.0	134	76	125	18	4	16	2347	201.67	240.66
75	65	290	133	164.0	87.0	225	175	145	17	4	16	6610	458.82	530.43
90	80	310	149	177.0	105.0	327	272	160	17	8	16	9330	584.52	671.84
110	100	350	167	195.0	129.0	385	330	180	17	8	16	13815	665.39	785.93

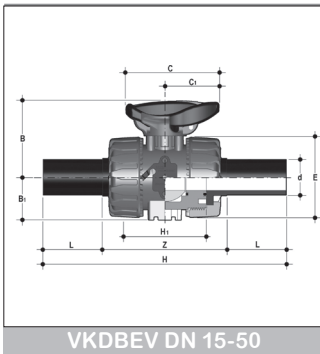
Aansluiting volgens ANSI op aanvraag.  
Raccordement selon ANSI sur demande.  
Connection acc. to ANSI on request.



kranen  
vannes  
valves

DUAL BLOCK

PVC



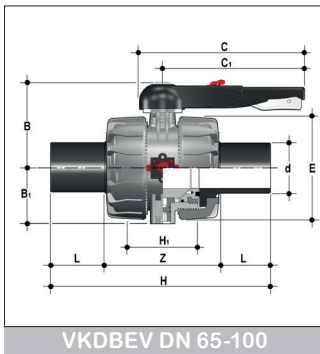
VKDBEV DN 15-50

KOGELKRANEN  
VANNES A BILLE  
BALL VALVES

2-Wegkogelafsluiter, Dual Block® met mannelijke lasuiteinden PE-HD  
Zittingen PTFE/EPDM, PTFE/FPM.

Robinets à bille Dual Block® tournant sphérique à 2 voies. Avec embouts mâles à souder en PE-HD. Sièges PTFE/EPDM, PTFE/FPM.

2-Way ball valve Dual Block® with male ends for welding sockets on PE-HD  
Seats PTFE/EPDM, PTFE/FPM.



VKDBEV DN 65-100

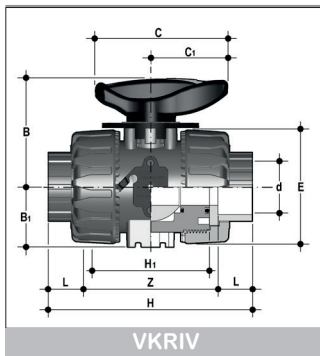
D	DN	PN	L	H	H <sub>1</sub>	E	B	B <sub>1</sub>	C	C <sub>1</sub>	G ST/PC	€/ST/PC EPDM
20	15	16	41	175	65	54	54.0	29.0	67	40	220	43.74
25	20	16	52	210	70	65	65.0	34.5	85	49	340	43.97
32	25	16	55	226	78	73	69.5	39.0	85	49	443	50.73
40	32	16	56	243	88	86	82.5	46.0	108	64	693	65.73
50	40	16	58	261	93	98	89.0	52.0	108	64	945	81.13
63	50	16	66	293	111	122	108.0	62.0	134	76	1607	106.49
75	65	16	71	356	133	162	164.0	87.0	225	175	4400	353.65
90	80	16	88	390	149	202	177.0	105.0	327	272	7100	452.92
110	100	16	92	431	167	236	195.0	129.0	385	330	10800	506.66



kranen  
vannes  
valves

DUAL BLOCK®

PVC



2 WEG KOGELKRANEN VOOR LINEAIRE DEBIETREGELING  
VANNES A BILLE A 2 VOIES POUR REGULATION LINEAIRE DU DEBIT  
2 WAY BALL VALVES FOR LINEAR FLOW CONTROL

Vrouwelijke lijmaansluiting.

Volledig uitwisselbaar met kogelkranen type VK Dual Block®.

Bereik: 0-90° / monodirectioneel. Met schaalverdeling per 5°

Op aanvraag: elektrisch met posi 4-20mA / pneumatisch met klepstandsteller 4-20mA.

Bouts femelles à coller.

Complètement interchangeable avec les robinets à bille VK Dual Block®.

Portée: 0-90° / mono directionnel. Graduation visuelle par 5°.

Sur demande: actuateur électrique avec Posi 4-20mA / actuateur pneumatique avec positionneur 4-20mA.

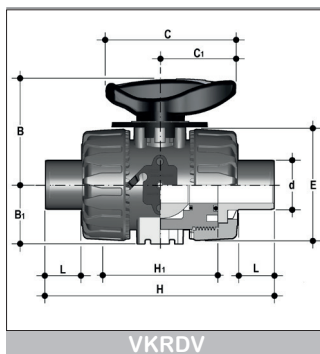
Sockets for solvent welding.

Complete interchangeability with VK Dual Block® series.

Range of use: 0-90° / unidirectional flow. Accuracy of the reading position 5°.

On request: electric actuator with Posi card 4-20mA / pneumatic actuator with positioner 4-20mA.

D	DN	PN	B	B'	C	C'	E	H'	L	Z	H	G/ST/PC	€/ST/PC	
													EPDM	FPM
16	10	16	54.0	29.0	67	40	54	65	14	75	103	215	117.42	123.54
20	15	16	54.0	29.0	67	40	54	65	16	71	103	205	118.62	124.50
25	20	16	65.0	34.5	85	49	65	70	19	77	115	330	133.23	140.77
32	25	16	69.5	39.0	85	49	73	78	22	84	128	438	159.98	169.19
40	32	16	82.5	46.0	108	64	86	88	26	94	146	693	168.95	179.00
50	40	16	89.0	52.0	108	64	98	93	31	102	164	925	221.15	233.68
63	50	16	108.0	62.0	134	76	122	111	38	123	199	1577	231.56	255.12



2 WEG KOGELKRANEN VOOR LINEAIRE DEBIETREGELING  
VANNES A BILLE A 2 VOIES POUR REGULATION LINEAIRE DU DEBIT  
2 WAY BALL VALVES FOR LINEAR FLOW CONTROL

Mannelijke lijmuiteinden.

Volledig uitwisselbaar met kogelkranen type VK Dual Block®.

Bereik: 0-90° / monodirectioneel. Met schaalverdeling per 5°

Op aanvraag: elektrisch met posi 4-20mA / pneumatisch met klepstandsteller 4-20mA.

Bouts mâles à coller.

Complètement interchangeable avec les robinets à bille VK Dual Block®.

Portée: 0-90° / mono directionnel. Graduation visuelle par 5°.

Sur demande: actuateur électrique avec Posi 4-20mA / actuateur pneumatique avec positionneur 4-20mA.

Spigots for solvent welding.

Complete interchangeability with VK Dual Block® series.

Range of use: 0-90° / unidirectional flow. Accuracy of the reading position 5°.

On request: electric actuator with Posi card 4-20mA / pneumatic actuator with positioner 4-20mA.

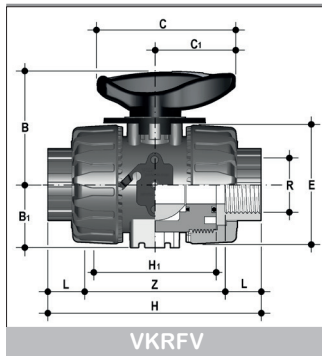
D	DN	PN	B	B'	C	C'	E	H'	H	L	G/ST/PC	€/ST/PC	
												EPDM	FPM
16	10	16	54.0	29.0	67	40	54	65	149	14	215	117.42	123.54
20	15	16	54.0	29.0	67	40	54	65	124	16	220	118.62	124.50
25	20	16	65.0	34.5	85	49	65	70	144	19	340	133.23	140.77
32	25	16	69.5	39.0	85	49	73	78	154	22	443	159.98	169.19
40	32	16	82.5	46.0	108	64	86	88	174	26	693	168.95	179.00
50	40	16	89.0	52.0	108	64	98	93	194	31	945	221.15	233.68
63	50	16	108.0	62.0	134	76	122	111	224	38	1607	231.56	255.12



kranen  
vannes  
valves

DUAL BLOCK®

PVC



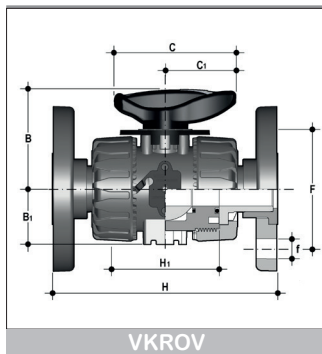
2 WEG KOGELKRANEN VOOR LINEAIRE DEBIETREGELING  
VANNES A BILLE A 2 VOIES POUR REGULATION LINEAIRE DU DEBIT  
2 WAY BALL VALVES FOR LINEAR FLOW CONTROL

Inwendige draadaansluiting BS.  
Volledig uitwisselbaar met kogelkransen type VK Dual Block.  
Bereik: 0-90° / monodirectioneel. Met schaalverdeling per 5°  
Op aanvraag: elektrisch met posi 4-20mA / pneumatisch met klepstandsteller 4-20mA.

Bouts femelles filletés BS.  
Complètement interchangeable avec les robinets à bille VK Dual Block.  
Portée: 0-90° / mono directionnel. Graduation visuelle par 5°.  
Sur demande: actuateur électrique avec Posi 4-20mA / actuateur pneumatique avec positionneur 4-20mA.

BS parallel treaded sockets.  
Complete interchangeability with VK Dual Block series.  
Range of use: 0-90° / unidirectional flow. Accuracy of the reading position 5°.  
On request: electric actuator with Posi card 4-20mA / pneumatic actuator with positioner 4-20mA.

R	DN	PN	B	B'	C	C'	E	H	H'	L	Z	G/ST/PC	€/ST/PC	
													EPDM	FPM
3/8"	10	16	54.0	29.0	67	40	54	103	65	12	80	215	119.70	126.21
1/2"	15	16	54.0	29.0	67	40	54	110	65	15	80	210	121.19	127.59
3/4"	20	16	65.0	34.5	85	49	65	116	70	16	83	335	136.73	142.95
1"	25	16	69.5	39.0	85	49	73	134	78	19	96	448	163.61	176.00
1 1/4"	32	16	82.5	46.0	108	64	86	153	88	21	110	678	174.70	184.96
1 1/2"	40	16	89.0	52.0	108	64	98	156	93	21	113	955	231.08	244.05
2"	50	16	108.0	62.0	134	76	122	186	111	26	135	1667	243.58	268.02



2 WEG KOGELKRANEN VOOR LINEAIRE DEBIETREGELING  
VANNES A BILLE A 2 VOIES POUR REGULATION LINEAIRE DU DEBIT  
2 WAY BALL VALVES FOR LINEAR FLOW CONTROL

Volledig uitwisselbaar met kogelkransen type VK Dual Block® met DIN 8063, DIN 2501 vaste flenzen. Inbouwlengthe volgens EN 558-1.  
Bereik: 0-90° / monodirectioneel. Met schaalverdeling per 5°  
Op aanvraag: elektrisch met posi 4-20mA / pneumatisch met klepstandsteller 4-20mA.

Complètement interchangeable avec les robinets à bille VK Dual Block® avec brides fixes DIN 8063, DIN 2501. Encombrement selon EN 558-1.  
Portée: 0-90° / mono directionnel. Graduation visuelle par 5°.  
Sur demande: actuateur électrique avec Posi 4-20mA / actuateur pneumatique avec positionneur 4-20mA.

Complete interchangeability with VK Dual Block® with DIN 8063, DIN 2501 fixed backing rings.  
Face to face according EN 558-1.  
Range of use: 0-90° / unidirectional flow. Accuracy of the reading position 5°.  
On request: electric actuator with Posi card 4-20mA / pneumatic actuator with positioner 4-20mA.

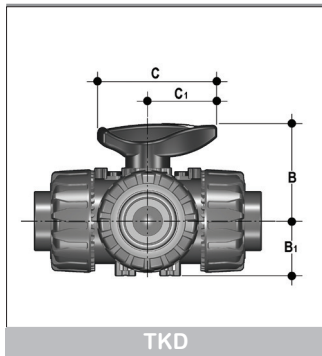
D	DN	PN	B	B'	C	C'	F	H	H'	U	f	Sp	G/ST/PC	€/ST/PC	
														EPDM	FPM
20	15	16	54.0	29.0	67	40	65	130	65	4	14	11	375	143.37	150.69
25	20	16	65.0	34.5	85	49	75	150	70	4	14	14	590	161.17	170.60
32	25	16	69.5	39.0	85	49	85	160	78	4	14	14	713	190.10	201.17
40	32	16	82.5	46.0	108	64	100	180	88	4	18	14	1108	209.30	221.31
50	40	16	89.0	52.0	108	64	110	200	93	4	18	16	1485	265.55	279.97
63	50	16	108.0	62.0	134	76	125	230	111	4	18	16	2347	289.64	318.19



kranen  
vannes  
valves

DUAL BLOCK®

PVC



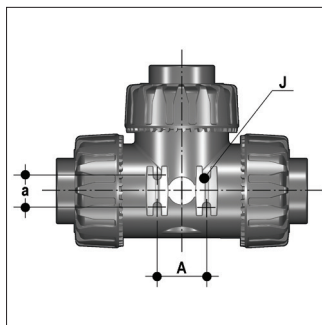
TKD

3 WEG KOGELKRANEN  
VANNES A BILLE A 3 VOIES  
3 WAY BALL VALVES

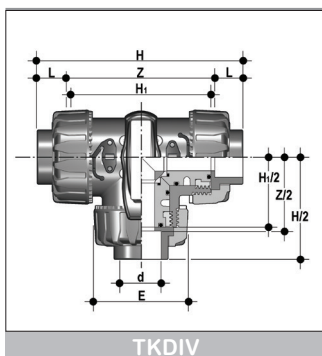
Radiaal demonteerbaar PN 16.  
Demontage in stroomafwaartse richting mogelijk met de afsluiter in de gesloten stand.

Démontable radialement PN 16.  
Démontage du raccord possible en direction aval, avec la vanne en position fermée.

Radial disassembling PN 16.  
Option of dismounting downstream pipes with the valve in closed position.



D	DN	B	B <sub>1</sub>	C	C <sub>1</sub>	a	A	J
16	10	54.0	29.0	67	40	20	31	M5
20	15	54.0	29.0	67	40	20	31	M5
25	20	65.0	34.5	85	49	20	31	M5
32	25	69.5	39.0	85	49	20	31	M5
40	32	82.5	46.0	108	64	30	50	M6
50	40	89.0	52.0	108	64	30	50	M6
63	50	108.0	62.0	134	76	30	50	M6



TKDIV

3 WEG KOGELKRANEN  
VANNES A BILLE A 3 VOIES  
3 WAY BALL VALVES

Vrouwelijke lijmaansluiting, T-boring  
Bouts femelles à coller, perçage-T  
Sockets for solvent welding, T-bore

D	DN	E	H	H <sub>1</sub>	L	Z	G/ST/PC	€/ST/PC	
								EPDM	FPM
16	10	54	118.0	80	14	90.0	310	62.21	70.37
20	15	54	118.0	80	16	86.0	310	63.57	75.33
25	20	65	145.0	100	19	107.0	550	73.53	84.61
32	25	73	160.0	110	22	116.0	790	91.18	104.89
40	32	86	188.5	131	26	136.5	1275	110.07	129.79
50	40	98	219.0	148	31	157.0	1660	132.92	166.15
63	50	122	266.5	179	38	190.5	2800	167.71	209.63

L-boring: prijzen + 10%

Perçage L: prix + 10%

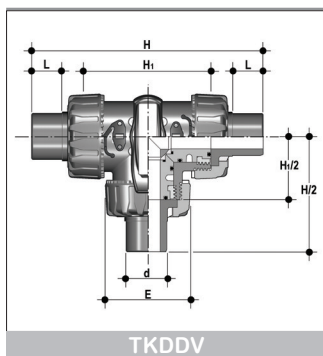
L-bore: prices + 10%



kranen  
vannes  
valves

DUAL BLOCK®

PVC



3 WEG KOGELKRANEN  
VANNES A BILLE A 3 VOIES  
3 WAY BALL VALVES

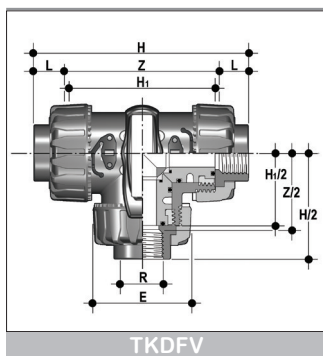
Mannelijke lijmaansluiting, T-boring  
Bouts mâles à coller, perçage-T  
Sockets for solvent welding, T-bore

d	DN	E	H	H1	L	G/ST/PC	€/ST/PC	
							EPDM	FPM
20	15	54	140	80	16	320	63.57	75.33
25	20	65	175	100	19	565	73.53	84.61
32	25	73	188	110	22	810	91.18	104.89
40	32	86	220	131	26	1305	110.07	129.79
50	40	98	251	148	31	1700	132.92	166.15
63	50	122	294	179	38	2850	167.71	209.63

L-boring: prijzen + 10%

Perçage L: prix + 10%

L-bore: prices + 10%



3 WEG KOGELKRANEN  
VANNES A BILLE A 3 VOIES  
3 WAY BALL VALVES

Inwendige draadaansluiting, BS, T-boring  
Bouts femelles filetés, BS, perçage-T  
BS parallel threaded sockets, BS, T-bore

R	DN	E	H	H1	L	Z	G/ST/PC	€/ST/PC	
								EPDM	FPM
3/8"	10	54	118.0	80	11.4	95	310	68.50	76.58
1/2"	15	54	125.0	80	15.0	95	310	69.90	78.15
3/4"	20	65	146.0	100	16.3	114	550	80.94	91.92
1"	25	73	166.0	110	19.1	129	790	100.41	113.96
1 1/4"	32	86	195.5	131	21.4	151	1275	121.01	140.81
1 1/2"	40	98	211.0	148	21.4	166	1660	146.21	179.47
2"	50	122	253.5	179	25.7	199	2800	184.45	226.39

L-boring: prijzen + 10%

Perçage L: prix + 10%

L-bore: prices + 10%



VLINDERKLEPPEN -	HANDBEDIEND	FKOV
VANNES PAPILLON -	AVEC POIGNEE	FKOV
BUTTERFLY VALVES -	HAND OPERATED	FKOV

**Afmetingen / dimensions / overall dimensions:**

ISO 5752 (DN 40-200 medium seri 25, DN 250-3000 long serie 16)  
DIN 3202 (DN 65-200 K2, DN 250-300 K3)

**Materialen / matériaux / materials:**

Lichaam / corps / body: PP-GR  
Klepblad / papillon / disc: PVC-U  
Axe / axe / stem: RVS AISI 420 (AISI 316 op aanvraag / sur demande / on request)  
Zitting / siège / liner: EPDM, FPM (NBR op aanvraag / sur demande / on request)

**Wafer type:**

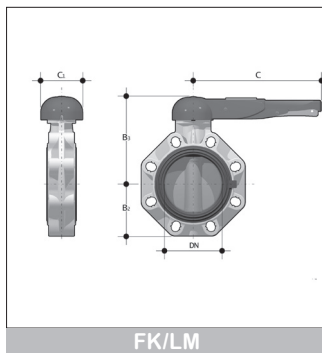
Tussen flenzen / entre brides / between flanges:  
EN ISO 1452, EN ISO 15493, DIN 2501, ISO 7005-1, EN 1092-1, ASTM B16.5 Cl. 150

**Opmerking / remarque / remark:**

Alvorens vlinderkleppen te monteren, is het aan te raden eerst de binnendiameter van de kragen te controleren. Bij bepaalde diameters kan een aanpassing van de kragen noodzakelijk zijn.

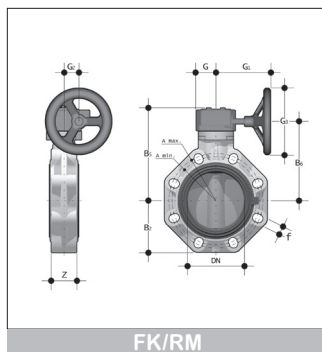
Avant d'effectuer l'installation de vannes papillons, il est conseillé de vérifier le diamètre intérieur des collets. En certains cas, il est nécessaire de chamfreiner.

Before installing butterfly valves, it is advisable to check the internal diameter of the stubs. For certain dimensions, it is necessary to chamfer the stubs.



FK/LM

d	DN	PN	B <sup>2</sup>	B <sup>3</sup>	C	C <sup>1</sup>	Z	G/ ST/PC	U	€/ST/PC	
										EPDM	FPM
50	40	16	60	137	175	100	33	900	4	194.19	289.86
63	50	16	70	143	175	100	43	1080	4	205.63	306.91
75	65	10	80	164	272	110	46	1470	4	228.49	337.83
90	80	10	93	178	272	110	49	1870	8	239.83	354.02
110	100	10	107	192	272	110	56	2220	8	260.88	383.18
140	125	10	120	212	330	110	64	3100	8	346.74	512.82
160	150	10	134	225	330	110	70	3850	8	374.28	536.32
225	200	10	161	272	420	122	71	6750	8	484.45	695.91



FK/RM

d	DN	PN	B <sup>2</sup>	B <sup>3</sup>	B <sup>6</sup>	G	G <sup>1</sup>	G <sup>2</sup>	G <sup>3</sup>	Z	G/ ST/PC	U	€/ST/PC	
													EPDM	FPM
75	65	10	80	174	146	48	135	39	125	46	2400	4	554.13	663.47
90	80	10	93	188	160	48	135	39	125	49	2800	8	566.25	680.46
110	100	10	107	202	174	48	135	39	125	56	3150	8	586.50	708.88
140	125	10	120	222	194	48	144	39	200	64	4450	8	672.41	838.48
160	150	10	134	235	207	48	144	39	200	70	5200	8	699.96	861.97
225	200	10	161	287	256	65	204	60	200	71	9300	8	883.83	1095.33
280	250	10	210	317	281	88	236	76	250	114	18600	12	1621.27	2557.92
315	300	8	245	374	338	88	236	76	250	114	25600	12	1746.82	2775.77
355	350	7	280	438	390	88	361	80	300	129	34450	16	3284.10	5506.32
400	400	6	306	438	390	88	361	80	300	169	42450	16	3652.61	6862.76

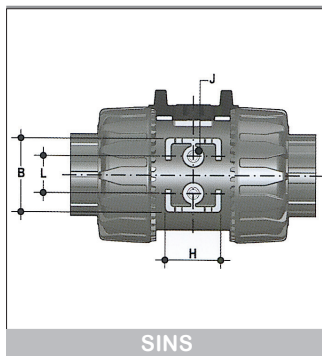
**TYPE LUG:**

met draadogen (DIN 5202, ANSI B16.5 cl. 150) op aanvraag  
avec oreilles taraudées (DIN 5202, ANSI B16.5 cl. 150) sur demande  
with threaded holes (DIN 5202, ANSI B16.5 cl. 150) on request



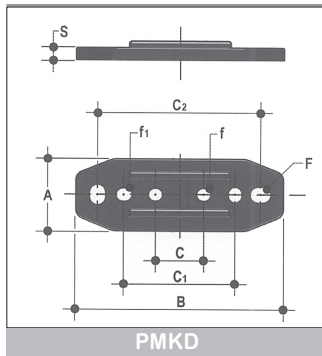
toeberehen voor kranen VKD - TKD - VKR  
 accessoires pour vannes VKD - TKD - VKR  
 accessories for valves VKD - TKD - VKR

**PVC**



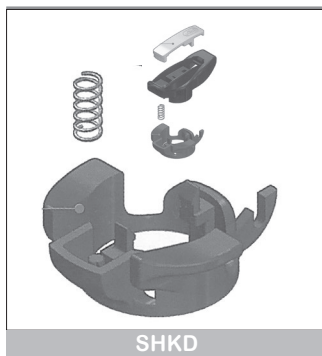
DRAADBUSSEN  
 BUSELURES  
 THREADED INSERTS

D	DN	B	H	L	J	€/ST/PC = 20 ST/PC	
						Messing Laiton Brass	RVS 316 Inox 316 SS 316
16	10	31.5	27	20	M4 x 6	15.82	87.20
20	15	31.5	27	20	M4 x 6	15.82	87.20
25	20	40.0	30	20	M4 x 6	15.82	87.20
32	25	40.0	30	20	M4 x 6	15.82	87.20
40	32	50.0	35	30	M6 x 10	19.02	96.45
50	40	50.0	35	30	M6 x 10	19.02	96.45
63	50	60.0	40	30	M6 x 10	19.02	96.45



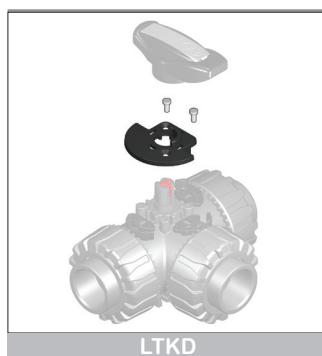
MONTAGEPLAAT  
 PLATINE  
 MOUNTING PLATE

D	DN	A	B	C	C1	C2	F	f	f1	S	€/ST/PC
16	10	30	86	20	46	67.5	6.5	5.3	5.5	5	8.96
20	15	30	86	20	46	67.5	6.5	5.3	5.5	5	8.96
25	20	30	86	20	46	67.5	6.5	5.3	5.5	5	8.96
32	25	30	86	20	46	67.5	6.5	5.3	5.5	5	8.96
40	32	40	122	30	72	102.0	6.5	6.3	6.5	6	9.76
50	40	40	122	30	72	102.0	6.5	6.3	6.5	6	9.76
63	50	40	122	30	72	102.0	6.5	6.3	6.5	6	9.76



KIT HANDVAT VERGRENDING 0-90°  
 KIT DE VERROUILLAGE 0-90°  
 HANDLE BLOCK KIT 0-90°

D	€/ST/PC
16 - 20	17.07
25 - 32	19.06
40 - 50	22.04
63	23.65



HENDEL STOP 90°/180° KOERSBEPERKER 3 WEG KOGELKRAAN  
 BUTÉE DE POIGNÉE 90°/180° LIMITEUR DE COURSE VANNE A BOULE 3 VOIES  
 HANDLE STOP 90°/180° STROKE LIMITER 3 WAY BALL VALVE

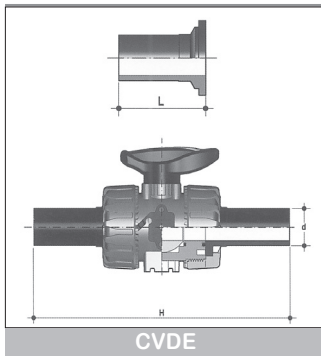
Voor / pour / for : TKD

D	€/ST/PC	
	LTKD 90°	LTKD 180°
16-20	17.07	17.07
25-32	20.83	20.83
40-50	24.93	24.93
63	31.26	31.26



toebereiden voor kranen VKD - TKD - VKR  
 accessoires pour vannes VKD - TKD - VKR  
 accessories for valves VKD - TKD - VKR

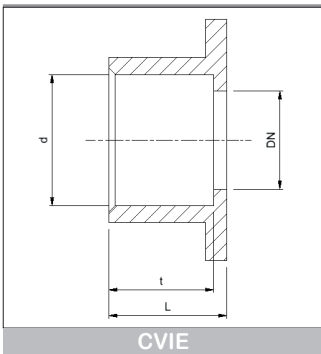
PVC



HDPE 100 CONNECTOR VOOR STOMPLAS & ELECTROLAS  
 CONNECT. HDPE 100 SOUDAGE BOUT A BOUT OU ELECTROSOUDAGE  
 HDPE 100 END CONNECTOR FOR BUTT WELDING OR ELECTROFUSION

Voor / pour / for : VKD / TKD / SXE / RV / VV / VR / VKR / SSE / VEE

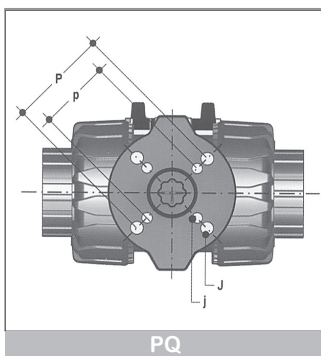
d	DN	L	H	€/ST/PC
20	15	55	175	3.40
25	20	70	210	3.47
32	25	74	226	3.49
40	32	78	243	5.45
50	40	84	261	6.47
63	50	91	293	9.20
75	65	110	356	25.82
90	80	118	390	33.57
110	100	130	431	39.00



HDPE 100 CONNECTOR VOOR MOFLAS  
 CONNECT. HDPE 100 POUR SOUDAGE A L'EMBOITURE  
 HDPE 100 END CONNECTOR FOR SOCKET WELDING

Voor / pour / for : VKD / TKD / SXE / RV / VV / VR / VKR / SSE / VEE

d	DN	L	t	€/ST/PC
20	15	18	16.0	9.41
25	20	22	17.0	10.05
32	25	25	19.5	10.58
40	32	28	22.0	11.21
50	40	34	25.0	12.65
63	50	43	29.0	21.57

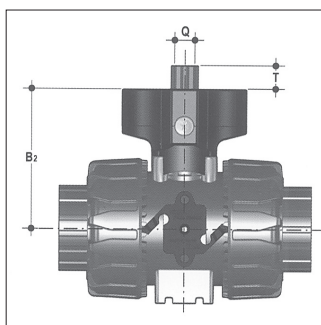


POWERQUICK

Opbouwmodule in PP-GVK geschikt voor VKD + TKD + VKR  
 Kit d'accouplement en PP-FRP pour VKD + TKD + VKR  
 Module for assembly in PP-FRP for VKD + TKD + VKR

d	DN	B2	T	p x j	P x J
16	10	58.0	16	F03 x 5.5	F04 x 5.5
20	15	58.0	16	F03 x 5.5	F04 x 5.5
25	20	73.5	16	F03 x 5.5	F05 x 6.5
32	25	74.0	16	F03 x 5.5	F05 x 6.5
40	32	97.0	16	F05 x 6.5	F07 x 8.5
50	40	104.0	16	F05 x 6.5	F07 x 8.5
63	50	114.0	16	F05 x 6.5	F07 x 8.5

\* F04 x 5.5 op aanvraag / sur demande / on request



d	Actuators CP (FIP)		Actuators CE (FIP)		Kit €/ST/PC
	ISO	SQUARE	ISO	SQUARE	
16 - 20	F03-04*	11	F03	14	66.18
25	F03-05*	11	F03	14	70.19
25	F04	11	F04	14	70.19
32	F03-05*	11	F03	14	70.19
32	F04	14	F04	14	70.19
40	F05-07*	14	F05	14	80.20
50	F05-07*	14	F05	14	80.20
63	F05-07*	14	F05	14	85.22



toeberehen voor kranen VKD - TKD - VKR  
accessoires pour vannes VKD - TKD - VKR  
accessories for valves VKD - TKD - VKR

PVC

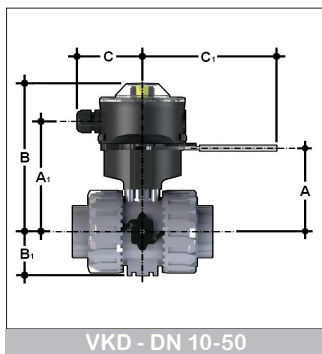


LSQT

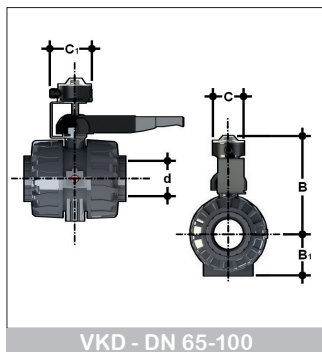
MICROSWITCHBOX MET TERUGMELDINGEN  
BOITIER FIN DE COURSE  
LIMIT SWITCH BOX

Geschikt voor montage op VKD + TKD kogelkranen in combinatie met LSQTKIT montageset.  
Pour vannes à boule VKD + TKD montage par l'aide du kit de montage LSQTKIT.  
For VKD+TKD ballvalves, to be installed with LSQTKIT mounting kit.

D	DN	A	A1	B	B1	C	C1
16	10	60	91.5	137.0	29.0	76.5	157.5
20	15	60	91.5	137.0	29.0	76.5	157.5
25	20	71	102.5	148.0	34.5	76.5	157.5
32	25	76	107.5	153.0	39.0	76.5	157.5
40	32	93	124.5	170.0	46.0	76.5	157.5
50	40	99	130.5	176.0	52.0	76.5	157.5
63	50	116	147.5	193.0	62.0	76.5	157.5
75	65	-	-	275.0	87.0	103.0	126.9
90	80	-	-	286.7	105.0	103.0	126.9
110	100	-	-	305.5	129.0	103.0	126.9



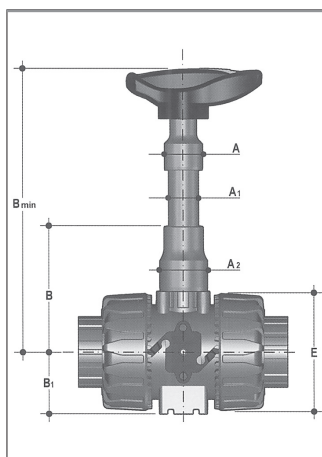
VKD - DN 10-50



VKD - DN 65-100

d	€/ST/PC Montageset Kit de montage Mounting kit	€/ST/PC Electromechanisch Electromécanique Electro mechanical	€/ST/PC Inductief 3 draads PNP Inductif 3 fils PNP Inductive 3 wire PNP
16 - 20	LSQKIT020 86.59	LSQTMEC 301.15	LSQTPNP 513.32
25	LSQKIT025 91.81	LSQTMEC 301.15	LSQTPNP 513.32
32	LSQKIT032 91.81	LSQTMEC 301.15	LSQTPNP 513.32
40	LSQKIT040 104.97	LSQTMEC 301.15	LSQTPNP 513.32
50	LSQKIT050 104.97	LSQTMEC 301.15	LSQTPNP 513.32
63	LSQKIT063 111.53	LSQTMEC 301.15	LSQTPNP 513.32
75-90-110	LSKIT75160 207.09	LSQTMEC 301.15	LSQTPNP 513.32

Afsluiter niet incl., vanne non incl., valve not incl.



VERLENGDE SPINDEL  
EXTENSION DE COMMANDE  
STEM EXTENSION

D	DN	A	A1	A2	E	B	B1	B min	€/ST/PC*
16	10	32	25	32	54	70.0	29.0	139.5	35.67
20	15	32	25	32	54	70.0	29.0	139.5	35.67
25	20	32	25	40	65	89.0	34.5	164.5	36.43
32	25	32	25	40	73	93.5	39.0	169.0	37.39
40	32	40	32	50	86	110.0	46.0	200.0	37.77
50	40	40	32	50	98	116.0	52.0	206.0	39.32
63	50	40	32	59	122	122.0	62.0	225.0	43.39

D75-90-110 op aanvraag / sur demande / on request

\* PVC buis niet inbegrepen, tuyau en PVC pas inclus, PVC pipe not included .



toebehoren voor kranen FK  
accessoires pour vannes FK  
accessories for valves FK

PVC

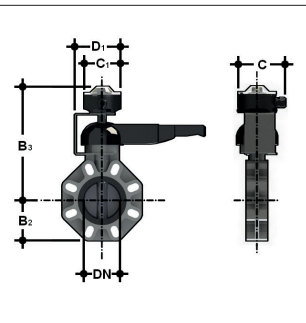


LSQT

MICROSWITCHBOX MET TERUGMELDINGEN  
BOITIER FIN DE COURSE  
LIMIT SWITCH BOX

Geschikt voor montage op FK vlinderkleppen in combinatie met LSQTKIT montageset.  
Pour vannes papillon FK montage par l'aide du kit de montage LSQTKIT.  
For FK butterfly valves, to be installed with LSQTKIT mounting kit.

D	B2	B3	C	C1	D1
40	60	260.5	126.9	103	123.5
50	70	266.5	126.9	103	123.5
65	80	273.5	126.9	103	123.5
80	93	287.5	126.9	103	123.5
100	107	301.5	126.9	103	123.5
125	120	321.5	126.9	103	123.5
150	134	334.5	126.9	103	123.5
200	161	385.0	126.9	103	129.8



FK - DN 40-200

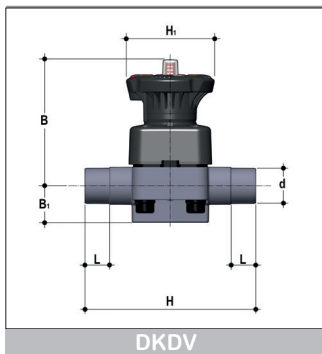
d	€/ST/PC Montageset Kit de montage Mounting kit	€/ST/PC Electromechanisch Electromécanique Electro mechanical	€/ST/PC Inductief 3 draads PNP Inductif 3 fils PNP Inductive 3 wire PNP
50-63	LSKITFK5063 153.80	LSQTMEC 301.15	LSQTPNP 513.32
75-160	LSKITF75160 207.09	LSQTMEC 301.15	LSQTPNP 513.32
225	LSKIT225 221.05	LSQTMEC 301.15	LSQTPNP 513.32

\*Afsluiter niet incl., vanne non incl., valve not incl.



Adaptor voor opbouw aandrijving (elektrisch / pneumatisch) ISO 5211  
Adapteur pour montage actuateur (electrique / pneumatique) ISO 5211  
Adaptor for mounting of actuator (electrical / pneumatic) ISO 5211

d 50 160 : 24.94 €/ST/PC  
d 225 : 30.36 €/ST/PC



DKDV

MEMBRAANKRANEN  
VANNES A MEMBRANE  
DIAPHRAGM VALVES

## PN 10

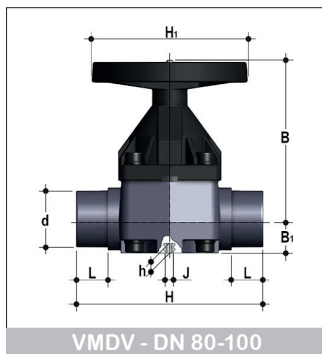
Lijmaansluiting volgens ISO 727, UNI 7442/75, DIN 8063, NFT 54-028, KIWA 54.  
Membraan : EPDM, FPM en PTFE. (Buna op aanvraag)

A collar selon ISO 727, UNI 7442/75, DIN 8063, NFT 54-028, KIWA 54.

Membrane : EPDM, FPM et PTFE. (Buna sur demande)

Solvent welding according to ISO 727, UNI 7442/75, DIN 8063, NFT 54-028, KIWA 54.

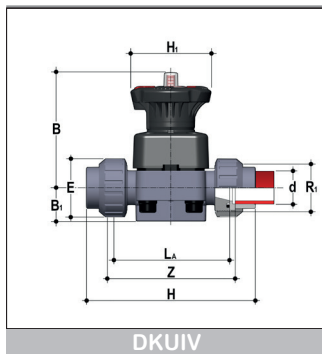
Diaphragm : EPDM, FPM and PTFE. (Buna on request)



VMDV - DN 80-100

D	DN	L	H	H1	B	B1	G/ST/PC	€/ST/PC		
								EPDM	FPM	PTFE
20	15	16	124	80	102	25	460	52.99	98.97	109.95
25	20	19	144	80	105	30	482	59.00	98.97	114.89
32	25	22	154	80	114	33	682	71.99	112.94	129.97
40	32	26	174	80	119	30	726	84.97	154.90	172.90
50	40	31	194	120	147	35	1525	116.96	185.84	203.90
63	50	38	224	120	172	46	2389	142.83	258.78	255.82
75	65	44	284	120	172	46	2519	337.74	664.47	490.63
*90	80	51	300	215	225	55	7000	409.71	732.41	562.52
*110	100	61	340	250	295	69	10500	568.53	1116.11	757.42

\* PTFE: PN6, Type VMDV



DKUIV

MEMBRAANKRANEN  
VANNES A MEMBRANE  
DIAPHRAGM VALVES

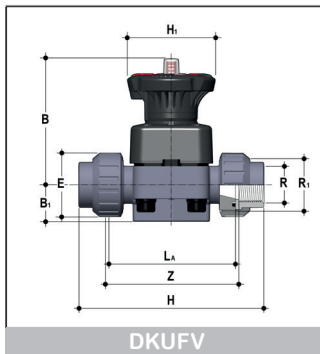
## PN 10

Aansluiting met driedelige koppelingen, inwendige verlijming.  
Membraan in EPDM, FPM en PTFE. (Buna op aanvraag)

Raccordement à raccords-union 3 pièces, bouts femelles à coller.  
Membrane en EPDM, FPM et TFE. (Buna sur demande)

Connection with socket unions, socket for solvent welding.  
Diaphragm in EPDM, FPM and PTFE. (Buna on request)

D	DN	B	B1	E	H	H1	LA	R1	Z	G/ST/PC	€/ST/PC		
											EPDM	FPM	PTFE
20	15	102	25	41	129	80	90	1"	100	500	63.99	106.92	127.88
25	20	105	30	50	154	80	108	1 1/4"	116	562	70.00	117.97	137.96
32	25	114	33	58	168	80	116	1 1/2"	124	790	86.96	135.99	154.91
40	32	119	30	72	192	80	134	2"	140	916	103.96	181.86	203.89
50	40	147	35	79	222	120	154	2 1/4"	160	1737	141.86	224.88	246.82
63	50	172	46	98	266	120	184	2 3/4"	190	2785	174.85	306.75	302.74



DKUFV

MEMBRAANKRANEN  
VANNES A MEMBRANE  
DIAPHRAGM VALVES

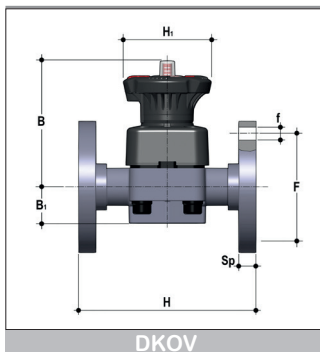
PN 10

Aansluiting met driedelige koppelingen, draadaansluiting.  
Membrana in EPDM, FPM en PTFE. (Buna op aanvraag)

Raccordement à raccords-union 3 pièces, raccordement femelle taraudé.  
Membrane en EPDM, FPM et PTFE. (Buna sur demande)

Connection with socket unions, threaded connection.  
Diaphragm in EPDM, FPM and PTFE. (Buna on request)

R	DN	B	B1	E	H	H1	La	Z	R1	G/ST/PC	€/ST/PC		
											EPDM	FPM	PTFE
1/2"	15	102	25	41	131	80	90	97	1"	500	70.00	112.97	133.94
3/4"	20	105	30	50	151	80	108	118	1 1/4"	562	75.91	124.95	143.95
1"	25	114	33	58	165	80	116	127	1 1/2"	790	92.95	140.91	160.88
1 1/4"	32	119	30	72	188	80	134	145	2"	916	122.89	200.90	221.84
1 1/2"	40	147	35	79	208	120	154	165	2 1/4"	1737	163.97	245.88	268.86
2"	50	172	46	98	246	120	184	195	2 3/4"	2785	195.85	327.80	322.78



DKOV

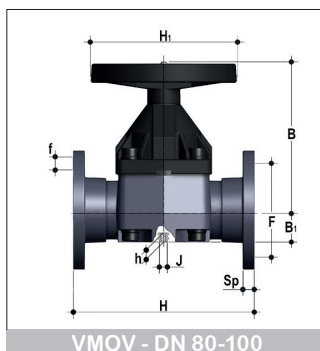
MEMBRAANKRANEN MET FLENSAANSLUITING  
VANNES A MEMBRANE AVEC RACCORDEMENT A BRIDE  
DIAPHRAGM VALVES WITH FLANGES

PN 10

Flensaansluiting, vaste flenzen volgens DIN 2501  
Membrana in EPDM, FPM en PTFE. (Buna op aanvraag)

Raccordement à brides fixes, selon DIN 2501  
Membrane en EPDM, FPM et PTFE. (Buna sur demande)

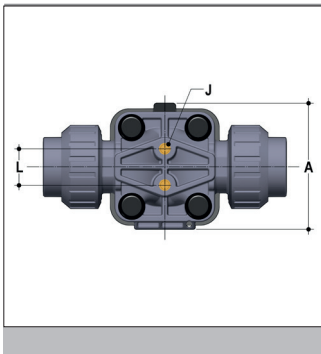
Flanged connection with fixed backing rings DIN 2501  
Diaphragm in EPDM, FPM and PTFE. (Buna on request)



VMOV - DN 80-100

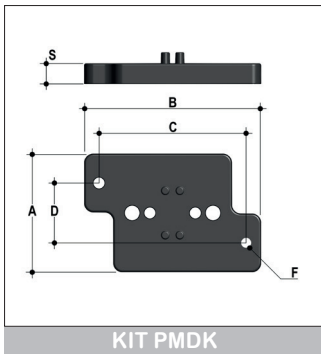
\* PTFE: PN6, Type VMOV

D	DN	B	B1	f	F	H	H1	Sp	U	G/ST/PC	€/ST/PC		
											EPDM	FPM	PTFE
20	15	102	25	14	65	130	80	13.5	4	690	91.16	124.02	153.84
25	20	105	30	14	75	150	80	13.5	4	682	96.98	132.10	176.43
32	25	114	33	14	85	160	80	14.0	4	972	112.64	170.86	179.58
40	32	119	30	18	100	180	80	14.0	4	1186	157.67	211.10	248.51
50	40	147	35	18	110	200	120	16.0	4	2100	169.91	227.79	270.59
63	50	172	46	18	125	230	120	16.0	4	3159	205.89	338.29	336.37
75	65	225	55	18	145	290	120	21.0	4	3619	443.87	768.19	615.50
*90	80	225	55	18	160	310	215	-	-	8500	531.92	849.14	667.01
*110	100	295	69	18	180	350	250	-	-	12400	727.93	1,272.09	946.13



MONTAGEPLAAT  
PLATINE  
MOUNTING PLATE

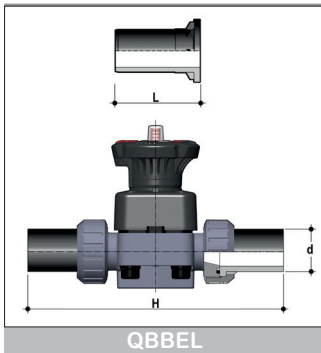
D	DN	A	L	J
20	15	74	25.0	M6 x 10
25	20	74	25.0	M6 x 10
32	25	87	25.0	M6 x 10
40	32	87	25.0	M6 x 10
50	40	114	44.5	M8 x 14
63	50	136	44.5	M8 x 14
75	65	136	44.5	M8 x 14



KIT PMDK

D	DN	A	B	C	D	F	S	€/ST/PC
20	15	65	97	81	33	5.5	11	17.53
25	20	65	97	81	33	5.5	11	17.53
32	25	65	97	81	33	5.5	11	17.53
40	32	65	97	81	33	5.5	11	17.53
50	40	65	144	130	33	6.5	11	19.74
63	50	65	144	130	33	6.5	11	19.74
75	65	65	144	130	33	6.5	11	19.74

Inclusief 2 RVS schroeven  
Inclusif 2 ecroux en inox  
2 stainless steel screws included



HDPE 100 CONNECTOR VOOR STOMPLAS & ELECTROLAS  
CONNECT. HDPE 100 SOUDAGE BOUT A BOUT OU ELECTROSOUDAGE  
HDPE 100 END CONNECTOR FOR BUTT WELDING OR ELECTROFUSION

SDR11

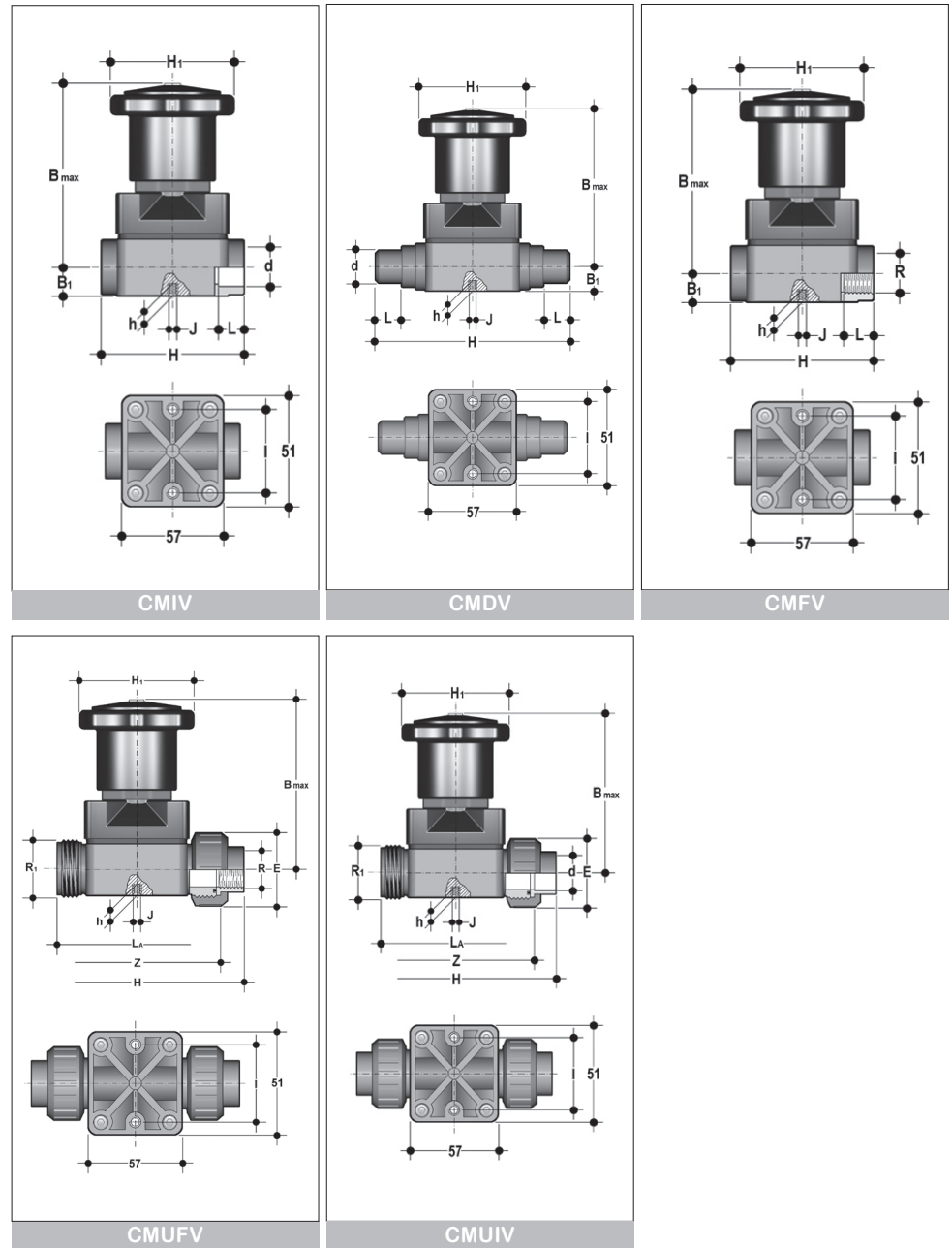
d	DN	L	H	€/ST/PC
20	15	95	280	6.22
25	20	95	298	7.28
32	25	95	306	9.24
40	32	95	324	11.82
50	40	95	344	12.21
63	50	95	374	17.79



COMPACTE MEMBRAANAFSLUITERS  
VANNES A MEMBRANE COMPACTES  
COMPACT DIAPHRAGM VALVES

PN 6

Volgens normen / Selon normes / According to normes : ISO-BS-ASTM.



CODE	D/R	DN	B	B1	H1	H	h	I	J	L	LA	Z	R1	E	G/ ST/PC	€/ST/PC		
																EPDM	FPM	CR+PTFE
CMIV	16	12	86	15	58.5	75	8	35	M5	14.0					270	45.84	64.03	72.54
	20	15	86	15	58.5	75	8	35	M5	16.0					270	58.68	72.54	77.90
CMDV	20	15	86	15	58.5	124	8	35	M5	17.0					310	55.51	78.94	83.25
	CMFV	3/8"	12	86	15	58.5	75	8	35	M5	11.5				270	45.84	64.03	72.54
1/2"		15	86	15	58.5	75	8	35	M5	15.0				270	58.68	72.54	77.90	
CMUIV	20	15	86		58.5	130	8	35	M5		90	97.5	1"	41	285	64.03	82.20	85.35
CMUFV	1/2"	15	86		58.5	130	8	35	M5		90	97.5	1"	41	285	*	*	*

\* op aanvraag / sur demande / on request



kranen  
vannes  
valves

PVC

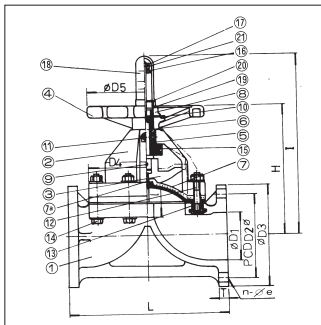


MEMBRAANKRANEN - GROTE DIAMETERS  
VANNES A MEMBRANE - GRAND DIAMETRES  
DIAPHRAGM VALVES - BIG DIAMETERS

Aansluiting met flenzen.  
Membraan : EPDM, PTFE.

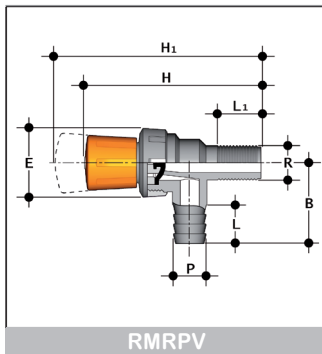
Raccordement à brides.  
Membrane : EPDM, PTFE.

Flange connection.  
Diaphragm : EPDM, PTFE.



D	DN	PN		L	D	D <sub>2</sub>	D <sub>3</sub>	H	I	T	e	n	KG/ ST/PC
		EPDM	PTFE										
125/140	125	8	7	400	125	210	250	308	420	23	18	8	18.8
160/180	150	8	5	480	148	240	285	334	476	27	23	8	29.9
200/225	200	3	2	600	196	295	340	419	627	34	23	8	45.0
250/280	250	3	2	730	247	350	385	510	778	36	23	12	82.1

Prijs op aanvraag  
Prix sur demande  
Price on request



RMRPV

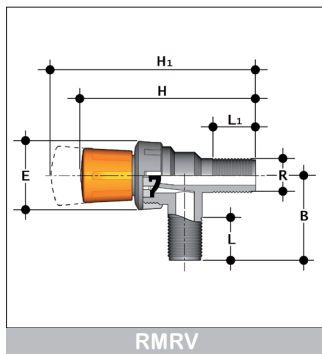
MEMBRAANAFSLUITERS 1/2" - 20 MM  
ROBINETS À MEMBRANE 1/2" - 20 MM  
DIAPHRAGM COCKS 1/2" - 20 MM

Type RMRPV met beide zijden cilindrische buitendraad.  
Type RMRPV met één zijde cilindrische buitendraad, andere zijde slangaansluiting.  
Membraan : EPDM.

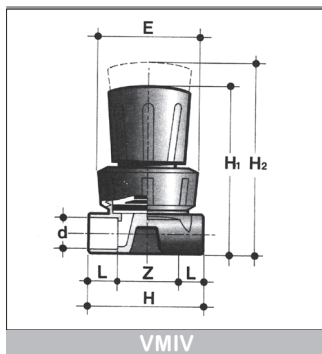
Type RMRV avec deux bouts mâles filetés.  
Type RMRPV avec un bout mâle fileté; l'autre bout cannelé.  
Membrane EPDM.

RMRV type : both ends exteriorly parallel threaded.  
RMRPV type : one end exteriorly parallel threaded, the other end with hose adaptor.  
Diaphragm : EPDM.

	R	P	DN	H	H1	L1	L	E	B	PN	€/ST/PC
<b>RMRPV</b>	1/2"	20	15	110	119	28	16	43	50	4	<b>25.65</b>
<b>RMRV</b>	1/2"	-	15	110	119	29	24	43	50	4	<b>25.65</b>



RMRV



VMIV

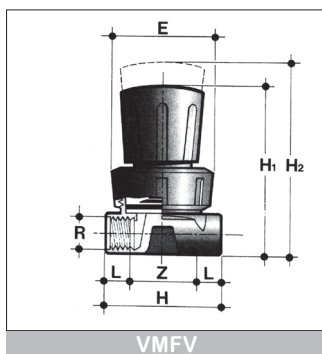
MEMBRAANAFSLUITERS 1/4" - 12 MM  
ROBINETS À MEMBRANE 1/4" - 12 MM  
DIAPHRAGM COCKS 1/4" - 12 MM

Type VMFV met beide zijden cilindrische binnendraad.  
Type VMIV met beide zijden lijmof.  
Membraan : EPDM.

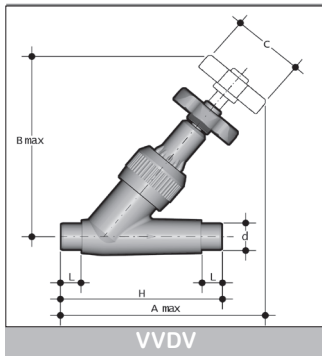
Type VMFV avec deux bouts femelles à fileter.  
Type VMIV avec deux bouts femelles à coller.  
Membrane : EPDM.

VMFV type : both ends interiorly parallel threaded.  
VMIV type : sockets for solvent welding.  
Diaphragm : EPDM.

	D	R	DN	L	H1	H2	H	E	Z	PN	€/ST/PC
<b>VMIV</b>	12	-	8	12.0	72	81	48	43	24	10	<b>33.77</b>
<b>VMRV</b>	-	1/4"	8	10.5	72	81	48	43	27	10	<b>37.12</b>



VMFV



VRIJSTROOMAFSLUITERS  
VANNES A SIEGE INCLINE  
ANGLE SEAT VALVES

Uitwendige lijmmoffen.

Spindelafdichting : PE met grafietvulling of PTFE. Huisafdichting : EPDM.

Spindel : met stalen kern.

Deux côtés mâles à coller.

Joint d'axe : PE graphité ou PTFE. Joint de corps : EPDM.

Axe : avec noyau en acier.

Spigots for solvent welding.

Gland seal : PE with graphite filling or PTFE. Bonnet seal : EPDM.

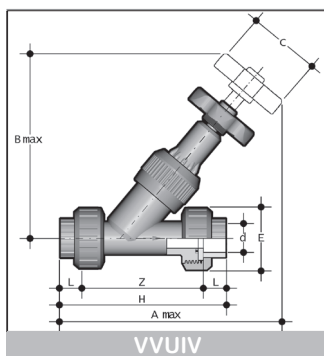
Spindle with steel insert.

D	DN	A <sub>max.</sub>	B <sub>max.</sub>	C	H	L	PN	€/ST/PC
16	10	136	124	60	114	14	16	37.88
20	15	146	124	60	124	16	16	39.86
25	20	165	146	60	144	19	16	44.13
32	25	188	173	70	154	22	16	52.52
40	32	217	195	85	174	26	10	69.18
50	40	247	222	105	194	31	10	92.34
63	50	249	269	130	224	38	10	134.20



kranen  
vannes  
valves

PVC



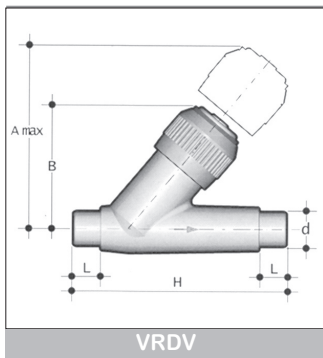
VRIJSTROOMAFSLUITERS  
VANNES A SIEGE INCLINE  
ANGLE SEAT VALVES

3-delige koppelingen met inwendige lijmoffen.  
Spindelafdichting : PE met grafietvulling. Huisafdichting : EPDM.  
Spindel : met stalen kern.

Raccordement avec pièces folles, femelles à coller.  
Joint d'axe : PE graphité. Joint de corps : EPDM.  
Axe : avec noyau en acier.

True union connections with solvent welding sockets.  
Gland seal : PE with graphite filling. Bonnet seal : EPDM.  
Spindle with steel insert.

D	DN	PN	B <sub>max</sub>	C	E	L	Z	H	A <sub>max</sub>	G/ST/PC	€/ST/PC
16	10	16	124	60	55	14	107	135	170	238	43.37
20	15	16	124	60	55	16	103	135	173	251	44.32
25	20	16	146	60	66	19	120	158	197	413	50.79
32	25	16	173	70	75	22	132	176	223	621	60.42
40	32	10	195	85	85	26	155	207	258	903	79.56
50	40	10	222	105	100	31	181	243	295	1320	106.21
63	50	10	269	130	120	38	222	298	359	2238	159.05



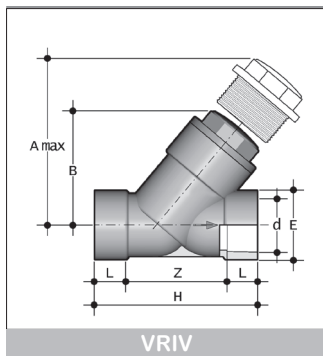
TERUGSLAGKLEPPEN  
CLAPETS DE RETENUE  
CHECK VALVES

Uitwendige lijmmof  
Afdichting EPDM  
FPM ringen zie hoofdstuk toebehoren.

Bouts mâles à coller.  
Etanchéité : EPDM.  
Joints FPM : voir chapitre accessoires.  
Avec raccordement à brides : prix sur demande.

Spigots for solvent welding.  
Seal : EPDM.  
FPM rings see chapter accessories.  
Also available with flanges : price on request.

D	L	B	H	PN	€/ST/PC
16	14	72	114	16	30.50
20	16	72	124	16	32.49
25	19	83	144	16	37.74
32	22	96	154	16	45.15
40	26	110	174	16	56.22
50	31	120	194	16	80.01
63	38	142	224	16	116.01



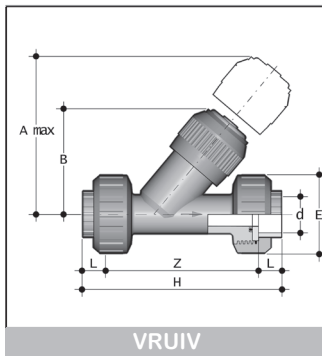
TERUGSLAGKLEPPEN  
CLAPETS DE RETENUE  
CHECK VALVES

Inwendige lijmmof  
Afdichting EPDM  
FPM ringen zie hoofdstuk toebehoren.

Bouts femelles à coller  
Etanchéité: EPDM  
Joints FPM : voir chapitre accessoires.

Sockets for solvent welding  
Seals: EPDM  
FPM rings see chapter accessories.

D	DN	PN	A <sub>max</sub>	B	E	L	Z	H	K	G/ST/PC	€/ST/PC EPDM
75	65	10	300	179	104	44	155	243	96	3485	199.81
90	80	6	325	192	116	51	160	262	105	4530	259.37
110	100	6	385	231	138	61	203	325	-	7170	456.07

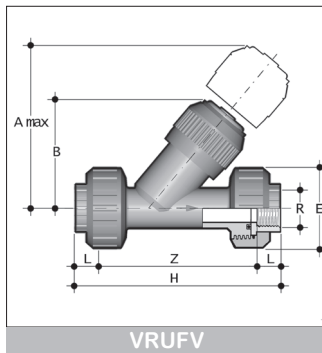


VRUIV

TERUGSLAGKLEPPEN  
CLAPETS DE RETENUE  
CHECK VALVES

3-delige koppelingen met inwendige lijmof (VRUIV) of inwendige schroefdraad (VRUFV).  
Afdichting : EPDM.  
FPM ringen : zie hoofdstuk toebehoren.

Raccordement avec pièces folles, bouts femelles à coller (VRUIV) ou bouts femelles à fileter.  
(VRUFV)  
Etanchéité : EPDM.  
Joints FPM : voir chapitre accessoires.



VRUFV

True union connections with solvent welding sockets (VRUIV) or interior thread (VRUFV).  
Seals : EPDM.  
FPM rings : see chapter accessories.

D	R	PN	A <sub>max.</sub>	B	E	L		Z		H		G/ST/PC		€/ST/PC	
						VRUIV	VRUFV	VRUIV	VRUFV	VRUIV	VRUFV	VRUIV	VRUFV	VRUIV	VRUFV
16	3/8"	16	125	72	55	14	11.4	107	112.2	135	135	218	221	35.05	50.28
20	1/2"	16	125	72	55	16	15.0	103	112.0	135	142	226	230	37.38	52.14
25	3/4"	16	145	84	66	19	16.3	120	126.4	158	159	388	390	43.37	60.42
32	1"	16	165	95	75	22	19.1	132	144.8	176	183	606	602	51.84	74.41
40	1 1/4"	16	190	111	87	26	21.4	155	171.2	207	214	923	932	64.69	94.61
50	1 1/2"	16	210	120	100	31	21.4	181	192.2	243	235	1335	1341	91.93	124.60
63	2"	16	240	139	120	38	25.7	222	233.6	298	285	2313	2348	133.89	164.77

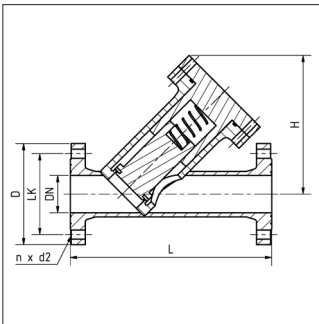


TERUGSLAGKLEPPEN MET SCHUINE ZITTING GROTE DIAMETERS  
CLAPTES DE RETENUE A SIEGE INCLINEEU EN GRAND DIAMETRES  
ANGLE SEAT CHECK VALVES BIG DIAMETERS

**PN 2**

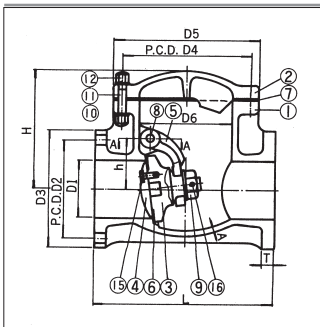
Met vaste flenzen volgens DIN EN 1092-1, DIN2501 PN10.  
Veerbelast (FEP omwikkelde veer), dichtingen EPDM of FPM.

A brides fixes suivants DIN EN 1092-1, DIN2501 PN10.  
Avec ressort (FEP incapsulé), joints d'étanchéité en EPDM ou FPM.



Fixed flanges acc to DIN EN1092-1, DIN2501 PN10.  
Spring loaded (FEP coated), seals in EPDM or FPM.

d	DN	H	L	LK	D	n x d2	Kv l/min $\Delta p=1\text{bar}$	G/ST/PC	€/ST/PC EPDM	€/ST/PC FPM
75	65	260	370	145	185	4 x $\phi 18$	500	8000	2151.14	2205.12
90	80	275	410	160	200	8 x $\phi 18$	1000	11000	2363.05	2406.04
110	100	325	440	180	220	8 x $\phi 18$	1600	13000	2881.85	2935.83
160	150	430	600	240	285	8 x $\phi 22$	4500	19000	4834.07	4926.03



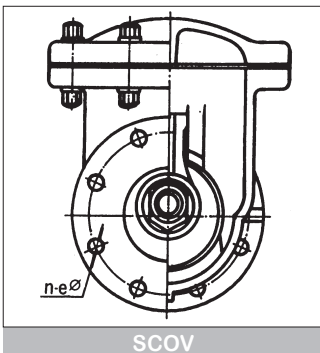
SCOV

SWING TERUGSLAGKLEPPEN  
CLAPETS DE RETENUE SWING  
SWING CHECK VALVES

Flensaansluiting volgens DIN 2501, PN 10  
Dichtingen : EPDM, FPM, PTFE

Connection à brides suivant DIN 2501 PN 10  
Joints : EPDM, FPM, PTFE

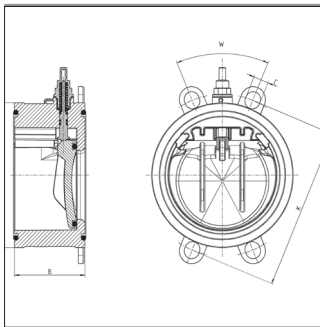
With flange connection according to DIN 2501 PN 10  
Seals : EPDM, FPM, PTFE



SCOV

DN	A	B	H	L	T	PN (bar)	G/ST/PC
20	105	86	90	140	15	7	780
25	115	130	120	160	15	7	1600
40	150	145	138	180	16	7	2700
50	165	180	164	200	17	7	4000
65	185	205	171	260	20	7	5100
80	200	205	171	260	20	7	5500
100	220	265	213	300	23	5	9500
125	250	330	238	350	25	5	16300
150	285	370	268	400	30	5	20800
200	340	425	306	500	31	3	34000

werkdruk bij 20°C  
pression de travail à 20°C  
working pressure at 20°C



TYPE K4

TERUGSLAGKLEPPEN  
CLAPETS DE RETENUE  
CHECK VALVES

PN 6

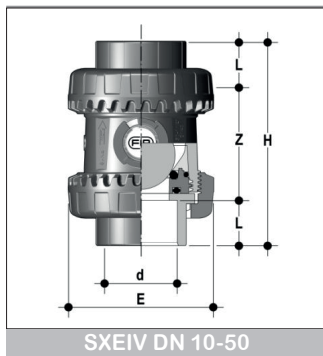
Met standaardwijzer  
Opening tot 85°, dichting EPDM of FPM  
Verbinding d.m.v. kraag / flens  
Leverbaar met veer voor werkdruk van 3 en 6 bar

Avec indicateur de position.  
Ouverture jusqu'à 85°, joint EPDM ou FPM  
Raccordement avec collet / bride.  
Livrabale acec ressort pour pression de 3 à 6 bar.

With position indicator  
Opening up to 85°, gasket EPDM or FPM  
Connection by stub flange / flange  
With spring for pressure 3 to 6 bar.

DN	A	B	C	K	W
65	115	63	20	139-145	90°
80	128	71	20	150-160	45°
100	155	80	20	175-191	45° BS
150	212	106	24	234-242	45° BS
200	264	140	24	290-299	45° BS
250	325	140	27	350-362	30° BS

Prijs op aanvraag / prix sur demande / price on request.

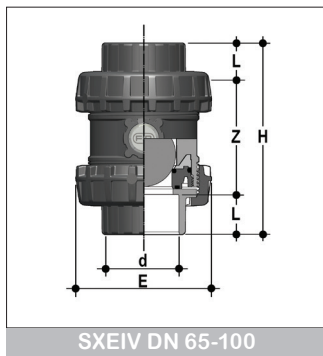


**KOGELTERUGSLAGKLEPPEN**  
**CLAPETS DE RETENUE A BILLE**  
**BALL CHECK VALVES**

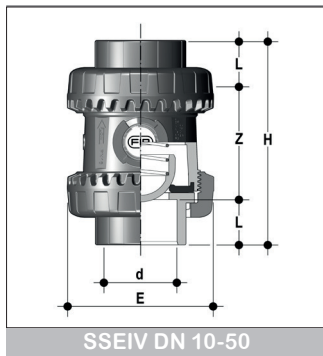
Inwendige lijmaansluiting. / Afdichting : EPDM + FPM.  
Voor horizontale inbouw (mits een tegendruk van min. 0,2 bar) en verticale inbouw.  
Uitwisselbaar met afsluiter VEEIV.

Bout femelle à coller. / Etanchéité : EPDM + FPM.  
Pour installation horizontale (avec une pression min. de 0,2 bar) et installation verticale.  
Interchangeable avec vanne VEEIV.

Socket for solvent welding. / Seal : EPDM + FPM.  
For horizontal installation (with min. back pressure of 0,2 bar) and vertical installation.  
Interchangeable with valve VEEIV.



D	DN	PN	L	Z	H	E	G/ST/PC	€/ST/PC	
								EPDM	FPM
16	10	16	14	54	82	54	145	41.18	43.59
20	15	16	16	50	82	54	148	41.34	43.74
25	20	16	19	53	91	63	190	47.80	48.82
32	25	16	22	59	103	72	300	50.78	53.00
40	32	16	26	68	120	85	460	63.21	71.31
50	40	16	31	77	139	100	675	77.74	83.19
63	50	16	38	98	174	118	1080	112.93	132.64
75	65	16	44	123	211	157	2605	260.37	278.59
90	80	16	51	146	248	174	3300	326.61	347.48
110	100	16	61	161	283	212	5770	428.59	472.75

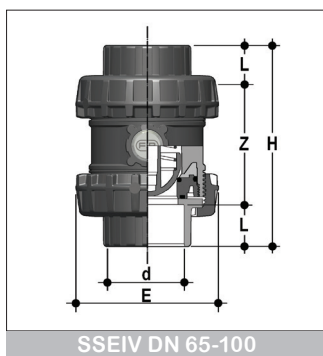


**KOGELTERUGSLAGKLEPPEN MET VEER**  
**CLAPETS DE RETENUE CHARGEE PAR RESSORT**  
**CHECK VALVES SPRING LOADED**

Vrouwelijke lijmuiteinden (SSEIV), draadaansluiting (SSEFV)  
Dichtingen: EPDM, FPM  
Veer: WSt 1.4401 (op aanvraag met PTFE coating)

Bouts femelles à coller (SSEIV), filletage femelle (SSEFV)  
Joints: EPDM, FPM  
Ressort: WSt 1.4401 (sur demande enrobé avec PTFE)

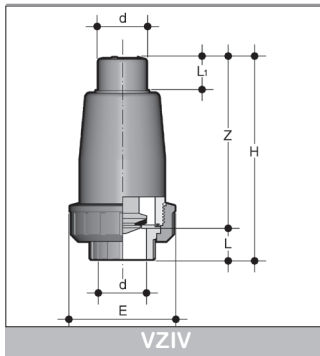
Sockets for solvent welding (SSEIV), threaded sockets (SSEFV)  
Seals: EPDM, FPM  
Spring: WSt 1.4401 (on request with PTFE coating)



D	DN	PN	L	Z	H	E	G/ST/PC	€/ST/PC	
								EPDM	FPM
16	10	16	14	54	82	54	146	33.81	*
20	15	16	16	50	82	54	149	33.95	35.89
25	20	16	19	53	91	63	188	39.49	40.10
32	25	16	22	59	103	72	292	41.68	43.51
40	32	16	26	68	120	85	445	51.90	58.56
50	40	16	31	77	139	100	640	63.84	68.33
63	50	16	38	98	174	118	1010	93.68	108.93
75	65	16	44	123	211	157	2480	204.01	*
90	80	16	51	146	248	174	3090	255.94	*
110	100	16	61	161	283	212	5370	335.86	*

Openingsdruk: 0.08 bar  
Pression d'ouverture: 0.08 bar  
Opening pressure: 0.08 bar

\* op aanvraag / sur demande / on request.



VOETKLEPPEN  
CLAPETS A PIED  
FOOT VALVES

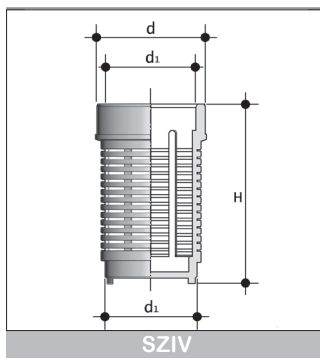
**PN 16**

Uitwendige lijmaansluiting boven en inwendige lijmmof onderaan.  
Afdichting : EPDM.  
In verticale positie gebruiken.  
Flens- en draadaansluiting: op aanvraag

Bout mâle à coller en haut et bout femelle à coller en côté bas.  
Etanchéité : EPDM.  
Ne monter les clapets qu'en position verticale.  
Raccordement à brides et filetage femelle : sur demande.

Spigots for solvent welding above, socket for solvent welding below.  
Seal : EPDM.  
Use only in vertical position  
Flange connection et threaded sockets : on request.

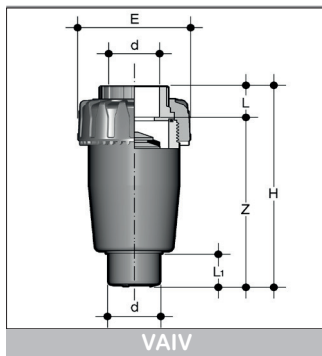
D	DN	E	L	L1	Z	H	G/ST/PC	€/ST/PC
16	10	55	14	15	87	101	105	<b>34.88</b>
20	15	55	16	18	87	103	120	<b>35.75</b>
25	20	65	19	20	106	125	210	<b>40.37</b>
32	25	75	22	24	128	150	350	<b>43.61</b>
40	32	87	26	28	145	171	560	<b>49.16</b>
50	40	100	31	34	156	187	760	<b>68.23</b>
63	50	122	38	41	185	223	1340	<b>97.21</b>



ZUIGKORVEN  
CREPINES  
STRAINER BASKETS

Met in- en uitwendige lijmaansluiting.  
Avec bouts mâles et femelles à coller.  
With spigot and socket for solvent welding.

d	d1	H	€/ST/PC
20	16	48.5	<b>13.64</b>
25	20	60.0	<b>14.64</b>
32	25	75.0	<b>15.29</b>
40	32	88.0	<b>28.88</b>
50	40	83.0	<b>29.69</b>
63	50	105.5	<b>30.64</b>
75	63	128.0	-



ONTLUCHTINGSKLEPPEN  
VENTOUSES  
AIR RELEASE VALVES

Type VAIV met uitwendige lijmaansluiting onder en inwendige lijmmof bovenaan.

Afdichting : EPDM

Ontluchtingskleppen alleen in verticale positie gebruiken met de moer naar boven gericht.

De voetkleppen en de ontluchtingskleppen zien er hetzelfde uit. De stift van de voetklep is echter zwaarder.

Bout mâle à coller en bas et bout femelle à coller en haut.

Etanchéité : EPDM.

Ne monter les ventouses qu'en position verticale, l'écrou est placé du côté supérieur.

Les clapets de pieds et les ventouses sont visuellement identiques, mais le piston du clapet de pied est plus lourd.

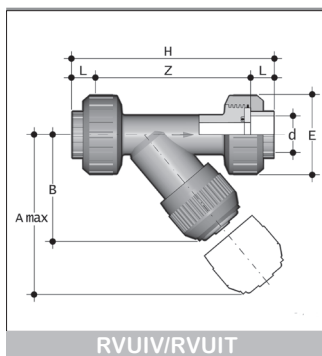
Spigot for solvent welding above, socket for solvent welding below.

Seals : EPDM.

Use air release valves only in vertical position with the nut on top.

The foot valves and air release valves look the same however the piston of the foot valve is heavier.

D	DN	E	L	L1	Z	H	G/ST/PC	PN	€/ST/PC
20	15	55	16	18	87	103	105	16	35.76
25	20	65	19	20	106	125	185	16	40.45
32	25	75	22	24	128	150	280	16	43.62
40	32	87	26	28	145	171	415	16	49.16
50	40	100	31	34	156	187	570	16	68.23
63	50	122	38	41	185	223	950	16	101.34



VUILVANGERS  
FILTRES A TAMIS  
SEDIMENT STRAINERS

Aansluiting : 3-delige koppeling met inwendige lijmmof.

Dichting : EPDM. FPM set: op aanvraag

Zeef : PVC standaard maaswijdte : 1.5 mm. Andere zeeffjes zie hoofdstuk VII Toebehoren.

Huis : donkergrijs PVC (RVUIV) of transparant PVC (RVUIT).

Raccordement : Raccordement avec pièces folles, collage intérieur.

Joint : EPDM. Set FPM: sur demande

Tamis : PVC frame standard du tamis : 1.5 mm. Autres tamis : voir chapitre VII Accessoires.

Corps : PVC gris foncé (RVUIV) ou PVC transparent (RVUIT).

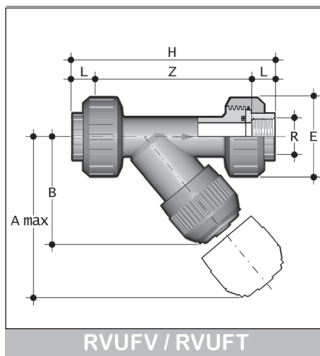
Connection : True union connections with solvent welding sockets.

Seals : EPDM. FPM set: on request.

Screen : PVC standard 1.5 mm mesh. Other screens : see chapter VII Accessories.

Body : dark grey PVC (RVUIV) or transparent PVC (RVUIT).

D	DN	PN		A <sub>max</sub>	B	E	L	Z	H	G/ST/PC	€/ST/PC	
		RVUIV	RVUIT								RVUIV	RVUIT
16	10	16	16	125	72	55	14	107	135	203	28.82	28.82
20	15	16	16	125	72	55	16	103	135	211	28.82	28.82
25	20	16	16	145	84	66	19	120	158	358	33.34	33.34
32	25	16	16	165	95	75	22	132	176	526	45.44	45.44
40	32	16	10	190	110	87	26	155	207	733	57.52	57.52
50	40	16	10	210	120	100	31	181	243	1095	75.28	75.28
63	50	16	10	240	139	120	38	222	298	1843	97.95	97.95



RVUFV / RVUFT

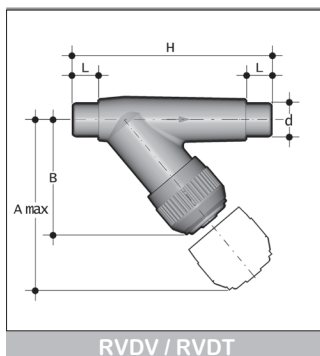
VUILVANGERS  
FILTRES A TAMIS  
SEDIMENT STRAINERS

Aansluiting : 3 delige koppeling met inwendige schroefdraad  
Dichting : standaard EPDM FPM: op aanvraag  
Zeef : standaard maaswijdte : 1.5 mm. Andere zeeffjes zie hoofdstuk VII  
Toebehoren.  
Huis : donkergrijs PVC (RVUFV) of transparant PVC (RVUFT).

Raccordement : Raccordement avec pièces folles, filetage intérieur.  
Joint : standard EPDM. FPM : sur demande  
Tamis : trame standard du tamis : 1.5 mm. Autres tamis : voir chapitre VII  
Accessoires.  
Corps : PVC gris foncé (RVUFV) ou PVC transparent (RVUFT).

Connection : True union connections, solvent welding sockets, interior parallel thread  
Seals : standard EPDM. FPM: on request  
Screen : standard 1.5 mm mesh. Other screens : see chapter VII Accessories.  
Body : dark grey PVC (RVUFV) or transparent PVC (RVUFT).

D	G	PN		A <sub>max.</sub>	B	E	L	Z	H	G/ ST/PC	€/ST/PC	
		RVUFV	RVUFT								RVUFV	RVUFT
10	3/8"	16	16	125	72	55	11.4	112.2	135	206	37.04	35.60
15	1/2"	16	16	125	72	55	15.0	112.0	142	210	41.12	38.78
20	3/4"	16	16	145	84	66	16.3	126.4	159	355	48.95	51.26
25	1"	16	16	165	95	75	19.1	244.8	183	522	65.97	68.36
32	1 1/4"	16	10	190	111	87	21.4	171.2	214	742	81.94	85.55
40	1 1/2"	16	10	210	120	100	21.4	192.2	235	1106	101.57	104.48
50	2"	16	10	240	139	120	25.7	233.6	285	1873	125.03	134.81



RVDV / RVDT

VUILVANGERS  
FILTRES A TAMIS  
SEDIMENT STRAINERS

Aansluiting : uitwendige lijmaansluitingen.  
Dichting : EPDM. FPM set: op aanvraag  
Zeef: PVC standaard maaswijdte: 1.5 mm. Andere zeeffjes zie hoofdstuk VII  
Toebehoren  
Huis: donkergrijs PVC (RVDV) of transparant PVC (RVDT)

Raccordement : bouts mâles à coller.  
Joint : EPDM. Set FPM: sur demande  
Tamis : PVC trame standard du tamis: 1.5 mm. Autres tamis: voir chapitre VII  
Accessoires  
Corps: PVC gris foncé (RVDV) ou PVC transparent (RVDT)

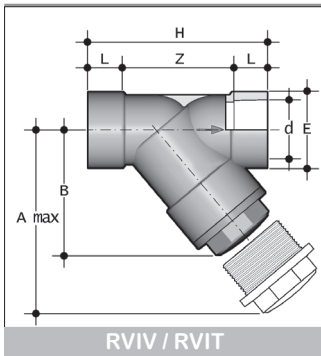
Connection : spigots for solvent welding.  
Seals : EPDM. FPM set: on request  
Screen: PVC standard 1.5 mm mesh. Other screens: see chapter VII Accessories.  
Body: dark grey PVC (RVDV) or transparent PVC (RVDT).

D	DN	A <sub>max.</sub>	L	B	H	G/ST/PC	PN		€/ST/PC	
							RVDV	RVDT	RVDV	RVDT
16	10	125	14	72	114	110	16	10	25.04	26.01
20	15	125	16	72	124	120	16	10	25.04	26.01
25	20	145	19	84	144	190	16	10	28.98	28.98
32	25	165	22	95	154	285	16	10	39.51	39.51
40	32	190	26	111	174	400	10	10	62.36	51.99
50	40	210	31	120	194	600	10	10	65.47	68.08
63	50	240	38	139	224	945	10	10	85.22	88.64



leidingcomponenten  
appendages  
piping components

PVC



INWENDIGE LIJMMOF  
FEMELLE À COLLER  
WELDING SOCKET

D	DN	PN		A <sub>max</sub>	B	E	L	Z	H	K	G/ST/PC	€/ST/PC	
		RVIV	RVIT									RVIV EPDM	RVIT EPDM
75	65	10	6	300	179	104	44	155	243	96	2385	131.09	135.11
90	80	6	4	325	192	116	51	160	262	105	2975	151.92	154.28
110	100	6	4	385	231	138	61	203	325	-	4610	357.73	362.47



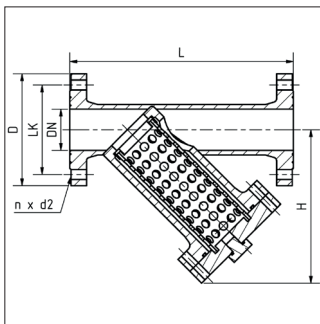
RV OV

VUILVANGERS IN GROTE DIAMETERS  
 FILTRES A TAMIS EN GRAND DIAMETRES  
 SEDIMENT STRAINERS IN BIG DIAMETERS

Met vaste flenzen volgens DIN EN 1092-1, DIN2501 PN10.  
 ETFE filter, standaard maaswijdte 2,0 mm, andere op aanvraag, dichtingen EPDM of FPM.

A brides fixes suivants DIN EN 1092-1, DIN2501 PN10.  
 Trame du filtre ETFE 2,0 mm, autres sur demande, joints d'étanchéité en EPDM ou FPM.

Fixed flanges acc to DIN EN1092-1, DIN2501 PN10.  
 ETFE filter, standard mesh 2,0 mm, others on request, seals in EPDM or FPM



d	DN	PN	H	L	LK	D	n x d2	Kv l/min $\Delta p=1\text{bar}$	G/ST/PC	€/ST/PC EPDM	€/ST/PC FPM
75	65	2	260	370	145	185	4 x $\varnothing 18$	500	7800	2152	2206
90	80	2	275	410	160	200	8 x $\varnothing 18$	1000	10000	2364	2407
110	100	2	325	490	180	220	8 x $\varnothing 18$	1600	12500	2883	2937
140	125	2	380	550	210	250	8 x $\varnothing 22$	3000	20000	3995	4081
160	150	2	430	600	240	285	8 x $\varnothing 22$	4500	26500	4836	4928

**Op aanvraag :**

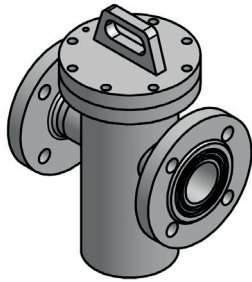
- Manometeraansluiting op de filteruitgang
- Aftapkraan
- Snelsluitsysteem

**Sur demande:**

- Perçage pour manomètre
- Vanne de purge
- Tendeurs rapides

**On request:**

- Pressure gauge port
- Drainvalve
- Quick release clamps



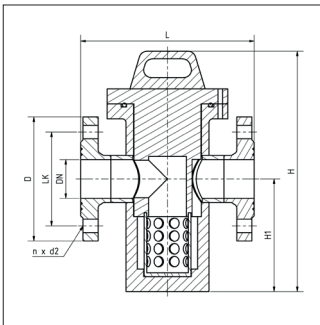
BSOV

MANDFILTERS  
FILTRES A PANIER  
POT STRAINERS

Met vaste flenzen volgens DIN EN 1092-1, DIN2501 PN10.  
ETFE filter, standaard maaswijdte 2,0 mm, andere op aanvraag, dichtingen EPDM of FPM.  
Schoonmaken/vervangen filter van bovenuit.

A brides fixes suivants DIN EN 1092-1, DIN2501 PN10.  
Trame du filtre ETFE 2,0mm, autres sur demande, joints d'étanchéité en EPDM ou FPM.  
Nettoyage /remplacement du filtre par au-dessus.

Fixed flanges acc to DIN EN1092-1, DIN2501 PN10.  
ETFE filter, standard mesh 2,0mm, others on request, seals in EPDM or FPM.  
Filter cleaning/exchange from above.



d	DN	PN	H	H1	L	LK	D	n x d2	Kv l/min $\Delta p=1\text{bar}$	G/ST/PC	€/ST/PC EPDM	€/ST/PC FPM
63	50	2	320	150	230	125	165	4 x $\varnothing 18$	350	5500	1890	1933
75	65	2	450	250	255	145	185	4 x $\varnothing 18$	500	7800	2045	2093
90	80	2	480	270	270	160	200	8 x $\varnothing 18$	1000	10000	2250	2287
110	100	2	573	285	350	180	220	8 x $\varnothing 18$	1600	12500	2737	2789
140	125	2	620	365	400	210	250	8 x $\varnothing 22$	3000	20000	3799	3880
160	150	2	690	410	450	240	285	8 x $\varnothing 22$	4500	26500	4596	4685

**Op aanvraag :**

- Manometeraansluiting op de filteruitgang
- Aftapkraan
- Snelsluitsysteem

**Sur demande:**

- Perçage pour manomètre
- Vanne de purge
- Tendeurs rapides

**On request:**

- Pressure gauge port
- Drainvalve
- Quick release clamps

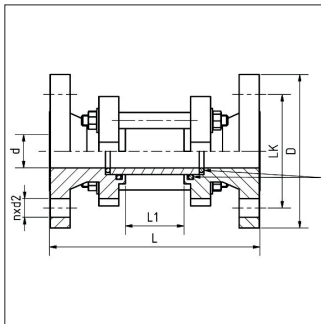


KIJKGLAZEN  
REGARDS DE COULEE  
INSPECTION GLASSES

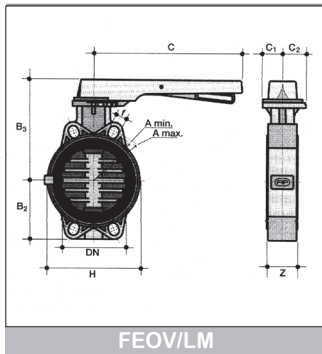
Met vaste flenzen volgens DIN EN 1092-1, DIN2501 PN10.  
Dubbele afdichting ten behoeve van verhoogde veiligheid (EPDM of FPM).  
Borosilikaat kijkglas.

A brides fixes suivants DIN EN 1092-1, DIN2501 PN10.  
Double étanchéité pour une sécurité élevée (EPDM ou FPM).  
Tube en verre borosilicaté.

Fixed flanges acc to DIN EN1092-1, DIN2501 PN10.  
Double process safety through 2 seals (EPDM or FPM).  
Tube in borosilicate glass.



d	DN	PN	L	L1	LK	D	n x d2	G/ST/PC	€/ST/PC	€/ST/PC
DIN EN 1092-1 / DIN2501								EPDM	FPM	
20	15	10	140	26	65	95	4 x ø14	800	<b>359.19</b>	<b>396.92</b>
25	20	10	150	36	75	105	4 x ø14	1300	<b>378.81</b>	<b>421.07</b>
32	25	10	160	46	85	115	4 x ø14	1300	<b>401.45</b>	<b>443.70</b>
40	32	10	180	58	100	140	4 x ø18	1600	<b>443.70</b>	<b>487.47</b>
50	40	10	200	70	110	150	4 x ø18	2100	<b>466.34</b>	<b>522.18</b>
63	50	10	230	92	125	165	4 x ø18	2600	<b>501.05</b>	<b>567.46</b>
75	65	7	290	116	145	185	4 x ø18	3800	<b>644.43</b>	<b>709.32</b>
90	80	7	310	126	160	200	8 x ø18	5600	<b>756.11</b>	<b>833.08</b>
110	90	6	350	160	180	220	8 x ø18	6400	<b>1007.99</b>	<b>1122.84</b>
140	125	5	400	196	210	250	8 x ø18	13300	<b>1388.46</b>	<b>1510.71</b>
160	150	5	480	244	240	285	8 x ø22	13800	<b>2112.88</b>	<b>2245.69</b>



FEOV/LM

VLINDERKLEPPEN - HANDBEDIEND	FEOV	WATER
VANNES PAPILLON - AVEC POIGNEE	FEOV	EAU
BUTTERFLY VALVE - HAND OPERATED	FEOV	WATER

**Afmetingen / dimensions / overall dimensions:**  
ISO 5752 medium serie 25, DIN 3202 K2.

**Materialen / matériaux / materials:**

Lichaam / corps / body:	PVC-U
Klepblad / papillon / disc:	PVC-U
Axe / axe / stem:	verzinkt staal / acier zingué / zinc plated steel
Zitting / siège / liner:	EPDM, FPM

**Wafer type:**

Tussen flenzen / entre brides / between flanges:  
EN ISO 1452, EN ISO 15493, DIN2501, ISO 7005-1, EN 1092-1, ASTM B16.5 Cl. 150

**Opmerking / remarque / remark:**

Alvorens vlinderkleppen te monteren, is het aan te raden eerst de binnendiameter van de kragen te controleren. Bij bepaalde diameters kan een aanpassing van de kragen noodzakelijk zijn.

Avant d'effectuer l'installation de vannes papillons, il est conseillé de vérifier le diamètre intérieur des collets. En certains cas, il est nécessaire de chamfreiner.

Before installing butterfly valves, it is advisable to check the internal diameter of the stubs. For certain dimensions, it is necessary to chamfer the stubs.

d	DN	B <sup>2</sup>	B <sup>3</sup>	C	C <sup>1</sup>	C <sup>2</sup>	H	Z	A <sup>max.</sup>	A <sup>min.</sup>	f	PN	G/ST/PC	€/ST/PC	
														EPDM	FPM
50	40	60	136	175	45	42	132	33	93.5	109	19	16	827	75.66	132.58
63	50	70	143	175	45	42	147	43	108.0	124	19	10	1012	79.82	139.75
75	65	80	168	250	45	53	165	46	128.0	144	19	10	1420	82.24	144.11
90	80	90	182	250	45	53	130	49	145.0	159	19	10	1640	94.25	172.35
110	100	105	196	250	45	53	150	56	165.0	190	19	10	1990	105.03	214.09
125	125	121	215	335	45	53	185	64	204.0	215	23	10	3030	119.14	280.14
*140	125	121	215	335	45	53	185	64	204.0	215	23	10	3030	119.14	280.14
160	150	132	229	335	45	53	210	70	230.0	242	23	10	3730	146.09	404.66
*200	200	161	309	425	65	82	325	71	280.0	298	23	10	8240	257.21	545.71
225	200	161	309	425	65	82	325	71	280.0	298	23	10	8240	257.21	545.71

\* met speciale kragen / avec collets special / with special colars

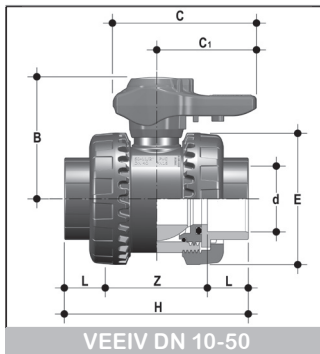
**FEOV/RM op aanvraag / sur demande / on request**



kranen  
vannes  
valves

EASYFIT

PVC



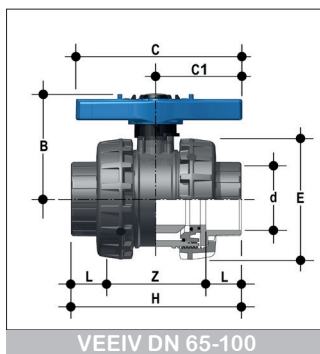
VEEIV DN 10-50

KOGELKRANEN  
VANNES A BILLE  
BALL VALVES

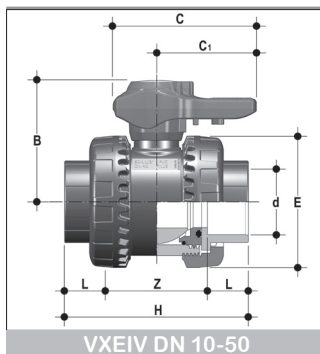
Vrouwelijke lijmaansluiting. Uitsluitend voor watertransport.  
Bouts femelles à coller. Uniquement pour le transport de l'eau.  
Sockets for solvent welding. For water transport only.

Dichting : EPDM      Kogelzitting : PE      Labeling systeem: optie  
Joint : EPDM      Etanchéité de sphère : PE      Le système d'étiquetage: option  
Gasket : EPDM      Ball seat : PE      Labellingsysteem: optioneel

D	DN	PN	L	Z	H	E	B	C	C1	G/ST/PC	€/ST/PC
16	10	16	14	54	82	53	50.0	65	20	150	8.69
20	15	16	16	50	82	53	50.0	65	20	145	8.74
25	20	16	19	53	91	62	58.0	76	23	220	10.35
32	25	16	22	59	103	71	65.0	85	27	315	12.21
40	32	16	26	68	120	84	76.0	100	30	505	15.88
50	40	16	31	77	139	98	85.0	112	33	715	18.35
63	50	16	38	98	174	117	103.0	137	39	1245	25.90
75	65	16	44	123	211	157	142.0	214	115	2750	102.54
90	80	16	51	146	248	174	151.0	239	126	3432	130.04
110	100	16	61	161	283	212	174.5	270	145	5814	210.89



VEEIV DN 65-100



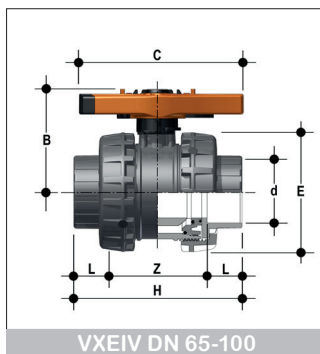
VXEIV DN 10-50

KOGELKRANEN  
VANNES A BILLE  
BALL VALVES

Vrouwelijke lijmaansluiting. Uitsluitend voor watertransport.  
Bouts femelles à coller. Uniquement pour le transport de l'eau.  
Sockets for solvent welding. For water transport only.

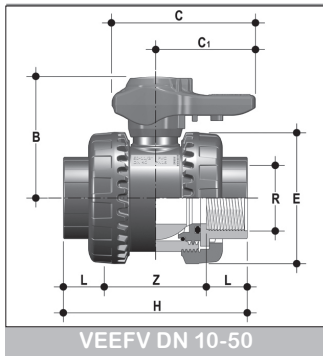
Dichting : EPDM/FPM      Kogelzitting : PTFE      Labeling systeem: standaard  
Joint : EPDM/FPM      Etanchéité de sphère : PTFE      Le système d'étiquetage : standard  
Gasket : EPDM/FPM      Ball seat : PTFE      Labelling system: standard

D	DN	PN	L	Z	H	E	B	C	C1	G ST/PC	€/ST/PC	
											EPDM	FPM
16	10	16	14	54	82	54	49	64	20	180	34.33	42.19
20	15	16	16	50	82	54	49	64	20	175	35.43	42.98
25	20	16	19	53	91	63	62	78	23	260	41.86	50.70
32	25	16	22	59	103	72	71	87	27	365	50.41	59.50
40	32	16	26	68	120	85	82	102	30	565	64.67	75.64
50	40	16	31	77	139	100	92	109	33	795	82.72	92.66
63	50	16	38	98	174	118	110	133	39	1325	96.78	134.24
75	65	16	44	123	211	157	142	214	115	2750	235.06	281.85
90	80	16	51	146	248	174	151	239	126	3432	294.83	351.56
110	100	16	61	161	283	212	174.5	270	145	5814	386.95	478.32



VXEIV DN 65-100

**FIP** kranen vannes valves **EASYFIT** **PVC**

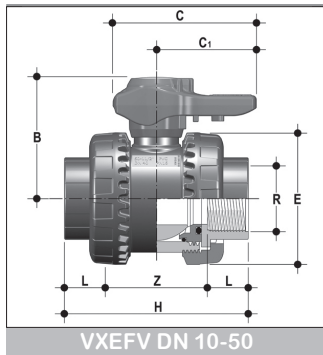
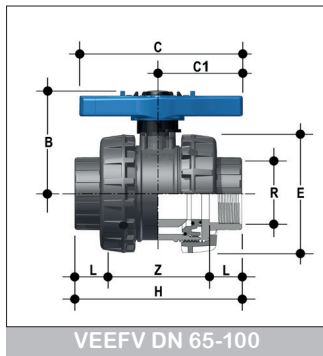


**KOGELKRANEN  
VANNES A BILLE  
BALL VALVES**

Inwendige draadaansluiting BS, NPT op aanvraag. Uitsluitend voor watertransport.  
Bouts femelles filetés BS, NPT sur demande. Uniquement pour le transport de l'eau.  
BS parallel threaded sockets, NPT on request. For water transport only.

Dichting : EPDM      Kogelzitting : PE      Labeling systeem: optie  
Joint : EPDM      Etanchéité de sphère : PE      Le système d'étiquetage: option  
Gasket : EPDM      Ball seat : PE      Labellingsysteem: optioneel

R	DN	PN	L	Z	H	E	B	C	C1	G/ST/PC	€/ST/PC
3/8"	10	16	11.4	59.2	82	54	49.0	64	20	180	9.58
1/2"	15	16	15.0	60.0	90	54	49.0	64	20	175	9.65
3/4"	20	16	16.3	60.4	93	63	62.0	78	23	260	11.39
1"	25	16	19.1	71.8	110	72	71.0	87	27	365	13.43
1 1/4"	32	16	21.4	84.2	127	85	82.0	102	30	565	17.45
1 1/2"	40	16	21.4	88.2	131	100	92.0	109	33	795	20.20
2"	50	16	25.7	109.6	161	118	110.0	133	39	1325	28.48
2 1/2"	65	16	30.2	150.6	211	157	142.0	214	115	2750	113.02
3"	80	16	33.3	181.4	248	174	151.0	239	126	3432	143.30
4"	100	16	39.3	204.4	283	212	174.5	270	145	5814	232.41

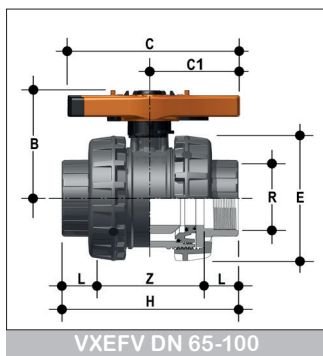


**KOGELKRANEN  
VANNES A BILLE  
BALL VALVES**

Inwendige draadaansluiting BS, NPT op aanvraag. Uitsluitend voor watertransport.  
Bouts femelles filetés BS, NPT sur demande. Uniquement pour le transport de l'eau.  
BS parallel threaded sockets, NPT on request. For water transport only.

Dichting : EPDM/FPM      Kogelzitting : PTFE      Labeling systeem: standaard  
Joint : EPDM/FPM      Etanchéité de sphère : PTFE      Le système d'étiquetage: standard  
Gasket : EPDM/FPM      Ball seat : PTFE      Labellingsysteem: standard

R	DN	PN	L	Z	H	E	B	C	C1	G ST/PC	€/ST/PC	
											EPDM	FPM
3/8"	10	16	11.4	59.2	82	54	49.0	64	20	180	35.41	40.24
1/2"	15	16	15.0	60.0	90	54	49.0	64	20	175	35.56	40.76
3/4"	20	16	16.3	60.4	93	63	62.0	78	23	260	41.98	47.70
1"	25	16	19.1	71.8	110	72	71.0	87	27	365	50.31	56.81
1 1/4"	32	16	21.4	84.2	127	85	82.0	102	30	565	65.38	72.40
1 1/2"	40	16	21.4	88.2	131	100	92.0	109	33	795	79.02	87.35
2"	50	16	25.7	109.6	161	118	110.0	133	39	1325	116.69	136.71
2 1/2"	65	16	30.2	150.6	211	157	142.0	214	115	2750	240.83	282.55
3"	80	16	33.3	181.4	248	174	151.0	239	126	3432	301.41	351.95
4"	100	16	39.3	204.4	283	212	174.5	270	145	5814	366.65	448.07

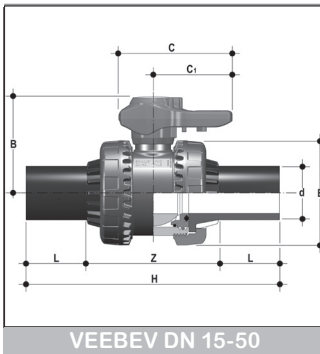




kranen  
vannes  
valves

EASYFIT

PVC



VEEBEV DN 15-50

KOGELKRANEN  
VANNES A BILLE  
BALL VALVES

PE lasaansluiting. Uitsluitend voor watertransport.  
Embout de soudage en PE. Uniquement pour le transport de l'eau.  
PE welding ends. For water transport only.

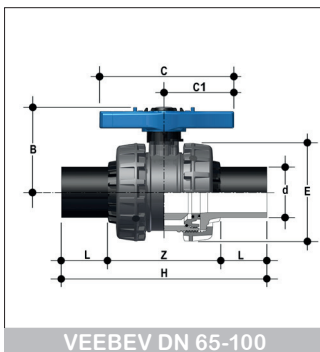
Dichting : EPDM  
Joint : EPDM  
Gasket : EPDM

Kogelzitting : PE  
Etanchéité de sphère : PE  
Ball seat : PE

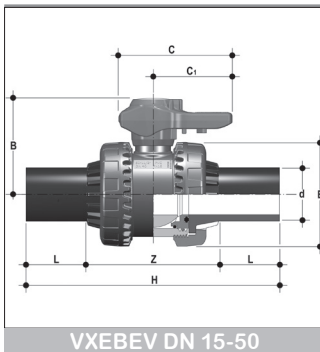
Labeling systeem: optie  
Le système d'étiquetage: option  
Labellingsysteem: optioneel

D	DN	L	Z	H	E	B	C	C1	G/ST/PC
20	15	41.0	72	154	54	49.0	64	20	180
25	20	52.0	82	186	63	62.0	78	23	269
32	25	54.5	90	199	72	71.0	87	27	379
40	32	56.0	105	217	85	82.0	102	30	591
50	40	58.0	120	236	100	92.0	109	33	851
63	50	66.0	136	268	118	110.0	133	39	1407
75	65	71.0	189	331	157	141.5	214	115	2286
90	80	88.0	191	367	174	151.0	239	126	3059
110	100	92.0	223	407	212	174.5	270	145	5814

prijs op aanvraag / prix sur demande / prince on request



VEEBEV DN 65-100



VXEBEV DN 15-50

KOGELKRANEN  
VANNES A BILLE  
BALL VALVES

PE lasaansluiting. Uitsluitend voor watertransport.  
Embout de soudage en PE. Uniquement pour le transport de l'eau.  
PE welding ends. For water transport only.

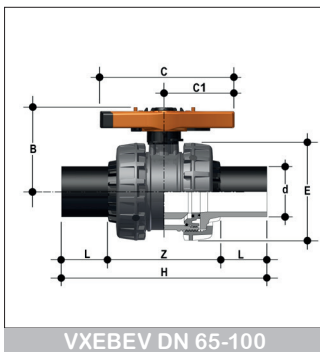
Dichting : EPDM/FPM  
Joint : EPDM/FPM  
Gasket : EPDM/FPM

Kogelzitting : PTFE  
Etanchéité de sphère : PTFE  
Ball seat : PTFE

Labeling systeem: standaard  
Le système d'étiquetage: standard  
Labellingsysteem: standard

D	DN	L	Z	H	E	B	C	C1	G/ST/PC
20	15	41.0	72	154	54	49.0	64	20	180
25	20	52.0	82	186	63	62.0	78	23	269
32	25	54.5	90	199	72	71.0	87	27	379
40	32	56.0	105	217	85	82.0	102	30	591
50	40	58.0	120	236	100	92.0	109	33	851
63	50	66.0	136	268	118	110.0	133	39	1407
75	65	71.0	189	331	157	141.5	214	115	2286
90	80	88.0	191	367	174	151.0	239	126	3059
110	100	92.0	223	407	212	174.5	270	145	5473

prijs op aanvraag / prix sur demande / prince on request



VXEBEV DN 65-100



kranen  
vannes  
valves

EASYFIT

PVC



KET 01

#### EASYTORQUE KIT

De Easytorque kit wordt gebruikt voor een optimale aanspanning van alle schroefdraad componenten uit het Easyfit assortiment. Hierdoor worden te hoge spanningen vermeden en lekkages voorkomen.

#### Deze kit bevat:

- 1 momentsleutel
- 6 inserts voor het aandraaien van de wartelmoeren
- 6 inserts voor het aandraaien van de inschroefdelen

#### Te gebruiken voor:

VEE en VXE kogelkranen en SXE kogel terugslagklep DN10 tot DN 50



KET 01

Le kit Easytorque est utilisé pour un resserrage optimal de tous les composants filetés de l'assortiment Easyfit. Par ce biais, des tensions trop fortes sont limitées et des fuites évitées.

#### Ce kit comprend :

- 1 clé dynamométrique
- 6 inserts pour le resserrage des écrous de serrage
- 6 inserts pour le resserrage des composants à visser

#### A utiliser pour :

Des robinets à bille VEE et VXE et un clapet anti-retour à bille, du DN10 au DN50.

The Easytorque kit is used for optimal tightening of all the threaded components included in Easyfit valves. On this way the mechanical stress on the components will be minimized, and leakages will be prevented.

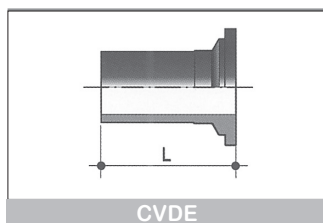
#### The kit included:

- 1 torque wrench
- 6 inserts for union nuts tightening adjustment
- 6 inserts for ball seat & main seal carriers tightening adjustment

#### Suitable for:

VEE and VXE ball valves and SXE ball check valves from DN10 to DN 50

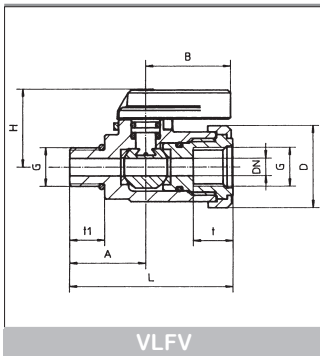
Prijs / prix / price : 229.59 €/st/pc



CVDE

HDPE 100 CONNECTOR VOOR STOMPLAS & ELECTROLAS  
CONNECT. HDPE 100 SOUDAGE BOUT A BOUT OU ELECTROSOUDAGE  
HDPE 100 END CONNECTOR FOR BUTT WELDING OR ELECTROFUSION

d	DN	L	€/ST/PC
20	15	55	3.18
25	20	70	3.24
32	25	74	3.25
40	32	78	5.09
50	40	84	6.03
63	50	91	8.61
75	65	110	24.11
90	80	118	31.33
110	100	130	36.40



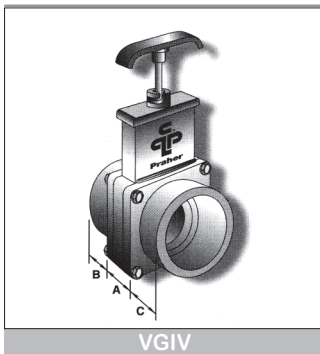
LABO KOGELKRANEN  
VANNES A BILLES DE LABORATOIRE  
LABORATORY BALL VALVES

Binnendraad x buitendraad 1/4".  
Inclusief aansluitset met slangpilaar, dubbele nippel en eindstop.  
Dichtingen : EPDM, FPM.  
Kogelzitting : PTFE.

Filetage intérieur x filetage extérieur 1/4".  
Inclusif set de brachement avec douille, nippel double et bouchon.  
Joints : EPDM, FPM.  
Anneau d'étanchéité : PTFE.

Female thread x male thread 1/4".  
Including connection set with hose nozzle, double nipple and plug.  
Seals : EPDM, FPM.  
Ball seat : PTFE.

DN	G	PN	A	B	D	H	L	M	N	t	t <sup>1</sup>	€/ST/PC	
												EPDM	FPM
6	1/4" BSP	10	26.0	29	28	26.5	56.0	43.0	16.0	13.5	12.0	39.60	41.94
6	1/4" NPT	10	28.5	29	28	26.5	58.5	45.5	18.5	13.5	14.5	39.60	41.94



SCHUIFAFSLUITERS  
VANNE A GUILLOTINE  
GATE VALVES

Vrouwelijke lijmaansluiting / Bouts femelles à coller / Sockets for solvent welding.  
Dichting / joint / gasket : EPDM

D	DN	PN	€/ST/PC
32	40	3.5	30.04
50	40	3.5	45.27
63	50	3.5	36.38
75	65	3.5	148.29
90	80	2.5	245.76
110	100	2.5	408.61