

DRUKBUIS
TUYAU DE PRESSION
PRESSURE PIPE

GLASHELDER
TRANSPARENT
TRANSPARENT

L = 5 m.

Afmetingen en toleranties volgens DIN 8062
Dimensions et tolérances suivant DIN 8062
Dimensions and tolerances according to DIN 8062

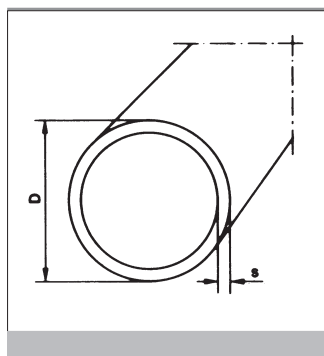
REEKS SERIE SERIES D	2 PN4			3 PN6			4 PN10			5 PN16			6 PN25		
	s	KG/M	€/M	s	KG/M	€/M	s	KG/M	€/M	s	KG/M	€/M	s	KG/M	€/M
8													1.0	0.035	2.46
10													1.2	0.053	2.68
12										1.0	0.055	2.79	1.4	0.073	3.52
16										1.2	0.090	3.58			
20										1.5	0.137	5.20			
25							1.5	0.174	7.00	1.9	0.212	7.55			
32							1.8	0.264	8.17	2.4	0.342	9.67			
40							1.9	0.366	11.64	3.0	0.525	15.77			
50				1.8	0.422	14.41	2.4	0.552	14.75	3.7	0.809	26.28			
63	1.8	0.532	20.57				3.0	0.854	22.93	4.7	1.290	41.66			
75	1.8	0.642	23.70				3.6	1.220	39.25						
90	1.8	0.774	24.60				4.3	1.750	56.55						
110	2.2	1.160	38.58				5.3	2.610	95.01						
125	2.5	1.480	61.74												
140	2.8	1.840	80.14												
160	3.2	2.410	90.20	4.7	3.440	138.80									
200	4.0	3.670	*												
225	4.5	4.670	*												
250	4.9	5.730	*												
280	5.5	7.210	*												

* op aanvraag / sur demande / on request

Speciale reeks - drukloos
Série speciale - sans pression
Special series - no pression

D	s	KG/M
315	4.0	6.300
400	4.0	8.000
500	4.0	9.260

* prijzen op aanvraag / prix sur demande / prices on request



GEEXTRUDEERD
EXTRUDE
EXTRUDED

GLASHELDER
TANSPARENT
TANSPARENT

D 7 - 40 mm : L = 2000 mm

D 44 - 250 mm : L = 2050 mm

Toleranties / tolérances / tolerances:

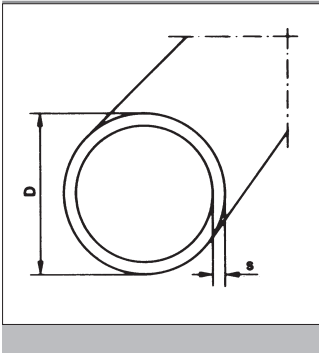
s: 1.50 mm	+/- 0.25 mm
2.00 - 2.50 mm	+/- 0.30 mm
3.00 mm	+/- 0.30 - 0.35 mm
4.00 mm	+/- 0.35 - 0.40 mm
5.00 mm	+/- 0.40 - 0.55 mm

D: 5 - 25 mm	+/- 0.3 mm
30 - 40 mm	+/- 0.5 mm
50 - 70 mm	+/- 0.8 mm
80 - 90 mm	+/- 0.9 mm
100 - 120 mm	+/- 1.2 mm
133 - 139 mm	+/- 1.3 mm
150 - 180 mm	+/- 1.5 mm
200 - mm	+/- 2.0 mm

D	s	d	PN	€/M
7	1.00	5.0	6.0	7.43
8	2.00	4.0	9.0	5.18
10	1.00	8.0	-	3.40
10	1.50	7.0	6.5	3.87
10	2.00	6.0	8.0	4.69
12	1.00	10.0	4.0	3.57
12	2.00	8.0	7.0	4.69
12	3.00	6.0	9.0	5.97
13	1.50	10.0	5.0	4.15
13	2.00	9.0	6.5	5.18
14	2.00	10.0	-	5.58
14	3.00	8.0	-	6.89
15	2.00	11.0	5.5	6.24
15	2.50	10.0	7.0	6.80
15	3.00	9.0	-	7.24
16	2.00	12.0	5.5	6.50
18	2.00	14.0	-	5.77
18	3.00	12.0	-	8.35
20	2.00	16.0	4.5	8.33
20	3.00	14.0	6.5	10.57
22	2.00	18.0	-	8.92
22	3.00	16.0	-	10.99
24	2.00	20.0	-	9.56
24	3.00	18.0	-	11.73
25	2.00	21.0	3.5	9.84
25	3.00	19.0	5.5	12.65
26	2.00	22.0	-	10.08
26	3.00	20.0	-	12.93
28	2.00	24.0	-	10.25
28	3.00	22.0	-	13.41
30	2.00	26.0	3.0	10.57
30	3.00	24.0	-	13.74
30	4.00	22.0	-	16.25
30	5.00	20.0	7.0	20.12
32	2.00	28.0	-	10.76
32	3.00	26.0	-	15.60
32	4.00	24.0	-	19.53
34	2.00	30.0	-	10.98
34	3.00	28.0	-	16.47
36	2.00	32.0	-	11.83
36	3.00	30.0	-	17.26
38	3.00	32.0	3.5	17.60
40	2.00	36.0	2.5	13.23
40	3.00	34.0	3.5	18.34

D	s	d	PN	€/M
40	4.00	32.0	4.5	22.16
40	5.00	30.0	5.5	28.35
44	3.00	38.0	-	24.57
44	4.00	36.0	-	28.51
44	5.00	34.0	-	32.85
45	3.00	39.0	-	24.62
50	2.00	46.0	2.0	19.68
50	3.00	44.0	3.0	25.36
50	4.00	42.0	-	30.92
50	5.00	40.0	4.5	37.17
56	3.00	50.0	-	27.79
56	4.00	48.0	-	36.47
60	2.00	56.0	1.5	25.19
60	3.00	54.0	2.5	29.98
60	4.00	52.0	3.0	37.17
60	5.00	50.0	4.0	49.01
64	2.00	60.0	-	24.62
64	3.00	58.0	-	32.40
64	4.00	56.0	-	40.34
64	5.00	54.0	-	48.81
70	2.00	66.0	-	28.51
70	3.00	64.0	2.0	34.12
70	4.00	62.0	-	43.30
70	5.00	60.0	3.5	51.06
76	3.00	70.0	-	38.40
76	4.00	68.0	-	47.11
76	5.00	66.0	-	52.93
80	2.00	76.0	-	32.38
80	3.00	74.0	2.0	39.24
80	4.00	72.0	2.0	48.81
80	5.00	70.0	2.5	59.32
90	2.00	86.0	-	34.77
90	3.00	84.0	2.0	45.42
90	4.00	82.0	2.0	56.78
90	5.00	80.0	-	69.62
100	2.00	96.0	-	45.20
100	3.00	94.0	2.5	50.54
100	4.00	92.0	1.5	64.53
100	5.00	90.0	2.0	75.89
110	3.00	104.0	2.5	54.70
110	4.00	102.0	-	67.88
110	5.00	100.0	1.5	83.10
120	3.00	114.0	0.5	54.19
120	4.00	112.0	-	70.05

D	s	d	PN	€/M
120	5.00	110.0	1.5	87.64
125	3.00	121.0	-	56.08
125	4.00	117.0	-	73.69
125	5.00	115.0	-	92.99
130	3.00	124.0	-	57.99
130	4.00	122.0	-	77.14
130	5.00	120.0	-	94.69
134	3.00	128.0	-	60.90
134	4.00	126.0	-	78.79
134	5.00	124.0	-	98.06
150	3.00	144.0	0.5	70.58
150	4.00	142.0	-	92.77
150	5.00	140.0	1.5	113.38
160	3.00	154.0	-	72.50
160	4.00	152.0	-	94.82
160	5.00	150.0	-	123.87
170	3.00	164.0	-	77.14
170	4.00	162.0	-	102.42
170	5.00	160.0	-	125.15
180	3.00	174.0	-	85.46
180	4.00	172.0	1.2	111.09
180	5.00	170.0	-	132.89
185	3.00	179.0	-	86.19
185	4.00	177.0	-	109.70
185	5.00	175.0	-	136.51
200	3.00	194.0	-	90.80
200	4.00	192.0	0.5	119.69
200	5.00	190.0	-	148.58
220	3.00	214.0	-	111.09
220	4.00	212.0	-	140.10
220	5.00	210.0	-	173.94
240	3.00	234.0	-	117.19
240	4.00	232.0	-	153.08
240	5.00	230.0	-	181.20
250	3.00	244.0	-	132.69
250	4.00	242.0	-	158.22
250	5.00	240.0	-	198.13
300	4.00	292.0	-	295.37
300	5.00	290.0	-	363.24
300	6.00	288.0	-	441.93



GEESTRUDEERD
EXTRUDE
EXTRUDED

SATIN
SATIN
SATIN

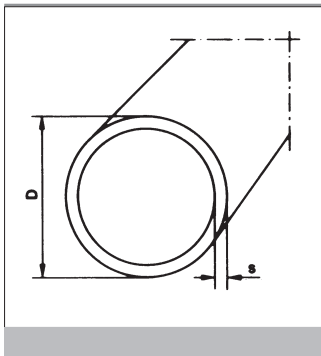
D 20 - 40 mm : L = 2000 mm

D 45 - 250 mm : L = 2050 mm

Toleranties / tolérances / tolerances:
s: 3.00 mm +/- 0.30 - 0.35 mm

D: 20 mm +/- 0.3 mm
30 - 40 mm +/- 0.5 mm
50 - 70 mm +/- 0.8 mm
80 - 90 mm +/- 0.9 mm
100 - 120 mm +/- 1.2 mm
133 - 139 mm +/- 1.3 mm
150 - 180 mm +/- 1.5 mm
200 - mm +/- 2.0 mm

D	s	€/M
20	3.00	13.73
30	3.00	17.86
40	3.00	23.85
45	3.00	32.88
50	3.00	32.95
60	3.00	38.97
64	3.00	42.11
70	3.00	44.33
80	3.00	50.99
90	3.00	59.04
100	3.00	65.72
110	3.00	71.12
120	3.00	70.45
130	3.00	75.36
150	3.00	88.53
170	3.00	96.26
200	3.00	118.01
250	3.00	157.05



CENTRIFUGAAL GEGOTEN
COULE PAR CENTRIFUGATION
CENTRIFUGALLY CAST

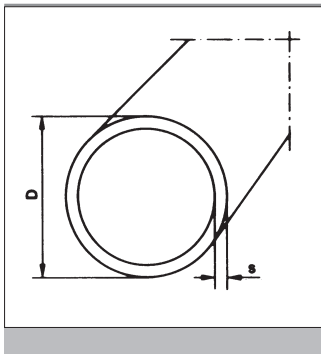
GLASHELDER
TRANSPARENT
TRANSPARENT

D 45 - 300 mm : L = 2030 mm -30/+15 mm
D 350 - 400 mm : L = 2160 mm -30/+15 mm
D 457 mm : L = 2180 mm -30/+15 mm
D 500 mm : L = 2180 mm -30/+0 mm

Toleranties / tolérances / tolerances:

s: 2-3 mm +/- 20% D: 45 - 50 mm +1/-2%
4 mm +/- 15% D: 51 - 100 mm +1/-1.5%
>5 mm +/- 10% D: 102 - 300 mm +0.5/-1%

D	S								
	3	4	5	6	8	10	12	15	20
45	52.26	57.46	62.65	89.51	121.97	146.01	-	-	-
50	51.97	55.78	66.26	104.34	142.95	162.56	-	-	-
51	73.36	78.83	84.26	120.65	151.27	172.83	-	-	-
58	78.82	84.03	96.12	112.23	158.88	180.94	185.66	-	-
60	59.00	63.40	71.82	111.82	151.35	173.68	192.03	-	-
64	62.17	68.55	75.22	112.87	165.11	185.50	235.65	-	-
70	65.67	69.06	82.79	115.33	174.71	193.99	255.82	-	-
76	75.82	79.08	83.90	119.20	186.22	212.55	269.27	-	-
80	76.34	79.63	88.62	128.24	194.53	222.13	283.47	325.53	-
90	78.77	85.07	124.92	150.60	222.13	252.39	318.89	360.83	-
100	82.67	87.95	98.75	153.10	226.91	265.75	323.28	407.32	-
102	108.17	119.38	130.38	178.67	251.86	300.58	352.04	445.61	-
110	88.87	99.26	107.23	164.36	240.50	291.57	374.04	452.61	-
115	91.59	105.32	110.60	174.09	256.72	300.90	376.14	470.04	-
120	99.57	108.32	114.56	185.98	270.05	310.18	414.30	486.73	737.97
125	108.13	112.36	135.09	199.05	278.62	326.50	425.48	536.16	768.78
127	137.28	152.79	158.41	219.72	310.27	353.98	441.54	580.89	772.15
130	129.04	142.80	147.93	218.64	308.31	348.88	455.51	599.18	784.61
134	115.61	127.19	135.09	216.10	290.30	340.31	479.64	558.61	785.54
139	118.25	128.37	140.75	220.76	300.17	366.42	502.94	571.72	814.82
150	125.72	135.26	150.71	237.76	322.00	385.51	506.09	584.88	879.31
153	162.93	181.20	203.84	275.74	353.09	435.02	505.22	649.97	1067.43
160	147.39	161.72	168.72	266.03	346.16	414.09	590.48	638.31	1116.24
164	152.24	163.17	172.70	266.56	368.46	431.89	622.06	657.00	1144.16
168	220.61	235.69	242.29	294.50	412.63	498.21	595.80	734.36	1172.06
172	213.36	228.23	257.81	304.27	422.35	512.59	619.37	750.45	1199.95
185	173.48	184.76	187.63	326.50	414.15	495.93	700.50	818.98	1224.95
200	178.72	187.82	201.59	356.79	439.94	528.74	751.02	891.14	1249.93
212	258.14	279.99	302.23	406.15	496.78	624.00	745.52	1006.65	1261.97
220	192.05	212.63	228.42	401.53	493.58	628.07	891.09	1016.58	1274.00
230	197.55	221.40	234.69	398.85	491.65	639.48	866.13	1040.70	1421.08
240	197.93	233.80	246.47	404.81	531.89	711.16	909.00	1083.79	1542.87
250	219.94	239.18	264.16	421.90	575.63	692.67	981.79	1105.33	1544.66
270	-	267.66	301.55	456.29	589.55	730.42	990.14	1276.76	1668.22
300	-	314.28	342.01	470.39	685.90	768.01	1235.71	1311.20	1928.65
350	-	335.08	400.82	573.24	711.33	868.92	1153.42	1525.50	2252.46
400	-	368.71	456.70	636.93	827.27	1024.01	1200.24	1615.03	2574.27
457	-	635.30	738.00	874.42	1014.03	1323.92	1525.92	1907.41	2761.59
500	-	-	647.15	925.42	1175.42	1414.57	1842.60	2222.53	3217.79



GEEXTRUDEERD
EXTRUDE
EXTRUDED

TRANSPARANT
TRANSPARENT
TRANSPARENT

D 10 - 40 mm : L = 2000 mm
D 45 - 250 mm : L = 2050 mm

D	s	€/M	D	s	€/M
10	1.5	4.37	80	2.0	24.01
12	1.0	3.61	80	2.5	28.48
12	1.5	4.99	80	3.0	33.03
13	2.0	4.99	90	2.0	26.16
15	2.0	4.83	90	2.5	31.51
15	2.5	5.53	90	3.0	37.43
16	2.0	5.12	100	2.0	28.73
16	3.0	9.43	100	2.5	34.78
18	2.0	5.62	100	3.0	41.83
20	2.0	6.18	110	2.0	32.32
20	3.0	8.52	110	2.5	38.85
24	2.0	8.52	110	3.0	45.75
25	1.5	5.62	120	3.0	46.28
25	2.0	7.48	120	4.0	61.26
30	1.0	6.10	120	5.0	75.80
30	1.5	7.49	130	3.0	50.80
30	2.0	8.80	130	4.0	66.22
30	2.5	10.79	130	5.0	82.16
30	3.0	12.64	134	3.0	86.20
32	3.0	13.69	134	4.0	69.05
36	3.0	15.21	134	5.0	52.28
38	1.5	8.36	150	3.0	57.99
38	2.0	11.17	150	4.0	76.65
40	1.0	6.76	150	5.0	96.18
40	1.5	8.68	180	3.0	70.13
40	2.0	10.46	180	4.0	91.68
40	3.0	15.34	180	5.0	113.72
45	1.5	10.88	200	3.0	79.09
50	1.5	12.13	200	4.0	101.83
50	2.0	15.21	200	5.0	126.73
50	2.5	18.02	250	3.0	97.81
50	3.0	21.28	250	4.0	127.77
60	2.0	16.97	250	5.0	162.19
60	2.5	20.52			
60	3.0	24.23			
70	2.0	21.29			
70	2.5	25.34			
70	3.0	29.72			
75	3.0	29.70			

