

DRUKBUIS
TUYAU DE PRESSION
PRESSURE PIPE

GLASHELDER
TRANSPARENT
TRANSPARENT

L = 5 m.

Afmetingen en toleranties volgens DIN 8062
Dimensions et tolérances suivant DIN 8062
Dimensions and tolerances according to DIN 8062

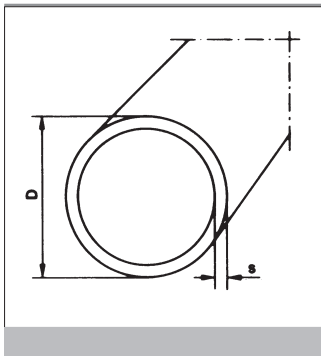
REEKS SERIE SERIES D	2 PN4			3 PN6			4 PN10			5 PN16			6 PN25		
	s	KG/M	€/M	s	KG/M	€/M	s	KG/M	€/M	s	KG/M	€/M	s	KG/M	€/M
8													1.0	0.035	2.93
10													1.2	0.053	3.22
12										1.0	0.055	3.39	1.4	0.073	4.33
16										1.2	0.090	4.33			
20										1.5	0.137	6.26			
25							1.5	0.174	7.96	1.9	0.212	8.19			
32							1.8	0.264	8.89	2.4	0.342	10.82			
40							2.0	0.366	12.99	3.0	0.525	17.26			
50				1.8	0.422	15.27	2.4	0.552	16.15	3.7	0.809	29.13			
63	1.8	0.532	22.87				3.0	0.854	24.75	4.7	1.290	45.10			
75	1.8	0.642	26.09				3.6	1.220	43.47						
90	1.8	0.774	27.14				4.3	1.750	62.07						
110	2.2	1.160	36.80				5.3	2.610	90.68						
125	2.5	1.480	68.15												
140	2.8	1.840	88.63												
160	3.2	2.410	99.80	4.7	3.440	150.99									
200	3.9	3.670	*												
225	4.5	4.670	*												
250	4.9	5.730	*												
280	5.5	7.210	*												

* op aanvraag / sur demande / on request

Speciale reeks - drukloos
Série speciale - sans pression
Special series - no pression

D	s	KG/M
315	4.0	6.300
400	4.0	8.000
500	4.0	9.260

* prijzen op aanvraag / prix sur demande / prices on request



GEEXTRUDEERD
EXTRUDE
EXTRUDED

GLASHELDER
TANSPARENT
TANSPARENT

D 7 - 40 mm : L = 2000 mm

D 44 - 250 mm : L = 2050 mm

Toleranties / tolérances / tolerances:

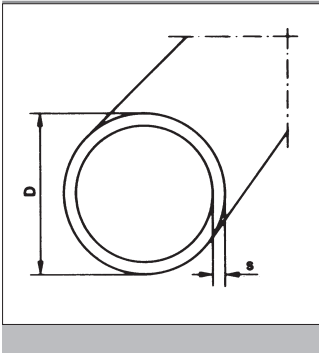
s: 1.50 mm +/- 0.25 mm
2.00 - 2.50 mm +/- 0.30 mm
3.00 mm +/- 0.30 - 0.35 mm
4.00 mm +/- 0.35 - 0.40 mm
5.00 mm +/- 0.40 - 0.55 mm

D: 5 - 25 mm +/- 0.3 mm
30 - 40 mm +/- 0.5 mm
50 - 70 mm +/- 0.8 mm
80 - 90 mm +/- 0.9 mm
100 - 120 mm +/- 1.2 mm
133 - 139 mm +/- 1.3 mm
150 - 180 mm +/- 1.5 mm
200 - mm +/- 2.0 mm

D	s	d	PN	€/M
7	1.00	5.0	6.0	7.43
8	2.00	4.0	9.0	5.18
10	1.00	8.0	-	3.40
10	1.50	7.0	6.5	3.87
10	2.00	6.0	8.0	4.69
12	1.00	10.0	4.0	3.57
12	2.00	8.0	7.0	4.69
12	3.00	6.0	9.0	5.97
13	1.50	10.0	5.0	4.15
13	2.00	9.0	6.5	5.18
14	2.00	10.0	-	5.58
14	3.00	8.0	-	6.89
15	2.00	11.0	5.5	6.24
15	2.50	10.0	7.0	6.80
15	3.00	9.0	-	7.24
16	2.00	12.0	5.5	6.50
18	2.00	14.0	-	5.77
18	3.00	12.0	-	8.35
20	2.00	16.0	4.5	8.33
20	3.00	14.0	6.5	10.57
22	2.00	18.0	-	8.92
22	3.00	16.0	-	10.99
24	2.00	20.0	-	9.56
24	3.00	18.0	-	11.73
25	2.00	21.0	3.5	9.84
25	3.00	19.0	5.5	12.65
26	2.00	22.0	-	10.08
26	3.00	20.0	-	12.93
28	2.00	24.0	-	10.25
28	3.00	22.0	-	13.41
30	2.00	26.0	3.0	10.57
30	3.00	24.0	-	13.74
30	4.00	22.0	-	16.25
30	5.00	20.0	7.0	20.12
32	2.00	28.0	-	10.76
32	3.00	26.0	-	15.60
32	4.00	24.0	-	19.53
34	2.00	30.0	-	10.98
34	3.00	28.0	-	16.47
36	2.00	32.0	-	11.83
36	3.00	30.0	-	17.26
38	3.00	32.0	3.5	17.60
40	2.00	36.0	2.5	13.23
40	3.00	34.0	3.5	18.34

D	s	d	PN	€/M
40	4.00	32.0	4.5	22.16
40	5.00	30.0	5.5	28.35
44	3.00	38.0	-	24.57
44	4.00	36.0	-	28.51
44	5.00	34.0	-	32.85
45	3.00	39.0	-	24.62
50	2.00	46.0	2.0	19.68
50	3.00	44.0	3.0	25.36
50	4.00	42.0	-	30.92
50	5.00	40.0	4.5	37.17
56	3.00	50.0	-	27.79
56	4.00	48.0	-	36.47
60	2.00	56.0	1.5	25.19
60	3.00	54.0	2.5	29.98
60	4.00	52.0	3.0	37.17
60	5.00	50.0	4.0	49.01
64	2.00	60.0	-	24.62
64	3.00	58.0	-	32.40
64	4.00	56.0	-	40.34
64	5.00	54.0	-	48.81
70	2.00	66.0	-	28.51
70	3.00	64.0	2.0	34.12
70	4.00	62.0	-	43.30
70	5.00	60.0	3.5	51.06
76	3.00	70.0	-	38.40
76	4.00	68.0	-	47.11
76	5.00	66.0	-	52.93
80	2.00	76.0	-	32.38
80	3.00	74.0	2.0	39.24
80	4.00	72.0	2.0	48.81
80	5.00	70.0	2.5	59.32
90	2.00	86.0	-	34.77
90	3.00	84.0	2.0	45.42
90	4.00	82.0	2.0	56.78
90	5.00	80.0	-	69.62
100	2.00	96.0	-	45.20
100	3.00	94.0	2.5	50.54
100	4.00	92.0	1.5	64.53
100	5.00	90.0	2.0	75.89
110	3.00	104.0	2.5	54.70
110	4.00	102.0	-	67.88
110	5.00	100.0	1.5	83.10
120	3.00	114.0	0.5	54.19
120	4.00	112.0	-	70.05

D	s	d	PN	€/M
120	5.00	110.0	1.5	87.64
125	3.00	121.0	-	56.08
125	4.00	117.0	-	73.69
125	5.00	115.0	-	92.99
130	3.00	124.0	-	57.99
130	4.00	122.0	-	77.14
130	5.00	120.0	-	94.69
134	3.00	128.0	-	60.90
134	4.00	126.0	-	78.79
134	5.00	124.0	-	98.06
150	3.00	144.0	0.5	70.58
150	4.00	142.0	-	92.77
150	5.00	140.0	1.5	113.38
160	3.00	154.0	-	72.50
160	4.00	152.0	-	94.82
160	5.00	150.0	-	123.87
170	3.00	164.0	-	77.14
170	4.00	162.0	-	102.42
170	5.00	160.0	-	125.15
180	3.00	174.0	-	85.46
180	4.00	172.0	1.2	111.09
180	5.00	170.0	-	132.89
185	3.00	179.0	-	86.19
185	4.00	177.0	-	109.70
185	5.00	175.0	-	136.51
200	3.00	194.0	-	90.80
200	4.00	192.0	0.5	119.69
200	5.00	190.0	-	148.58
220	3.00	214.0	-	111.09
220	4.00	212.0	-	140.10
220	5.00	210.0	-	173.94
240	3.00	234.0	-	117.19
240	4.00	232.0	-	153.08
240	5.00	230.0	-	181.20
250	3.00	244.0	-	132.69
250	4.00	242.0	-	158.22
250	5.00	240.0	-	198.13
300	4.00	292.0	-	295.37
300	5.00	290.0	-	363.24
300	6.00	288.0	-	441.93



GEESTRUDEERD
EXTRUDE
EXTRUDED0

SATIN
SATIN
SATIN

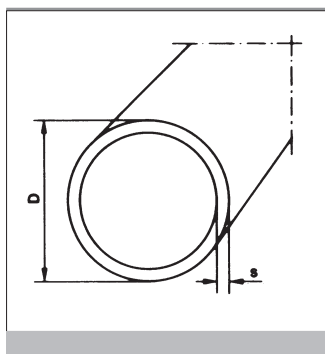
D 20 - 40 mm : L = 2000 mm

D 45 - 250 mm : L = 2050 mm

Toleranties / tolérances / tolerances:
s: 3.00 mm +/- 0.30 - 0.35 mm

D: 20 mm +/- 0.3 mm
30 - 40 mm +/- 0.5 mm
50 - 70 mm +/- 0.8 mm
80 - 90 mm +/- 0.9 mm
100 - 120 mm +/- 1.2 mm
133 - 139 mm +/- 1.3 mm
150 - 180 mm +/- 1.5 mm
200 - mm +/- 2.0 mm

D	s	€/M
20	3.00	13.73
30	3.00	17.86
40	3.00	23.85
45	3.00	32.88
50	3.00	32.95
60	3.00	38.97
64	3.00	42.11
70	3.00	44.33
80	3.00	50.99
90	3.00	59.04
100	3.00	65.72
110	3.00	71.12
120	3.00	70.45
130	3.00	75.36
150	3.00	88.53
170	3.00	96.26
200	3.00	118.01
250	3.00	157.05



CENTRIFUGAAL GEGOTEN
COULE PAR CENTRIFUGATION
CENTRIFUGALLY CAST

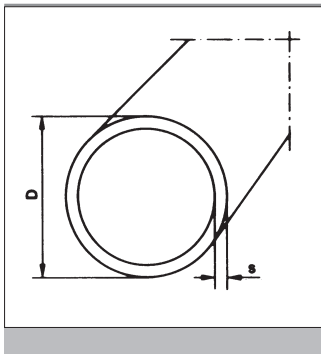
GLASHELDER
TRANSPARENT
TRANSPARENT

D 45 - 300 mm : L = 2030 mm -30/+15 mm
D 350 - 400 mm : L = 2160 mm -30/+15 mm
D 457 mm : L = 2180 mm -30/+15 mm
D 500 mm : L = 2180 mm -30/+0 mm

Toleranties / tolérances / tolerances:

s: 2-3 mm +/- 20% D: 45 - 50 mm +1/-2%
4 mm +/- 15% D: 51 - 100 mm +1/-1.5%
>5 mm +/- 10% D: 102 - 300 mm +0.5/-1%

D	S								
	3	4	5	6	8	10	12	15	20
45	56.44	62.06	67.66	96.67	131.73	157.69	-	-	-
50	56.13	60.24	71.56	112.69	154.39	175.56	-	-	-
51	79.23	85.14	91.00	130.30	163.37	186.66	-	-	-
58	85.13	90.75	103.81	121.21	171.59	195.42	200.51	-	-
60	63.72	68.47	77.57	120.77	163.46	187.57	207.39	-	-
64	67.14	74.03	81.24	121.90	178.32	200.34	254.50	-	-
70	70.92	74.58	89.41	124.56	188.69	209.51	276.29	-	-
76	81.89	85.41	90.61	128.74	201.12	229.55	290.81	-	-
80	82.45	86.00	95.71	138.50	210.09	239.90	306.15	351.57	-
90	85.07	91.88	134.91	162.65	239.90	272.58	344.40	389.70	-
100	89.28	94.99	106.65	165.35	245.06	287.01	349.14	439.91	-
102	116.82	128.93	140.81	192.96	272.01	324.63	380.20	481.26	-
110	95.98	107.20	115.81	177.51	259.74	314.90	403.96	488.82	-
115	98.92	113.75	119.45	188.02	277.26	324.97	406.23	507.64	-
120	107.54	116.99	123.72	200.86	291.65	334.99	447.44	525.67	797.01
125	116.78	121.35	145.90	214.97	300.91	352.62	459.52	579.05	830.28
127	148.26	165.01	171.08	237.30	335.09	382.30	476.86	627.36	833.92
130	139.36	154.22	159.76	236.13	332.97	376.79	491.95	647.11	847.38
134	124.86	137.37	145.90	233.39	313.52	367.53	518.01	603.30	848.38
139	127.71	138.64	152.01	238.42	324.18	395.73	543.18	617.46	880.01
150	135.78	146.08	162.77	256.78	347.76	416.35	546.58	631.67	949.65
153	175.96	195.70	220.15	297.80	381.34	469.82	545.64	701.97	1152.82
160	159.18	174.66	182.22	287.31	373.85	447.22	637.72	689.37	1205.54
164	164.42	176.22	186.52	287.88	397.94	466.44	671.82	709.56	1235.69
168	238.26	254.55	261.67	318.06	445.64	538.07	643.46	793.11	1265.82
172	230.43	246.49	278.43	328.61	456.14	553.60	668.92	810.49	1295.95
185	187.36	199.54	202.64	352.62	447.28	535.60	756.54	884.50	1322.95
200	193.02	202.85	217.72	385.33	475.14	571.04	811.10	962.43	1349.92
212	278.79	302.39	326.41	438.64	536.52	673.92	805.16	1087.18	1362.93
220	207.41	229.64	246.69	433.65	533.07	678.32	962.38	1097.91	1375.92
230	213.35	239.11	253.47	430.76	530.98	690.64	935.42	1123.96	1534.77
240	213.76	252.50	266.19	437.19	574.44	768.05	981.72	1170.49	1666.30
250	237.54	258.31	285.29	455.65	621.68	748.08	1060.33	1193.76	1668.23
270	-	289.07	325.67	492.79	636.71	788.85	1069.35	1378.90	1801.68
300	-	339.42	369.37	508.02	740.77	829.45	1334.57	1416.10	2082.94
350	-	361.89	432.89	619.10	768.24	938.43	1245.69	1647.54	2432.66
400	-	398.21	493.24	687.88	893.45	1105.93	1296.26	1744.23	2780.21
457	-	686.12	797.04	944.37	1095.15	1429.83	1647.99	2060.00	2982.52
500	-	-	698.92	999.45	1269.45	1527.74	1990.01	2400.33	3475.21



GEESTRUDEERD
EXTRUDE
EXTRUDED

TRANSPARANT
TRANSPARENT
TRANSPARENT

D 10 - 40 mm : L = 2000 mm
D 45 - 250 mm : L = 2050 mm

D	s	€/M	D	s	€/M
10	1.5	4.37	80	2.0	24.01
12	1.0	3.61	80	2.5	28.48
12	1.5	4.99	80	3.0	33.03
13	2.0	4.99	90	2.0	26.16
15	2.0	4.83	90	2.5	31.51
15	2.5	5.53	90	3.0	37.43
16	2.0	5.12	100	2.0	28.73
16	3.0	9.43	100	2.5	34.78
18	2.0	5.62	100	3.0	41.83
20	2.0	6.18	110	2.0	32.32
20	3.0	8.52	110	2.5	38.85
24	2.0	8.52	110	3.0	45.75
25	1.5	5.62	120	3.0	46.28
25	2.0	7.48	120	4.0	61.26
30	1.0	6.10	120	5.0	75.80
30	1.5	7.49	130	3.0	50.80
30	2.0	8.80	130	4.0	66.22
30	2.5	10.79	130	5.0	82.16
30	3.0	12.64	134	3.0	86.20
32	3.0	13.69	134	4.0	69.05
36	3.0	15.21	134	5.0	52.28
38	1.5	8.36	150	3.0	57.99
38	2.0	11.17	150	4.0	76.65
40	1.0	6.76	150	5.0	96.18
40	1.5	8.68	180	3.0	70.13
40	2.0	10.46	180	4.0	91.68
40	3.0	15.34	180	5.0	113.72
45	1.5	10.88	200	3.0	79.09
50	1.5	12.13	200	4.0	101.83
50	2.0	15.21	200	5.0	126.73
50	2.5	18.02	250	3.0	97.81
50	3.0	21.28	250	4.0	127.77
60	2.0	16.97	250	5.0	162.19
60	2.5	20.52			
60	3.0	24.23			
70	2.0	21.29			
70	2.5	25.34			
70	3.0	29.72			
75	3.0	29.70			

