

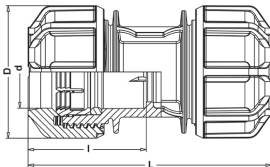


3G ZBP

RECHTE KOPPELINGEN MAGNUM 3G
RACCORDS DROITS MAGNUM 3G
STRAIGHT COUPLINGS MAGNUM 3G

PN 16 - 20°C

d	D	L	I	€/ST/PC
16	39.5	75.0	36.2	5.17
20	46.5	89.0	43.4	5.39
25	55.0	94.0	45.7	6.44
32	67.0	117.6	57.5	8.33
40	82.0	139.0	67.0	13.57
50	94.0	160.6	79.0	18.57
63	109.0	187.0	90.5	25.57
*75	135.0	298.0	147.0	51.42
*90	158.0	359.0	177.0	76.94
*110	191.0	425.5	210.0	121.61



* zijn niet conform met de tekening.
* ne sont pas conformes au dessin.
* are not compliant with the drawing.

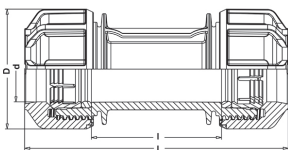


3G ZRP

REPARATIE KOPPELINGEN MAGNUM 3G
RACCORD DE RÉPARATION MAGNUM 3G
SLIP REPAIR COUPLING MAGNUM 3G

PN 16 - 20°C

d	D	L	I	€/ST/PC
20	46.5	103.5	45.6	8.33
25	55.0	121.0	51.3	10.21
32	67.0	153.6	71.4	13.72
40	82.0	188.5	97.0	22.09
50	94.0	205.0	100.2	27.38
63	109.0	221.0	106.0	35.04





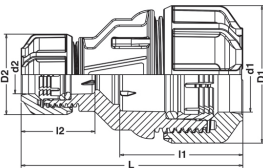
3G ZBRP

VERLOOPKOPPELINGEN MAGNUM 3G
REDUCTIONS MAGNUM 3G
REDUCING COUPLINGS MAGNUM 3G

PN 16 - 20°C

d1 x d2	D1	D2	L	I1	I2	€/ST/PC
20 x 16	46.5	39.5	83.0	46	38	6.52
25 x 16	55.0	39.5	87.0	51	38	6.52
25 x 20	55.0	46.5	94.0	51	46	6.52
32 x 20	67.0	46.5	110.0	60	46	7.71
32 x 25	67.0	55.0	108.0	60	51	7.71
40 x 25	82.0	55.0	125.0	71	51	13.21
40 x 32	82.0	67.0	128.0	71	60	13.21
50 x 25	94.0	55.0	141.0	83	51	17.12
50 x 32	94.0	67.0	150.0	83	60	17.12
50 x 40	94.0	82.0	149.0	83	71	17.12
63 x 32	109.0	67.0	167.0	93	60	24.26
63 x 40	109.0	82.0	173.0	93	71	24.26
63 x 50	109.0	94.0	174.0	93	83	24.26
* 75 x 63	135.0	113.0	275.0	147	124	46.38
* 90 x 75	158.0	135.0	329.0	177	147	62.56
*110 x 90	191.0	158.0	392.5	210	177	91.49

* zijn niet conform met de tekening.
* ne sont pas conformes au dessin.
* are not compliant with the drawing.

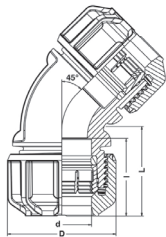


3G ZHP

KNIEEN 45° MAGNUM 3G
COUDES 45° MAGNUM 3G
ELBOWS 45° MAGNUM 3G

PN 16 - 20°C

d	D	L	I	€/ST/PC
32	67	53	52	10.21
40	82	67	66	17.85
50	94	81	71	25.06
63	109	97	82	32.98

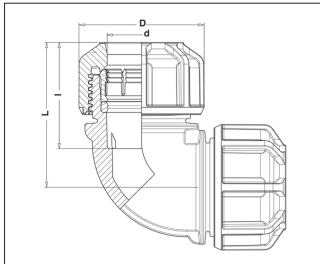




KNIEEN 90° MAGNUM 3G
COUDES 90° MAGNUM 3G
ELBOWS 90° MAGNUM 3G

PN 16 - 20°C

d	D	L	I	€/ST/PC
16	39.5	51.0	38.5	4.71
20	46.5	57.0	44.5	5.39
25	55.0	66.5	49.5	6.59
32	67.0	77.0	58.0	8.18
40	82.0	91.0	71.0	14.34
50	94.0	102.5	76.0	20.02
63	109.0	119.5	88.5	24.26
* 75	135.0	191.0	147.0	53.34
* 90	158.0	227.0	177.0	75.53
*110	191.0	270.5	210.0	112.86



* zijn niet conform met de tekening.
* ne sont pas conformes au dessin.
* are not compliant with the drawing.

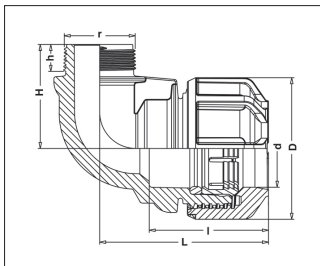


OVERGANGSKNIEEN 90° MAGNUM 3G
COUDES D'ADAPTATION A 90° MAGNUM 3G
ADAPTOR ELBOWS 90° MAGNUM 3G

Eén zijde uitwendige BS schroefdraad.
Un côté filetage mâle BS.
One end male BS threaded.

PN 16 - 20°C

d x R	D	L	I	H	h	€/ST/PC
16 x 1/2"	39.5	50.8	38.0	37.3	16.8	3.45
20 x 1/2"	46.5	58.7	43.9	38.8	16.8	3.58
20 x 3/4"	46.5	58.7	43.9	62.8	16.8	3.58
25 x 1/2"	55.0	64.7	49.7	43.4	16.8	4.30
25 x 3/4"	55.0	65.6	49.7	43.4	16.8	4.30
25 x 1"	55.0	67.8	49.0	50.1	19.4	4.30
32 x 3/4"	67.0	80.2	57.9	48.9	16.6	5.68
32 x 1"	67.0	80.2	58.4	51.4	18.4	5.68
32 x 1 1/4"	67.0	82.0	58.7	54.7	20.5	5.68
40 x 1"	82.0	95.8	67.6	58.6	18.4	9.05
40 x 1 1/4"	82.0	96.4	68.6	60.9	20.7	9.05
50 x 1 1/4"	94.0	111.2	79.2	68.0	21.0	12.27
50 x 1 1/2"	94.0	112.0	79.2	68.0	21.0	12.27
63 x 2"	109.0	129.5	88.8	79.5	24.5	17.32



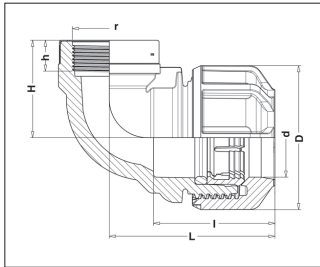


3G ZGFP

OVERGANGSKNIEEN 90° MAGNUM 3G
COUDES D'ADAPTATION A 90° MAGNUM 3G
ADAPTOR ELBOWS 90° MAGNUM 3G

Eén zijde inwendige BS schroefdraad.
Un côté filetage femelle BS.
One end interior BS thread.

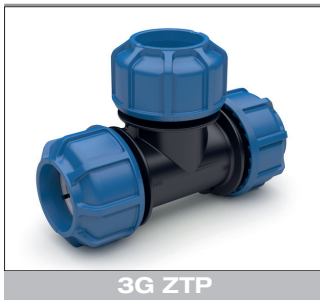
PN 16 - 20°C



d x R	D	L	I	H	h	€/ST/PC
16 x 1/2"	39.5	51.0	38.0	67.0	22.8	3.91
20 x 1/2"	46.5	58.8	40.6	32.8	17.7	4.06
20 x 3/4"	46.5	58.8	40.6	34.5	18.4	4.06
25 x 1/2"	55.0	70.4	50.5	34.9	17.6	5.07
25 x 3/4"	55.0	70.4	50.5	36.8	17.6	5.07
25 x 1"	55.0	70.4	50.5	42.3	21.0	5.07
32 x 3/4"	67.0	82.6	58.0	41.7	17.7	5.97
32 x 1"	67.0	81.8	58.0	44.1	20.9	5.97
** 32 x 1 1/4"	67.0	82.8	58.0	48.7	23.6	5.97
40 x 1"	82.0	98.1	70.2	49.8	21.0	11.73
** 40 x 1 1/4"	82.0	97.4	70.2	52.1	23.3	11.73
** 50 x 1 1/4"	94.0	106.7	78.5	61.5	23.3	15.60
** 50 x 1 1/2"	94.0	107.6	78.5	61.5	23.3	15.60
** 50 x 2"	94.0	106.0	83.0	142.0	34.5	15.60
** 63 x 2"	109.0	119.8	85.4	77.5	28.0	21.40
** 75 x 2"	135.0	191.0	147.0	99.0	32.5	36.85
** 75 x 2 1/2"	135.0	191.0	147.0	99.0	32.5	36.85
** 75 x 3"	135.0	191.0	147.0	129.0	36.5	36.85
** 90 x 3"	158.0	158.0	177.0	123.0	36.5	56.19
** 110 x 4"	191.0	191.0	210.0	144.0	43.5	85.84

D 75 - 110: zijn niet conform met de tekening.
D 75 - 110: ne sont pas conformes au dessin.
D 75 - 110: are not compliant with the drawing.

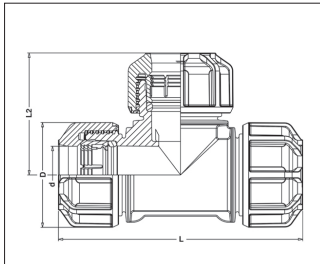
** met versterkingsring in RVS
** avec renforcement en acier inox.
** with stainless steel reinforcing ring



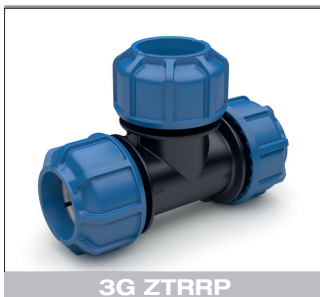
T-STUKKEN 90° MAGNUM 3G
TES A 90° MAGNUM 3G
TEES 90° MAGNUM 3G

PN 16 - 20°C

d	D	L	L2	I	€/ST/PC
16	39.5	102.0	51.0	36.0	5.94
20	46.5	117.5	58.3	44.0	7.10
25	55.0	130.7	63.8	48.2	9.34
32	67.0	154.3	78.4	57.4	12.13
40	82.0	184.5	93.1	65.3	19.92
50	84.0	210.0	104.0	75.0	27.00
63	109.0	242.0	115.0	82.7	38.49
* 75	135.0	382.0	188.0	147.0	71.21
* 90	158.0	454.0	226.0	177.0	112.64
*110	191.0	541.0	276.0	210.0	163.40



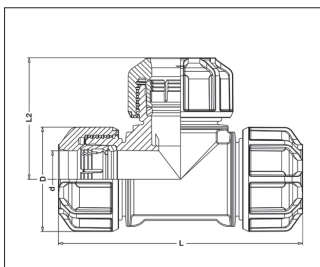
* zijn niet conform met de tekening.
* ne sont pas conformes au dessin.
* are not compliant with the drawing.



OVERSCHUIF T-STUKKEN MAGNUM 3G
RACCORD TE GLISSANT MAGNUM 3G
SLIP TEE MAGNUM 3G

PN 16 - 20°C

d	D	L	L2	€/ST/PC
20	46.5	117	59	10.79
25	55.0	134	67	14.88
32	67.0	160	80	18.61
40	82.0	182	95	30.71
50	84.0	202	101	41.71
63	109.0	236	118	59.06

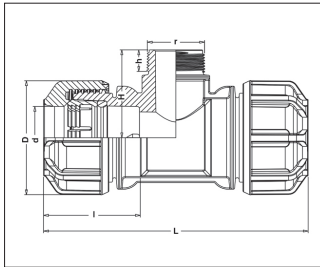




OVERGANGS T-STUKKEN 90° BUITENDRAAD MAGNUM 3G
TES D'ADAPTATION A 90° TARAUDÉ MÂLE MAGNUM 3G
ADAPTOR TEES 90° MALE THREADED MAGNUM 3G

PN 16 - 20°C

d x R	D	L	I	H	h	€/ST/PC
25 x 1/2"	55	114.0	39.5	53.0	19.8	7.78
25 x 3/4"	55	114.0	39.5	54.0	21.1	7.78
32 x 1"	67	158.5	60.0	54.4	18.6	9.78
40 x 1 1/4"	82	191.0	68.0	63.4	19.5	17.12
50 x 1 1/2"	94	218.0	79.0	72.0	19.5	24.26
63 x 2"	109	245.0	85.0	86.5	21.9	47.07



OVERGANGS T-STUKKEN 90° MET BINNENDRAAD MAGNUM 3G
TES D'ADAPTATION A 90° TARAUDÉ FEMELLE MAGNUM 3G
ADAPTOR TEES 90° FEMALE THREADED MAGNUM 3G

PN 16 - 20°C

d x R	D	L	I	H	h	€/ST/PC
16 x 1/2"	39.5	102	36.0	33.0	22.8	5.14
20 x 1/2"	46.5	120	44.8	31.8	17.4	5.58
20 x 3/4"	46.5	120	44.8	34.8	17.6	5.58
25 x 1/2"	55.0	134	50.6	37.5	17.5	7.53
25 x 3/4"	55.0	134	50.6	37.5	17.7	7.53
25 x 1"	55.0	134	50.6	43.0	20.7	7.53
32 x 3/4"	67.0	162	60.0	43.3	17.5	9.34
32 x 1"	67.0	162	60.0	46.9	20.9	9.34
** 32 x 1 1/4"	67.0	162	60.0	49.9	23.0	9.34
40 x 1"	82.0	192	68.3	53.0	21.0	17.12
** 40 x 1 1/4"	82.0	192	68.3	53.0	23.5	17.12
** 50 x 1 1/4"	94.0	218	79.0	60.5	23.6	22.77
** 50 x 1 1/2"	94.0	218	79.0	62.5	23.6	22.77
** 63 x 2"	109.0	241	84.8	76.5	27.6	32.82
** 75 x 2"	135.0	382	147.0	76.5	32.5	66.40
** 75 x 2 1/2"	135.0	382	147.0	76.0	32.5	66.40
** 75 x 3"	135.0	382	147.0	92.5	36.5	66.40
** 90 x 3"	158.0	454	177.0	86.5	36.5	87.65
**110 x 4"	191.0	541	210.0	101.5	43.5	129.65

D 75 - 110: zijn niet conform met de tekening.
D 75 - 110: ne sont pas conformes au dessin.
D 75 - 110: are not compliant with the drawing.

** met versterkingsring in RVS
** avec renforcement en acier inox.
** with stainless steel reinforcing ring

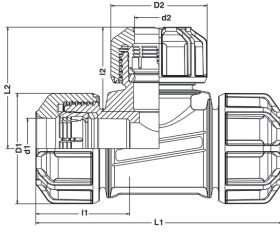


3G ZTRP

VERLOOP T-STUKKEN 90° MAGNUM 3G
TES REDUITS A 90° MAGNUM 3G
REDUCING TEES 90° MAGNUM 3G

PN 16 - 20°C

d1 x d2	D1	L1	I1	D2	L2	I2	€/ST/PC
25 x 20	55	134	50	47	64	45.5	9.20
25 x 32	55	134	50	67	69	62.0	9.20
32 x 25	67	160	60	55	74	51.0	11.73
40 x 25	81	166	71	55	74	51.0	19.92
40 x 32	81	171	71	67	84	60.0	19.92
50 x 25	94	182	79	55	81	51.0	27.00
50 x 32	94	187	79	67	90	63.0	27.00
50 x 40	94	197	79	81	98	71.0	27.00
63 x 25	110	196	88	55	88	51.0	35.70
63 x 32	110	201	88	67	98	59.0	35.70
63 x 50	110	220	88	94	111	79.0	35.70

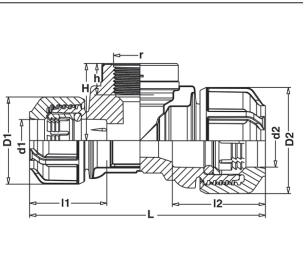


3G ZTFP

OVERGANGS T-STUKKEN 90° MET BINNENDRAAD REDUCEREND
TES D'ADAPTATION REDUITS A 90° TARAUDÉ FEMELLE MAGNUM 3G
REDUCING TEES 90° FEMALE THREADED MAGNUM 3G

PN 16 - 20°C

d1 x R x d2	D1	d2	L	I1	I2	H	h	€/ST/PC
25 x 1" x 32	55	67	152	50.3	60	48	20.2	9.34

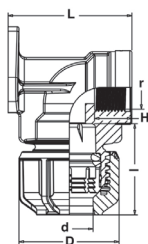


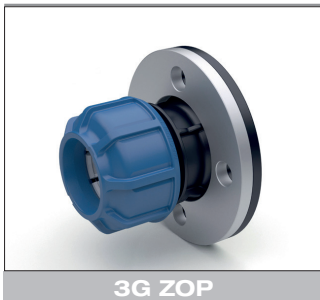
3G ZWFP

KNIEEN 90° MET MUURPLAAT MAGNUM 3G
COUDES 90° AVEC CULASSE MURALE MAGNUM 3G
WALL PLATE ELBOW 90° MAGNUM 3G

PN 16 - 20°C

d x R	D	L	I	h	€/ST/PC
20 x 1/2"	46.5	56	44.5	20.8	14.77
25 x 3/4"	55.0	65	51.2	20.8	16.44



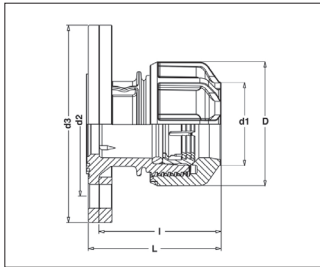


FLENSOEVERGANGEN MAGNUM 3G
BRIDES D'ADAPTATION MAGNUM 3G
ADAPTOR FLANGES MAGNUM 3G

PN 16 - 20°C

d1	DN	D	d2	d3	L	I	€/ST/PC
50	40	94	109.5	149.2	102.0	92	47.47
50	50	94	124.6	164.3	102.0	92	47.47
63	50	109	124.6	164.3	112.0	102	48.66
* 75	65	75	145.0	185.0	165.0	147	62.79
* 90	80	90	160.0	200.0	197.0	177	75.02
* 90	100	90	180.0	220.0	198.5	177	75.02
*110	100	110	180.0	220.0	231.0	210	98.19

* zijn niet conform met de tekening.
* ne sont pas conformes au dessin.
* are not compliant with the drawing.



OVERGANGSKOPPELINGEN BUITENDRAAD MAGNUM 3G
RACCORDS D'ADAPTATION TARAUDÉ MÂLE MAGNUM 3G
ADAPTOR MALE THREADED MAGNUM 3G

PN 16 - 20°C

d x R	D	L	I	h	€/ST/PC
16 x 3/8"	39.5	68.0	44.0	21.1	3.07
16 x 1/2"	39.5	58.0	42.1	14.5	3.07
16 x 3/4"	39.5	68.0	44.0	21.1	3.07
20 x 1/2"	46.5	70.4	50.1	14.5	3.11
20 x 3/4"	46.5	70.4	50.1	14.5	3.11
25 x 1/2"	55.0	76.2	57.9	14.5	3.58
25 x 3/4"	55.0	78.2	57.9	14.5	3.58
25 x 1"	55.0	80.3	57.9	16.4	3.58
32 x 3/4"	67.0	88.5	66.0	14.5	4.59
32 x 1"	67.0	90.7	66.0	16.4	4.59
32 x 1 1/4"	67.0	92.4	66.0	18.4	5.07
32 x 1 1/2"	67.0	97.0	67.5	26.7	5.39
40 x 1"	82.0	102.8	78.3	16.4	8.50
40 x 1 1/4"	82.0	104.5	78.3	18.4	8.50
40 x 1 1/2"	82.0	109.0	81.0	26.7	8.50
40 x 2"	82.0	109.0	81.0	31.0	8.50
50 x 1 1/4"	94.0	114.2	87.2	18.4	10.94
50 x 1 1/2"	94.0	115.0	87.2	19.0	10.94
50 x 2"	94.0	119.0	87.2	31.0	10.94
63 x 1 1/2"	109.0	132.0	98.5	26.7	15.82
63 x 2"	109.0	132.0	97.0	22.9	15.82
*75 x 2"	135.0	187.0	147.0	32.0	30.01
*75 x 2 1/2"	135.0	188.5	147.0	33.5	30.01
*75 x 3"	135.0	191.0	147.0	21.5	30.01
*90 x 2"	158.0	217.0	177.0	31.0	42.36
*90 x 2 1/2"	158.0	220.0	177.0	33.5	42.36
*90 x 3"	158.0	222.5	177.0	36.5	42.36
*90 x 4"	158.0	228.0	177.0	43.0	42.36
*110 x 2"	191.0	252.0	210.0	31.0	74.22
*110 x 3"	191.0	259.0	210.0	36.5	74.22
*110 x 4"	191.0	264.5	210.0	43.0	74.22

* zijn niet conform met de tekening.
* ne sont pas conformes au dessin.
* are not compliant with the drawing.

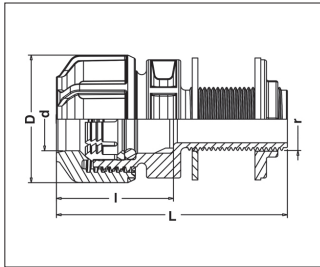


3G ZASP

TANKAANSLUITING MAGNUM 3G
RACCORDS DE RESERVOIR MAGNUM 3G
TANK CONNECTOR MAGNUM 3G

PN 16 - 20°C

d x R	D	L	I	€/ST/PC
25 x 3/4"	55	109	53	9.70
32 x 1"	67	117	60	11.11



3G ZFP

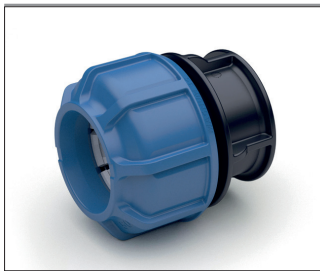
OVERGANGSKOPPELINGEN BINNENDRAAD MAGNUM 3G
RACCORDS D'ADAPTATION TARAUDÉ FEMELLE MAGNUM 3G
ADAPTOR FEMALE THREADED MAGNUM 3G

PN 16 - 20°C

d x R	D	L	I	h	€/ST/PC
16 x 1/2"	39.5	62.0	38.0	22.8	3.22
20 x 1/2"	46.5	67.0	47.3	17.7	3.45
20 x 3/4"	46.5	67.0	47.3	17.7	3.45
20 x 1"	46.5	73.0	44.0	27.4	3.45
25 x 1/2"	55.0	72.0	50.5	17.7	3.58
25 x 3/4"	55.0	72.5	52.8	17.7	3.58
25 x 1"	55.0	80.0	52.5	20.7	3.91
32 x 3/4"	67.0	88.0	63.0	17.5	3.91
32 x 1"	67.0	88.0	64.3	20.4	3.91
40 x 1"	82.0	102.0	73.5	20.6	8.65
** 40 x 1 1/4"	82.0	100.0	73.5	23.2	8.65
** 40 x 1 1/2"	82.0	101.0	71.0	30.2	8.65
** 50 x 1 1/4"	94.0	111.0	77.5	23.0	11.66
** 50 x 1 1/2"	94.0	111.0	77.5	23.0	11.66
** 50 x 2"	94.0	107.0	83.0	34.5	11.66
** 63 x 2"	109.0	131.5	93.8	27.4	16.47
** 75 x 2"	135.0	186.5	147.0	32.5	34.46
** 75 x 2 1/2"	135.0	187.0	147.0	32.5	34.46
** 90 x 2"	158.0	217.5	177.0	32.5	51.05
** 90 x 3"	158.0	222.0	177.0	36.5	51.05
** 90 x 4"	158.0	236.0	177.0	43.5	51.05
**110 x 3"	191.0	256.0	210.0	35.5	79.83
**110 x 4"	191.0	263.5	210.0	43.5	79.83

D 75 - 110: zijn niet conform met de tekening.
D 75 - 110: ne sont pas conformes au dessin.
D 75 - 110: are not compliant with the drawing.

** met versterkingsring in RVS
** avec renforcement en acier inox.
** with stainless steel reinforcing ring

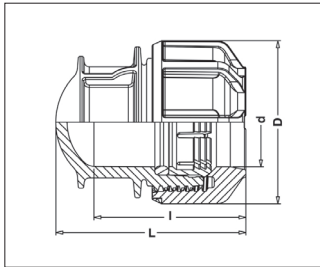


3G ZCP

EINDKAPPEN MAGNUM 3G
BOUCHONS MAGNUM 3G
END CAPS MAGNUM 3G

PN 16 - 20°C

d	D	L	I	€/ST/PC
16	39.5	50.0	40	2.97
20	46.5	58.4	50	3.24
25	55.0	70.2	60	4.06
32	67.0	80.0	70	5.00
40	82.0	95.0	83	8.33
50	94.0	108.0	89	12.27
63	109.0	127.0	102	16.69
* 75	135.0	172.0	147	28.45
* 90	158.0	207.0	177	42.36
*110	191.0	246.0	210	77.23



* zijn niet conform met de tekening / ne sont pas conformes au dessin / are not compliant with the drawing.

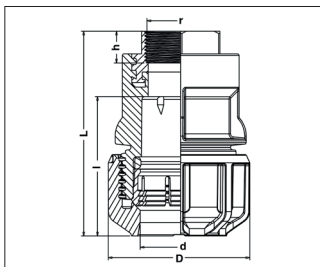


3G ZMPO

OVERGANGSKOPPELINGEN BUITENDRAAD MET MESSING INSERT
RACCORDS D'ADAPTATION TARAUDÉ MÂLE INSERT EN LAITON MAGNUM 3G
ADAPTORS MALE THREADED BRASS INSERT MAGNUM 3G MAGNUM 3G

PN 16 - 20°C

d x R	D	L	I	h	€/ST/PC
20 x 1/2"	46.5	89.0	51.4	12.0	10.61
25 x 3/4"	55.0	102.8	59.6	15.7	13.11
32 x 3/4"	67.0	112.0	69.0	15.7	18.40
32 x 1"	67.0	127.0	69.0	20.0	18.40
32 x 1 1/4"	67.0	130.0	69.0	22.0	25.89
40 x 1"	92.0	134.0	73.5	20.0	28.54
40 x 1 1/4"	82.0	135.0	73.5	22.0	29.90
50 x 1 1/2"	94.0	155.0	92.0	22.0	36.75
63 x 2"	109.0	170.0	100.0	24.0	53.37

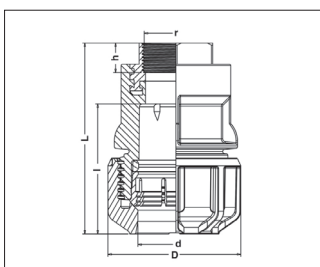


3G ZFPO

OVERGANGSKOPPELINGEN BINNENDRAAD MET MESSING INSERT
RACCORDS D'ADAPTATION TARAUDÉ FEMELLE INSERT EN LAITON
ADAPTORS FEMALE THREADED BRASS INSERT MAGNUM 3G

PN 16 - 20°C

d x R	D	L	I	h	€/ST/PC
20 x 1/2"	46.5	75.6	51.4	17	11.15
25 x 3/4"	55.0	85.8	59.6	17	13.40
32 x 1"	67.0	108.0	69.0	24	18.93
40 x 1 1/4"	82.0	116.0	73.5	25	29.10
50 x 1 1/2"	94.0	135.0	92.0	25	38.88
63 x 2"	109.0	151.0	100.0	25	54.94



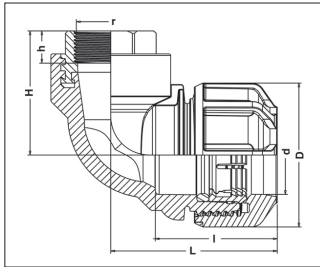


3G ZGFPO

KNIEEN 90° BINNENDRAAD MET MESSING INSERT MAGNUM 3G
COUDES 90° TAVAUDÉ FEMELLE INSERT EN LAITON MAGNUM 3G
90° ELBOWS FEMALE THREADED WITH BRASS INSERT MAGNUM 3G

PN 16 - 20°C

d x R	D	L	I	H	h	€/ST/PC
20 x 1/2"	46.5	60.0	46.0	41.8	17	18.83
25 x 3/4"	55.0	70.0	50.0	48.5	17	22.84
32 x 1"	67.0	82.5	58.0	68.4	24	31.78
40 x 1 1/4"	82.0	98.0	70.0	77.0	25	42.40
50 x 1 1/2"	94.0	107.4	78.3	80.0	25	68.24
63 x 2"	109.0	119.0	88.5	104.5	25	106.48

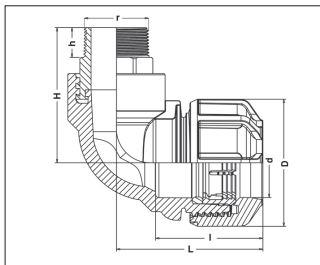


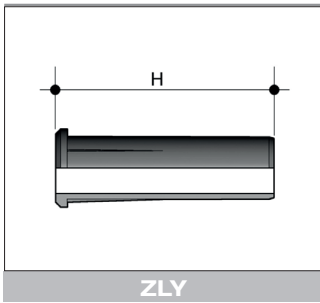
3G ZGMPO

KNIEEN 90° BUITENDRAAD MET MESSING INSERT MAGNUM 3G
COUDES 90° TAVAUDÉ MÂLE INSERT EN LAITON MAGNUM 3G
90° ELBOWS MALE THREADED WITH BRASS INSERT MAGNUM 3G

PN 16 - 20°C

d x R	D	L	I	H	h	€/ST/PC
20 x 1/2"	46.5	60.0	46.0	53.8	13.0	19.80
25 x 3/4"	55.0	70.0	50.0	64.0	15.7	24.00
32 X 3/4"	67.0	82.5	58.0	64.0	17.0	24.00
32 x 1"	67.0	82.5	58.0	88.0	20.0	26.71
40 x 1 1/4"	82.0	98.0	70.0	96.0	22.0	35.59
50 x 1 1/2"	94.0	107.4	78.3	93.0	22.0	71.62
63 x 2"	109.0	119.0	88.5	123.5	24.0	111.80





VERSTEVIGINGSPLUG VOOR BUIZEN
BUSELURE DE RENFORCEMENT POUR TUYAUX
REINFORCING BUSH AND TIGHTENING KEYS FOR PIPES

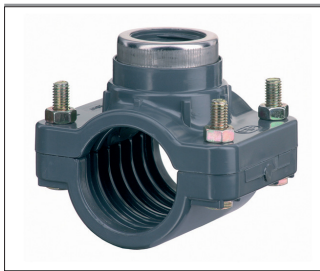
PE 80 - PE 100 SDR 11 E PE-X

d	H	€/ST/PC
20	67.0	0.84
25	75.0	1.16
32	82.5	1.74
40	98.0	3.19
50	99.0	3.19
63	108.5	3.69

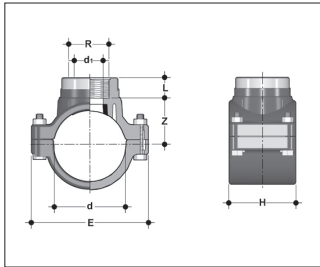


SLEUTEL VOOR MAGNUM 3G KOPPELINGEN
CLÉ POUR RACCORDS MAGNUM 3G
KEY FOR MAGNUM 3G COUPLINGS

d	€/ST/PC
16-32	65.06
40-63	79.40
75-110	151.09



UIFV


 AANBOORZADELS
 COLLIERS DE PRISE EN CHARGE
 CLAMP SADDLES

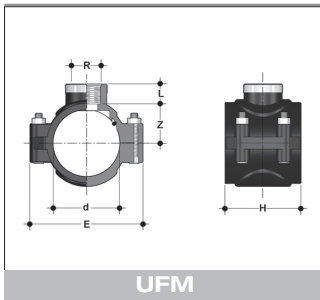
PN 16

Aftakking met cilindrische binnendraad en met roestvrij stalen ring versterkt, compleet geleverd met verzinkte stalen bouten en pakking in NBR.

Prise latérale femelle fileté et renforcée par une bague d'acier inoxydable, livrés avec boulons en acier zingué et joint NBR.

Branch with interior parallel thread, reinforced with a stainless steel ring, delivered with zinc plated steel bolts and NBR gasket.

D x G	D1	L	E	H	Z	G/ST/PC	€/ST/PC
32 x 1/2"	18.0	18	82	68	28.0	228	18.17
32 x 3/4"	22.0	19	82	68	28.0	242	18.17
40 x 3/4"	22.0	19	94	78	33.0	339	21.80
40 x 1"	25.0	22	94	78	33.0	348	21.80
50 x 1/2"	18.0	18	104	80	38.0	328	26.50
50 x 3/4"	22.0	19	104	80	38.0	342	26.50
50 x 1"	28.0	22	104	80	38.0	379	26.50
63 x 1/2"	17.5	18	116	105	47.5	562	28.33
63 x 3/4"	22.0	19	116	105	47.5	571	28.33
63 x 1"	28.0	22	116	105	47.5	582	28.33
63 x 1 1/2"	30.0	25	116	105	47.5	615	28.33
75 x 3/4"	22.0	19	134	105	53.5	683	32.53
75 x 1"	29.5	22	134	105	53.5	692	32.53
75 x 1 1/2"	31.0	25	134	105	53.5	725	32.53
75 x 2"	31.0	30	134	105	53.5	780	32.53
90 x 3/4"	22.0	19	152	105	61.0	764	42.80
90 x 1"	28.0	22	152	105	61.0	778	42.80
90 x 1 1/2"	40.0	25	152	105	61.0	805	42.80
90 x 2"	40.0	30	152	105	61.0	877	42.80
110 x 3/4"	22.0	19	176	105	72.0	982	49.20
110 x 1"	28.0	22	176	105	72.0	993	49.20
110 x 1 1/2"	40.0	25	176	105	72.0	1017	49.20
110 x 2"	40.0	30	176	105	72.0	1081	49.20
125 x 1"	25.0	22	190	112	79.5	1260	58.33
125 x 1 1/2"	40.0	25	190	112	79.5	1319	58.33
125 x 2"	50.0	30	190	112	79.5	1412	58.33
140 x 1"	25.0	22	214	114	87.0	1471	72.30
140 x 1 1/2"	40.0	25	214	114	87.0	1526	72.30
140 x 2"	50.0	30	214	114	87.0	1607	72.30
160 x 1"	28.0	22	238	120	98.0	1453	88.07
160 x 1 1/2"	40.0	25	238	120	98.0	1481	88.07
160 x 2"	50.0	30	238	120	98.0	1523	88.07
200 x 1 1/2"	40.0	25	300	133	118.0	2066	133.67
200 x 2"	52.0	30	300	133	118.0	2119	133.67
200 x 3"	52.0	36	300	133	118.0	2154	133.67
225 x 1 1/2"	40.0	25	333	125	132.0	2610	165.07
225 x 2"	50.0	30	333	125	132.0	2650	165.07
225 x 3"	74.0	36	333	125	132.0	2735	165.07



UFM

AANBOORZADELS
COLLIERS DE PRISE EN CHARGE
CLAMP SADDLES

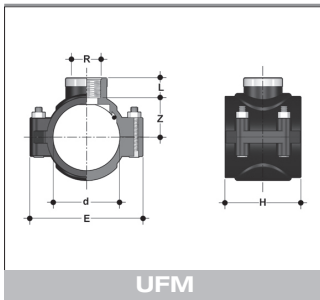
Enkele aftakking met cilindrische binnendraad. Alle aftakkingen zijn versterkt met een metalen ring. Compleet geleverd met bouten in verzinkt staal. Afdichtingsring in NBR. Ook leverbaar met bouten in roestvrij staal.

Dérivation simple à filetage femelle cylindrique. Bague métallique de renforcement sur toutes les dérivation. Livrés avec boulons en acier zingué. Joint en NBR. Livrable en option avec boulons en acier inoxydable.

Single branch connections with interior, parallel thread. Metal reinforcing ring on every threaded branch. Gasket made of NBR. Also available with stainless steel bolts.

D x R	PN	L	Z	E	H	b	G/ST/PC	€/ST/PC
20 x 1/2"	10	17.0	16.0	62	37.5	2 M6 x 35	60	3.63
25 x 1/2"	10	18.5	18.5	69	43.0	2 M6 x 35	70	3.63
25 x 3/4"	10	18.5	18.5	69	43.0	2 M6 x 35	75	3.63
32 x 1/2"	10	18.5	22.5	78	45.0	2 M8 x 45	99	3.91
32 x 3/4"	10	18.5	22.5	78	45.0	2 M8 x 45	103	3.91
32 x 1"	10	18.5	22.5	91	60.0	2 M8 x 45	130	3.91
40 x 1/2"	10	22.0	27.0	84	51.0	2 M8 x 45	119	4.64
40 x 3/4"	10	22.0	27.0	84	51.0	2 M8 x 45	125	4.64
40 x 1"	10	22.0	27.0	84	51.0	2 M8 x 45	136	4.64
50 x 1/2"	10	22.0	32.5	87	53.0	2 M8 x 45	119	5.24
50 x 3/4"	10	22.0	32.5	87	53.0	2 M8 x 45	123	5.24
50 x 1"	10	22.0	32.5	87	53.0	2 M8 x 45	132	5.24
63 x 1/2"	10	17.0	40.0	100	71.0	4 M8 x 50	227	7.75
63 x 3/4"	10	20.0	40.0	100	71.0	4 M8 x 50	229	7.75
63 x 1"	10	22.0	40.0	100	71.0	4 M8 x 50	238	7.75
63 x 1 1/4"	10	24.0	40.0	100	71.0	4 M8 x 50	246	7.75
63 x 1 1/2"	10	24.0	40.0	100	71.0	4 M8 x 50	253	7.75
75 x 1/2"	10	17.0	44.5	120	91.0	4 M8 x 50	312	9.77
75 x 3/4"	10	20.0	44.5	120	91.0	4 M8 x 50	304	9.77
75 x 1"	10	22.0	44.5	120	91.0	4 M8 x 50	311	9.77
75 x 1 1/4"	10	24.0	44.5	120	91.0	4 M8 x 50	319	9.77
75 x 1 1/2"	10	24.0	44.5	120	91.0	4 M8 x 50	323	9.77
75 x 2"	10	26.0	44.5	120	91.0	4 M8 x 50	337	9.77
90 x 1/2"	10	17.0	52.0	137	91.0	4 M8 x 60	324	11.17
90 x 3/4"	10	20.0	52.0	137	91.0	4 M8 x 60	336	11.17
90 x 1"	10	22.0	52.0	137	91.0	4 M8 x 60	345	11.17
90 x 1 1/4"	10	24.0	52.0	137	91.0	4 M8 x 60	352	11.17
90 x 1 1/2"	10	24.0	52.0	137	91.0	4 M8 x 60	360	11.17
90 x 2"	10	26.0	52.0	137	91.0	4 M8 x 60	368	11.17
110 x 1/2"	10	17.0	65.0	155	98.5	4 M8 x 60	377	12.66
110 x 3/4"	10	20.0	65.0	155	98.5	4 M8 x 60	379	12.66
110 x 1"	10	22.0	65.0	155	98.5	4 M8 x 60	386	12.66
110 x 1 1/4"	10	24.0	65.0	155	98.5	4 M8 x 60	390	12.66
110 x 1 1/2"	10	24.0	65.0	155	98.5	4 M8 x 60	399	12.66
110 x 2"	10	24.0	65.0	155	98.5	4 M8 x 60	411	12.66
110 x 3"	6	33.0	65.0	155	98.5	4 M8 x 60	545	12.66

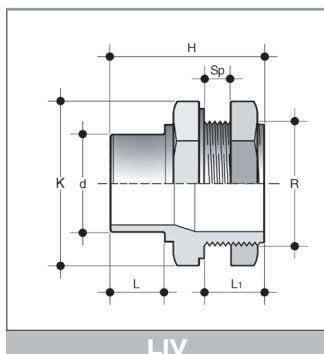
vervolg op volgende pagina
suite à la page suivante
continued on next page



AANBOORZADELS
COLLIERS DE PRISE EN CHARGE
CLAMP SADDLES

Vervolg / suite / continued

D x R	PN	L	Z	E	H	b	G/ST/PC	€/ST/PC
125 x 3/4"	10	20.0	73.5	168	101.0	4 M8 x 50	510	18.37
125 x 1"	10	22.0	73.5	168	101.0	4 M8 x 50	513	18.37
125 x 1 1/4"	10	24.0	73.5	168	101.0	4 M8 x 50	520	18.37
125 x 1 1/2"	10	24.0	73.5	168	101	4 M8 x 50	529	18.37
125 x 2"	10	24.0	73.5	168	101	4 M8 x 50	545	18.37
140 x 1"	10	22.0	80.0	189	134	6 M8 x 60	928	29.22
140 x 1 1/4"	10	24.0	80.0	189	134	6 M8 x 60	932	29.22
140 x 1 1/2"	10	24.0	80.0	189	134	6 M8 x 60	935	29.22
140 x 2"	10	24.0	80.0	189	134	6 M8 x 60	945	29.22
140 x 2 1/2"	6	24.0	80.0	189	134	6 M8 x 60	960	29.22
140 x 3"	6	33.0	80.0	189	134	6 M8 x 60	1010	29.22
160 x 3/4"	10	22.0	88.0	213	137	6 M8 x 60	1002	38.42
160 x 1"	10	22.0	88.0	213	137	6 M8 x 60	1005	38.42
160 x 1 1/4"	10	24.0	88.0	213	137	6 M8 x 60	1030	38.42
160 x 1 1/2"	10	24.0	88.0	213	137	6 M8 x 60	1043	38.42
160 x 2"	10	28.5	88.0	213	137	6 M8 x 60	1065	38.42
160 x 3"	6	36.0	88.0	213	137	6 M8 x 60	1150	38.42
180 x 1 1/4"	6	24.0	115.0	265	171	6 M10 x 80	2310	160.17
180 x 1 1/2"	6	24.0	115.0	265	171	6 M10 x 80	2330	160.17
180 x 2"	6	24.0	115.0	265	171	6 M10 x 80	2390	160.17
180 x 3"	6	33.0	115.0	265	171	6 M10 x 80	2470	160.17
180 x 4"	6	42.0	115.0	265	171	6 M10 x 80	2590	160.17
200 x 1 1/4"	6	24.0	115.0	265	171	6 M10 x 80	1970	142.32
200 x 1 1/2"	6	24.0	115.0	265	171	6 M10 x 80	1885	142.32
200 x 2"	6	24.0	115.0	265	171	6 M10 x 80	1910	142.32
200 x 3"	6	33.0	115.0	265	171	6 M10 x 80	2010	142.32
200 x 4"	6	42.0	115.0	265	171	6 M10 x 80	2130	142.32
225 x 1 1/4"	4	24.0	127.5	280	173	6 M10 x 80	2060	167.40
225 x 1 1/2"	4	24.0	127.5	280	173	6 M10 x 80	2080	167.40
225 x 2"	4	24.0	127.5	280	173	6 M10 x 80	2105	167.40
225 x 3"	4	33.0	127.5	280	173	6 M10 x 80	2230	172.23
225 x 4"	4	42.0	127.5	280	173	6 M10 x 80	2350	172.23
250 x 1 1/4"	4	24.0	142.0	313	181	6 M10 x 80	2530	194.87
250 x 1 1/2"	4	24.0	142.0	313	181	6 M10 x 80	2550	194.87
250 x 2"	4	24.0	142.0	313	181	6 M10 x 80	2580	194.87
250 x 3"	4	33.0	142.0	313	181	6 M10 x 80	2670	199.72
250 x 4"	4	42.0	142.0	313	181	6 M10 x 80	2790	199.72
280 x 1 1/4"	4	24.0	171.0	385	190	6 M10 x 80	4000	271.49
280 x 1 1/2"	4	24.0	171.0	385	190	6 M10 x 80	4020	271.49
280 x 2"	4	24.0	171.0	385	190	6 M10 x 80	4050	271.49
280 x 3"	4	33.0	171.0	385	190	6 M10 x 80	4130	271.49
280 x 4"	4	42.0	171.0	385	190	6 M10 x 80	4250	271.49
315 x 1 1/4"	4	24.0	171.0	385	190	6 M10 x 80	3055	245.17
315 x 1 1/2"	4	24.0	171.0	385	190	6 M10 x 80	3070	245.17
315 x 2"	4	24.0	171.0	385	190	6 M10 x 80	3100	245.17
315 x 3"	4	33.0	171.0	385	190	6 M10 x 80	3220	245.17
315 x 4"	4	42.0	171.0	385	190	6 M10 x 80	3350	245.17



TANKAANSLUITINGEN TYPE A
RACCORDS DE RESERVOIR TYPE A
TANK CONNECTORS TYPE A

Eén zijde uitwendige lijmof, andere zijde cilindrische buitendraad met wartelmoer.
Afdichting : vlakke EPDM. FPM dichtingen : zie Toebehoren.

Un côté mâle à coller, l'autre côté mâle à filetage cylindrique avec écrou.
Etanchéité : joint plat EPDM. Joints en FPM : voir chapitre Accessoires.

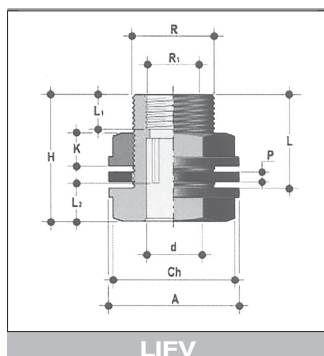
One end spigot for solvent welding, other end male parallel threaded with union nut.
Sealing : flat EPDM ring. FPM gasket : see chapter Accessories.

d	R	L	L ₁	H	Sp	K	€/ST/PC
25	1"	19	26	60	17	46	10.53
32	1 1/4"	22	28	66	19	55	13.06

Sp : max. wanddikte.

Sp : épaisseur max. de la paroi du réservoir.

Sp : max wall thickness of thank.



TANKAANSLUITINGEN
RACCORDS DE RESERVOIR
TANK CONNECTORS

Eén zijde inwendige lijmof, andere zijde cilindrische binnendraad en buitendraad, met wartelmoer. Afdichting: vlakke EPDM of FPM dichting.

Un côté femelle à coller, l'autre côté à filetage cylindrique femelle et male, avec écrou.
Etanchéité: joint plat EPDM ou FPM.

One female end for solvent welding, other end parallel threaded female and male, with union nut. Sealing: flat ring EPDM or FPM.

PN 16

D	R	R1	d	A	Ch	L	L1	L2	H	P	K	g	€/STPC	
													EPDM	FPM
16	3/4"	1/2"	16	44	33	47	15.0	14	60.5	3	13.5	53	16.42	17.85
20	1"	3/4"	20	58	46	49	16.3	16	65.0	3	16.0	108	20.65	23.58
25	1 1/4"	1"	25	62	50	52	19.1	19	70.0	3	18.0	142	23.54	26.66
32	1 1/2"	1"	32	76	60	54	19.1	22	73.0	3	19.0	192	29.37	35.97
40	2"	1 1/2"	40	92	79	60	21.4	26	81.0	3	20.8	337	44.12	51.19



LIV

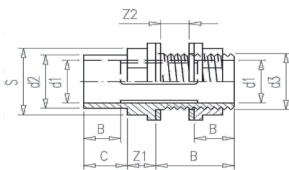
TANKAANSLUITINGEN
RACCORDS DE RESERVOIR
TANK CONNECTORS

Grote diameters, lijm/draad aansluiting.
Afdichting: vlakke EPDM dichting.

Grand diamètres, connection à colle/filleter.
Etanchéité: joint plat EPDM.

Big diameters, solvent/threaded.
Sealing: flat ring EPDM.

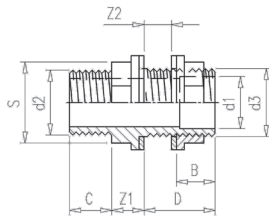
Type A



Type A

d1	d2	d3	Z1	Z2	B	C	D	S	€/ST/PC
50	63	2	21	0-21	31	38	52	69	31.25
50	63	2 1/4	21	0-21	31	38	52	76	31.25
63	75	2 1/2	23	0-23	38	44	53	85	61.64
75	90	3	26	0-20	44	51	56	100	73.63
90	110	M113	32	0-20	51	61	62	125	101.19
110	125	M113	36	0-22	61	69	66	147	123.23

Type B



Type B

d1	d2	d3	Z1	Z2	B	C	D	S	€/ST/PC
50	2"	2	21	0-21	31	27	52	69	31.25
50	2"	2 1/4	21	0-21	31	27	52	76	31.25
63	1 1/2"	2 1/2	23	0-23	38	31	53	85	61.64
75	3"	3	26	0-20	44	34	56	100	73.63
90	4"	M113	32	0-20	51	40	62	125	101.19


**TANKAANSLUITINGEN
RACCORDS DE RESERVOIR
TANK CONNECTORS**

Eén zijde uitwendige lijm/lasmof, andere zijde cilindrische binnen- en buitendraad met wartelmoer.

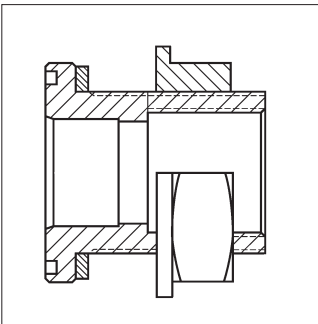
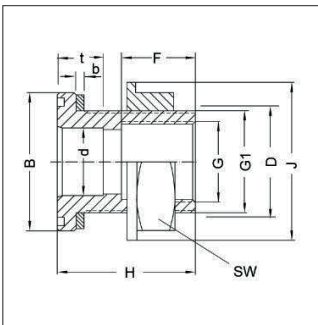
Afdichting : vlakke EPDM. FPM dichtingen : zie Toebehoren.

Un côté mâle à coller/souder, l'autre côté mâle à filetage cylindrique femelle et male avec écrou.

Etanchéité : joint plat EPDM. Joints en FPM : voir chapitre Accessoires.

One female end spigot for solvent welding, other end female and male parallel threaded with union nut.

Sealing : flat EPDM ring. FPM gasket : see chapter Accessories.



d	G	G1	B	F	H	J	SW	t	
								PP	PVC
16	3/8"	3/4"	36	13	40	36	32	13.0	14.0
20	1/2"	1"	50	17	45	50	41	14.5	16.0
20	3/4"	1"	50	18	45	50	41	-	16.0
25	3/4"	1"	50	18	45	50	41	16.0	-
25	1"	1 1/4"	60	21	60	60	55	-	19.0
32	1"	1 1/4"	60	21	60	60	55	18.0	-
40	1 1/2"	2"	80	23	74	93	80	27.5	25.0
63	2"	2 3/4"	110	27	80	110	100	31.0	37.5

d	G	G1	€/ST/PC PVC		€/ST/PC PP	
			EPDM	FPM	EPDM	FPM
16	3/8"	3/4"	22.07	31.88	26.47	38.47
20	1/2"	1"	23.12	32.30	28.17	39.12
20	3/4"	1"	23.12	32.30	-	-
25	3/4"	1"	-	-	28.17	39.12
25	1"	1 1/4"	24.68	35.77	28.17	39.12
32	1"	1 1/4"	-	-	30.10	43.53
40	1 1/2"	2"	28.39	43.25	34.22	52.57
63	2"	2 3/4"	39.12	69.20	47.52	83.79



EPDM

TANKAANSLUITINGEN
RACCORDS DE RESERVOIR
TANK CONNECTORS

Snelkoppeling voor tanks in PE en staal , te bevestigen vanaf buitenzijde tank. Dichting in EPDM of FPM.

Raccord rapide à embrayage pour cuves PE et acier , à introduire de l'extérieur du reservoir. Joint en EPDM ou FPM.

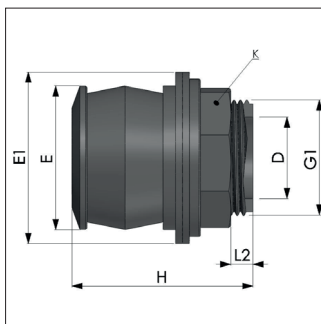
Quick coupling fitting for tanks in PE and steel , to be inserted from outside the tank. Gasket in EPDM or FPM.



FPM

PN4

G1	E	E1	D	H	L2	K	€/ST/PC	
							EPDM	FPM
1/2"	29	37	13.0	49	5	28	14.57	26.41
3/4"	35	43	18.0	52	4	32	15.16	27.42
1"	43	53	24.0	56	7	41	15.69	30.42
1 1/4"	52	62	29.5	65	6	50	21.29	39.58
1 1/2"	59	68	34.5	75	16	57	24.09	41.89
2"	70	88	45.5	91	31	70	27.31	46.22



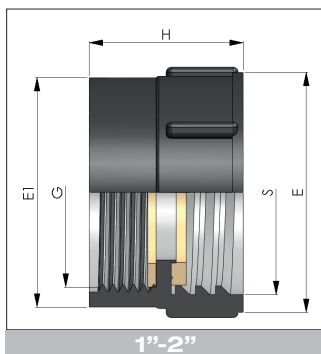
IBC

IBC FITTING
RACCORD IBC
IPC ADAPTOR

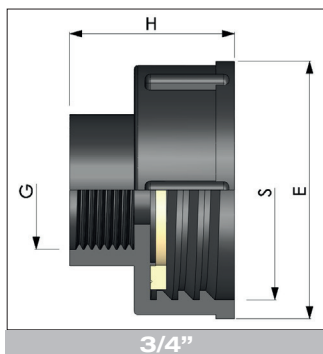
Overgangsfitting voor IBC container , connectie DIN513 S60x6 naar binnendraad UNI ISO 228/1. Dichting EPDM.

Raccord de passage pour reservoir IBC , connection DIN513 S60x6 à filetage femelle UNI ISO 228/1. Joint EPDM

Adaptor fittings for IBC containers , connection DIN513 S60x6 to female thread UNI ISO 228/1. EPDM gasket.



1''-2''



3/4''

G	H	E	S	T	€/ST/PC
3/4"	44	72	S60x6	4.5	11.51
1"	46	72	S60x6	4.5	12.85
2"	48	72	S60x6	4.5	15.18

